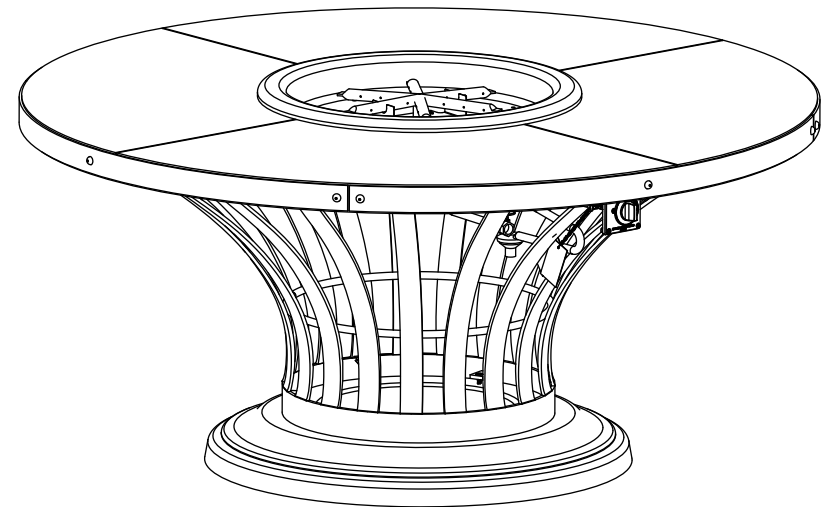
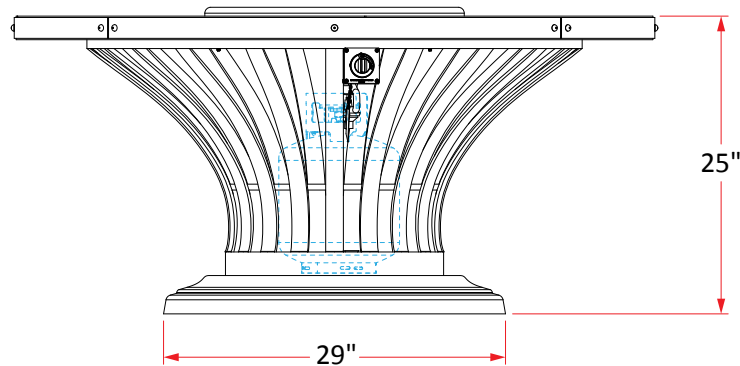
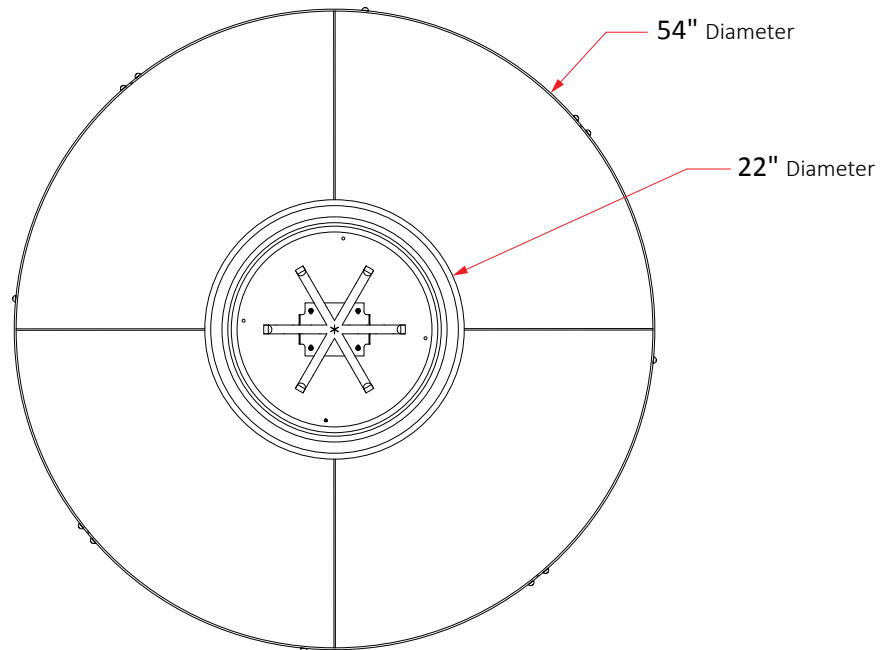


# Fiesta Firetable

Model #: 770-xx-11-V2xC



**AMERICAN**  
**FYRE DESIGNS™**  
outdoor Products Collection

## #770- Fiesta Firetable Specs

Dimensions:	54" diameter x 25"h
Weight:	350 lbs
Key Valve (V2) BTU's:	60,000 (NG)/50,000 (LP)

*Accepts a 5 gal. Propane tank inside the unit (not included).*