



LOVE AT FIRST LIGHT

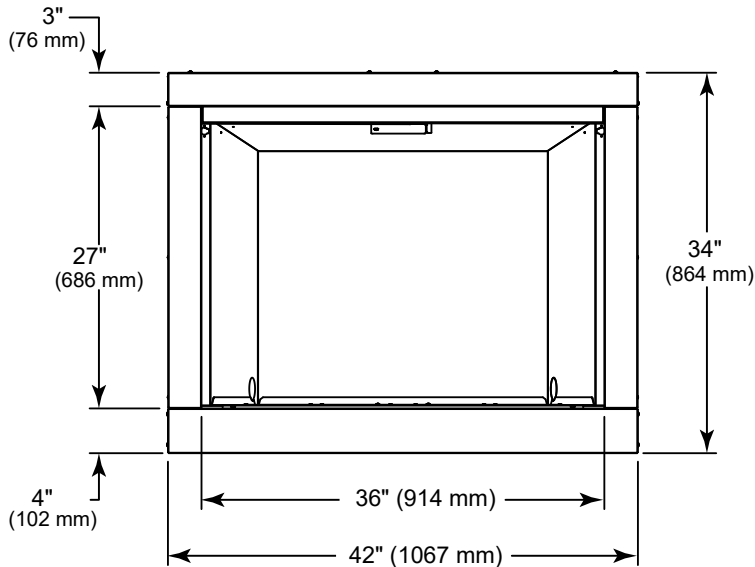
Please consult the manufacturer's installation manual for all details and requirements before making a final design layout decision.

# Attribute 36

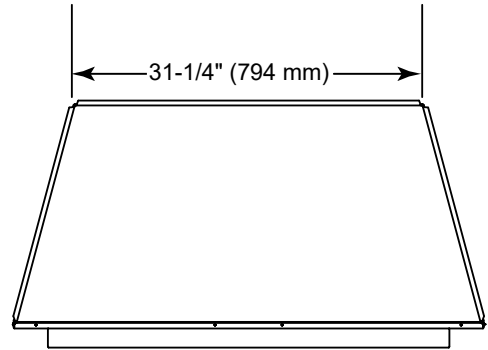
## Vent Free Gas Firebox

MODEL	FRONT WIDTH		BACK WIDTH		HEIGHT		DEPTH		VIEWING AREA
	Actual	Framing	Actual	Framing	Actual	Framing	Actual	Framing	
ACUF36	42"	42-1/2"	31-1/4"	42-1/2"	34"	34-1/4"	20"	19-3/4"	36" x 27"

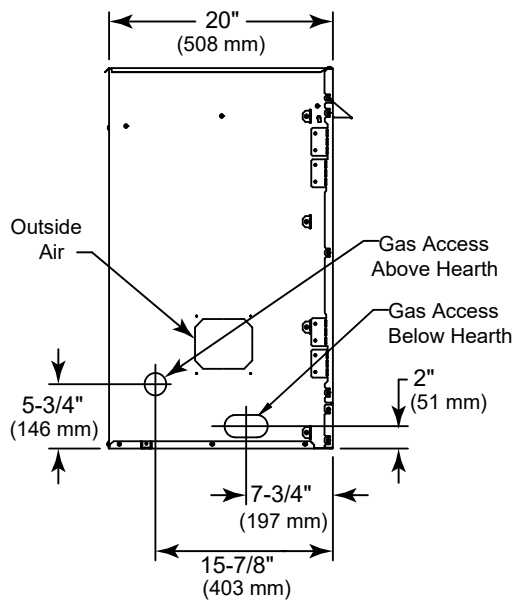
FRONT VIEW



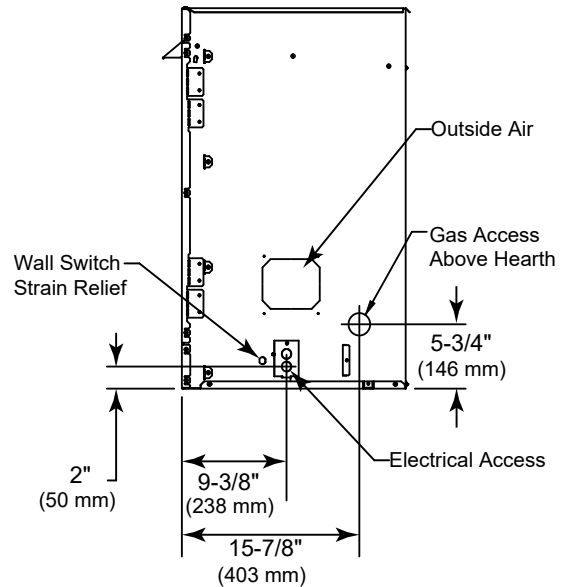
TOP VIEW



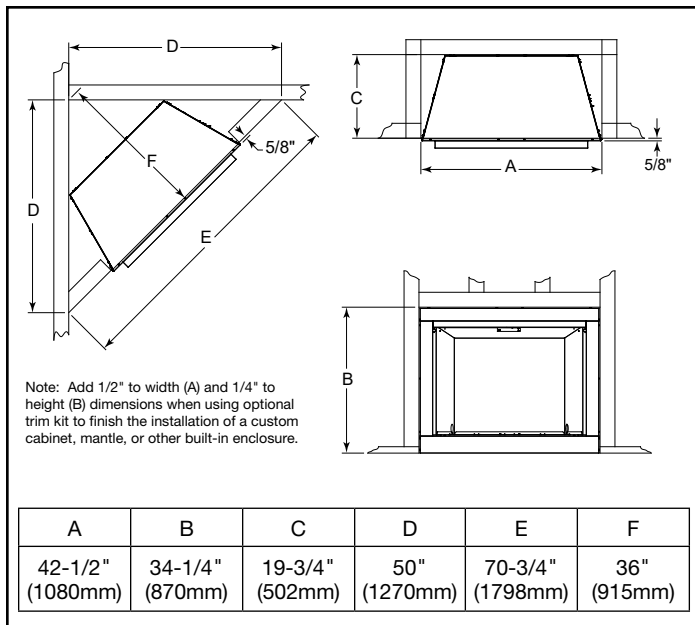
LEFT SIDE VIEW



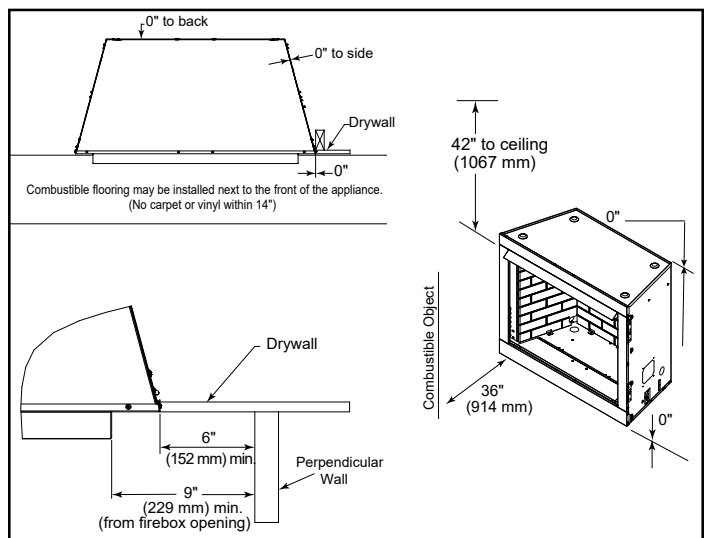
RIGHT SIDE VIEW



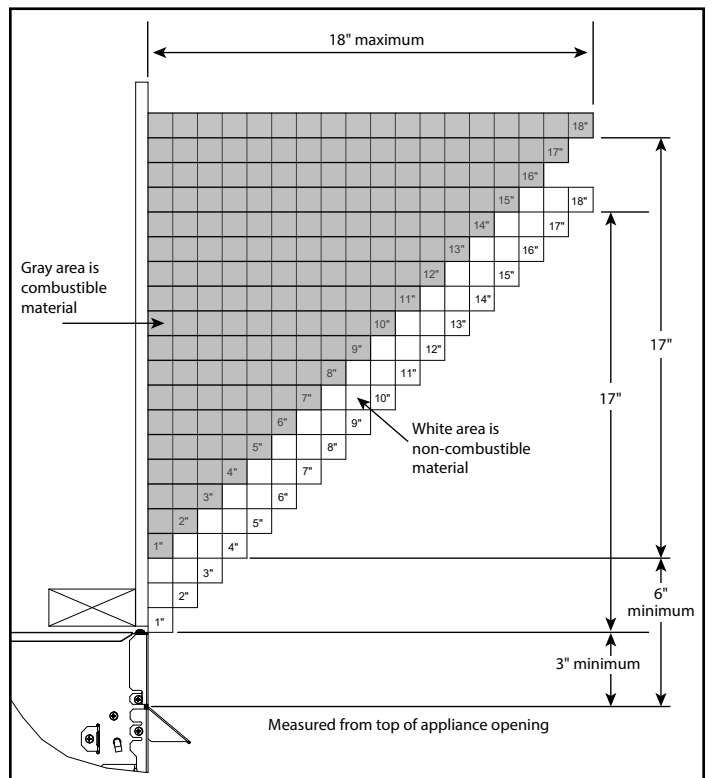
FRAMING DIMENSIONS



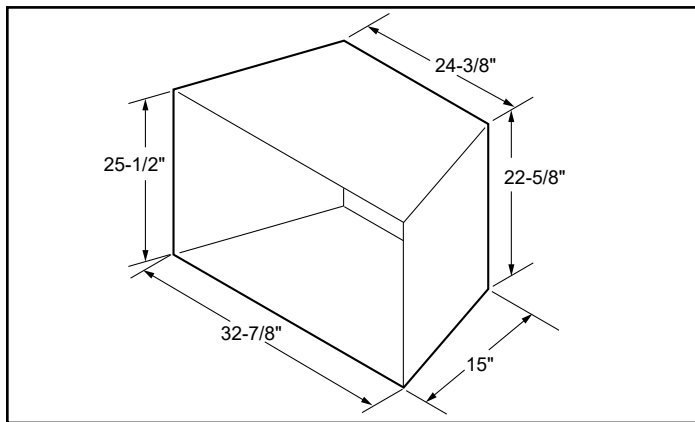
CLEARANCES TO COMBUSTIBLES



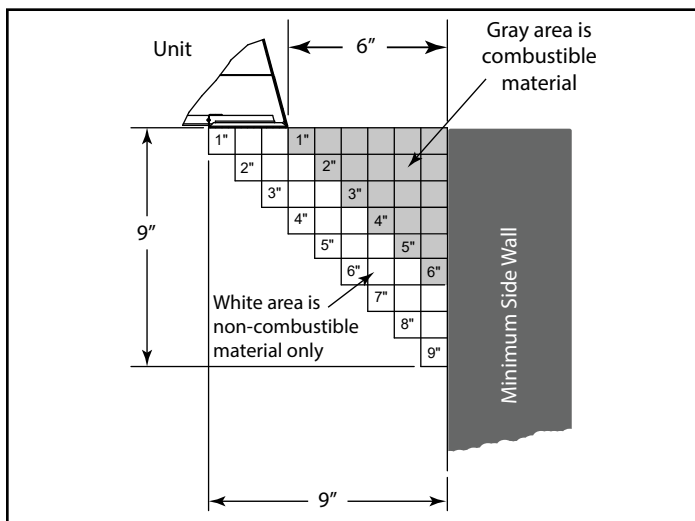
MANTEL CLEARANCES



MINIMUM HEARTH DIMENSIONS



MANTLE LEG CLEARANCES



PRODUCT LISTING CODES	
US	ANSI Z223.1 / NFPA54 ANSI Z21.11
	CSA Design Certified

Product information provided is not complete and is subject to change without notice. Product installation must adhere strictly to instructions accompanying product to avoid risk of fire and potential injury.

Additional information can be found online at [www.monessenhearth.com](http://www.monessenhearth.com)



LOVE AT FIRST LIGHT

(877) 863-4350 | [monessenhearth.com](http://monessenhearth.com)