

Smart Burner Collection

84" RC Smart Burner



Black



Included Accessories



Lighting Rod



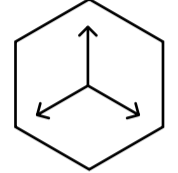
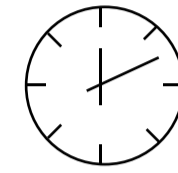
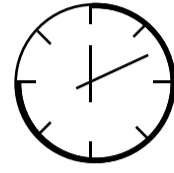
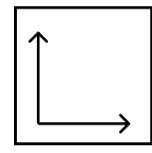
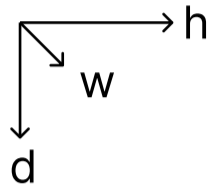
Lighter



Funnel

Smart Burner Collection

84" RC Smart Burner



Dimensions H x W x D mm/in	Fuel Capacity	Heats on Average (indoors)	Fuel Consumption	Thermal Output Net (MAX)	Approx. Burn Time	Minimum Room Size (per burner)
168 × 2134 × 193 6.6 × 84 × 7.6	21.6L	Over 161m ² [1733 ft ²]	2.40L per hour	22,900 BTU - 59,700 BTU (17.5 kW.h)	9 hours	400 sq. ft.

Awards

2010 Winner Outdoor Hearth Products Vesta Awards

Application

Indoor & Outdoor

Burner Colour

Stainless Steel
 Black

Materials

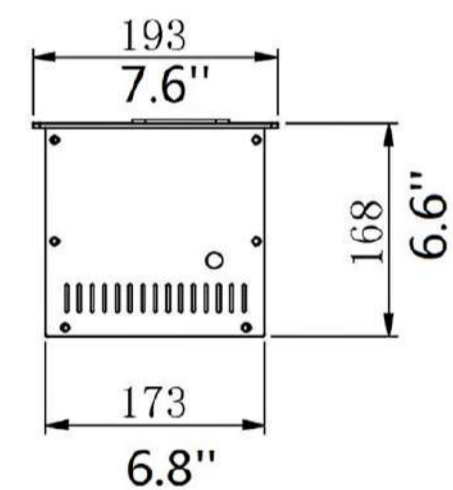
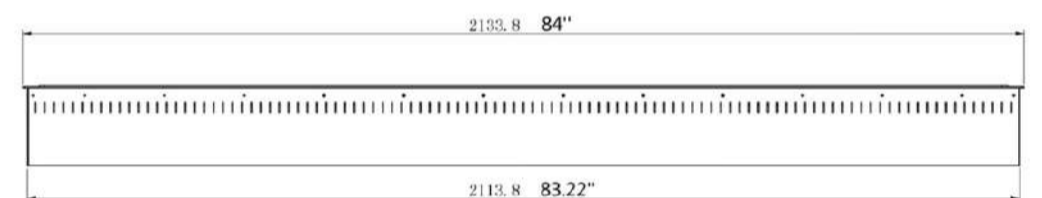
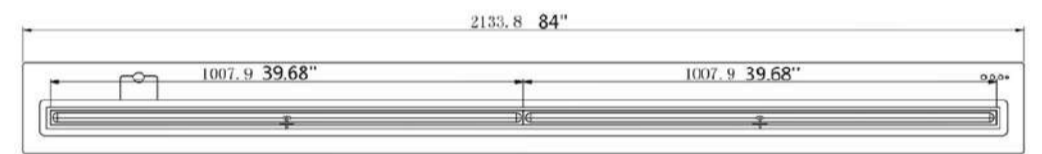
304 Stainless Steel Construction
Insulated Bottom Tray

Remote Info

- 6 Adjustable Heat Settings
- Safety Sensors
- WiFi Control Smartphone App
- Automatic Fuel Refill System

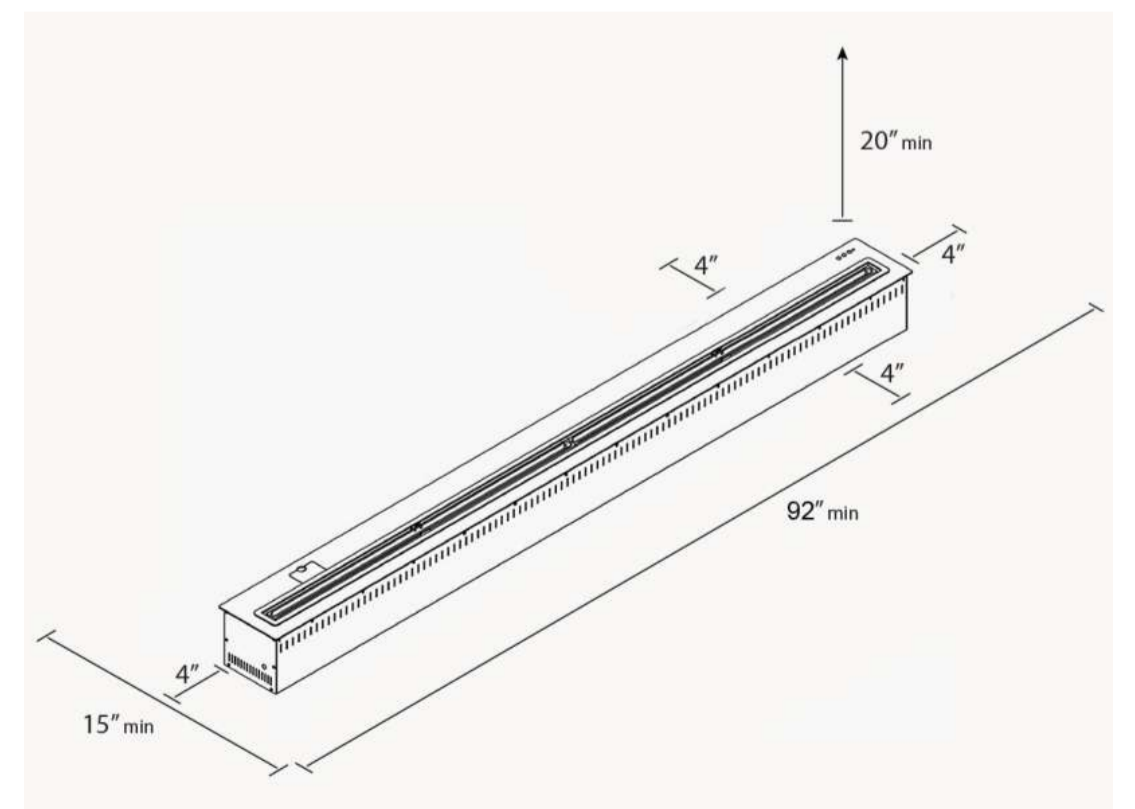
Fuel Type

Bio Ethanol Fuel



Inserting within a firebox setting:

The Bio Flame 84" RC BURNER can only be fitted into a non-combustible firebox that has minimum clearances of 92"W x 20"H x 15"D



Lifetime Warranty

FOR MORE INFORMATION PLEASE REFERENCE THE CLEARANCE & INSTALLATION MANUAL

*Dimensions may vary by 2% (plus or minus) due to material attributes. Template not provided. The Bio Flame recommends using the actual fireplace or burner model when making final cut out

