

# Burner Collection

## 5L Burner

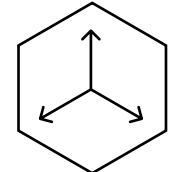
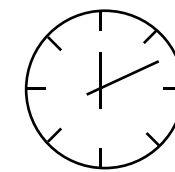
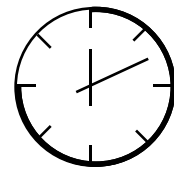
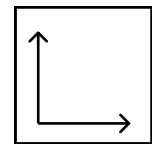
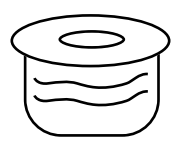
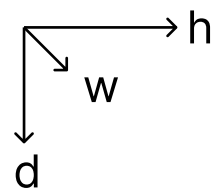


### Included Accessories

---



# Burner Collection 5L Burner



Dimensions H x W x D mm/in	Fuel Capacity	Heats on Average (indoors)	Fuel Consumption	Thermal Output Net (MAX)	Approx. Burn Time	Minimum Room Size (per burner)
102 × 285 × 285 4.0 × 11.25 × 11.25	5.0L	Over 58m <sup>2</sup> [624 ft <sup>2</sup> ]	0.3L per hour	15,500 BTU/h 4.5 Kw	8-10 hours	150 sq. ft.

## Awards

2010 Winner Outdoor Hearth Products  
Vesta Awards

## Application

Indoor & Outdoor

## Burner Colour

 Stainless Steel

## Materials

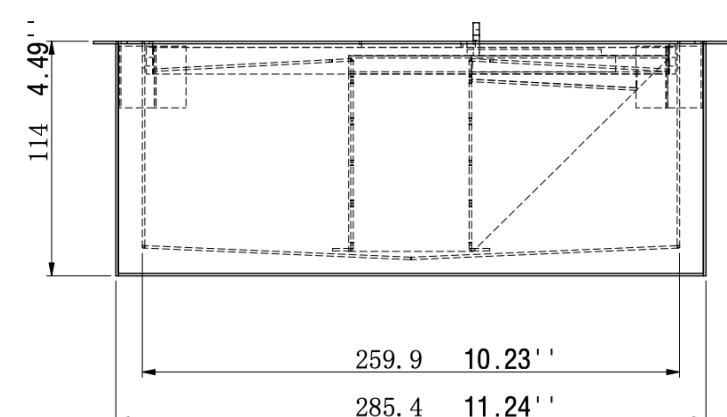
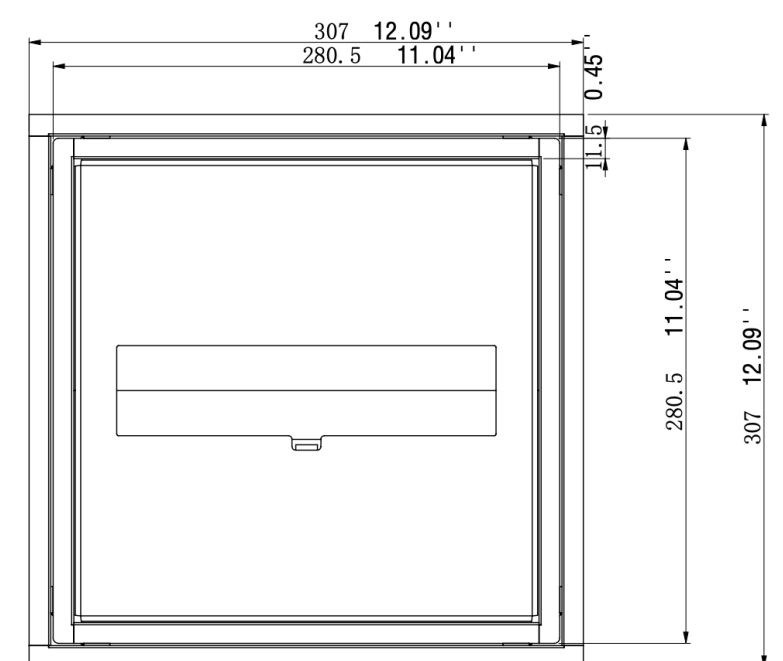
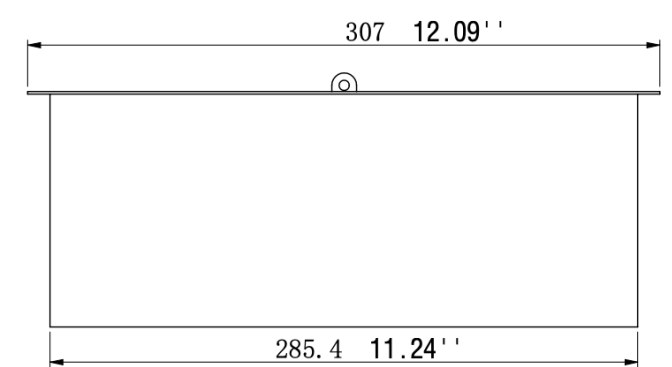
Grade 304 Stainless Steel Construction

## Approx. Weight

7 lbs

## Fuel Type

Bio Ethanol Fuel

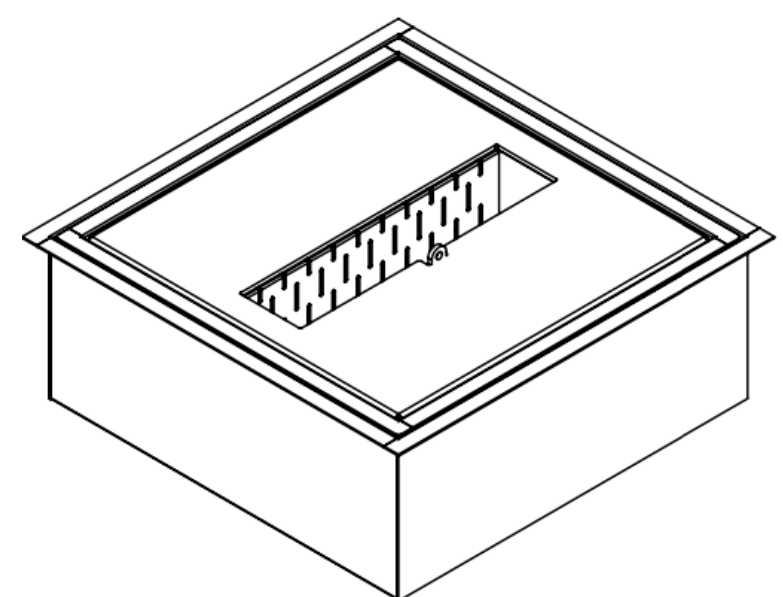


### Inserting within a firebox setting:

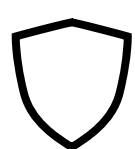
The Bio Flame 5L BURNER can only be fitted into a non-combustible firebox that has minimum clearances of Left 4.0" (102mm) Right 4.0" (102mm) Rear 4.0" (102mm) Top 24" (610).

### Custom made fireboxes must:

- Be made out of a non-combustible material such as stainless steel
- \*When recessing the tray into a non-combustible base with no firebox, the overhead clearance required is 60"MIN. to the nearest combustible\*



Global Compliance  
All burners are UL Listed in accordance with ANSI/UL1370 in the USA and comply with the ACCC Safety Mandate for Australia.



Lifetime Warranty

**FOR MORE INFORMATION PLEASE REFERENCE THE CLEARANCE & INSTALLATION MANUAL**

\*Dimensions may vary by 2% (plus or minus) due to material attributes. Template not provided. The Bio Flame recommends using the actual fireplace or burner model when making final cut out

