

# Grate Kit Collection

## 24" Grate Kit

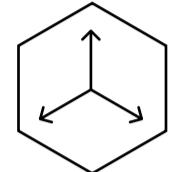
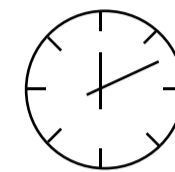
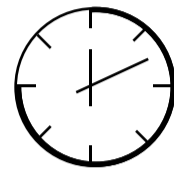
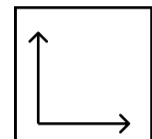
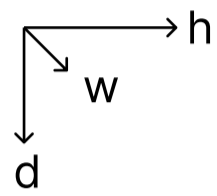


### Included Accessories



# Grate Kit Collection

## 24" Grate Kit



Dimensions H x W x D mm/in	Fuel Capacity	Heats on Average (indoors)	Fuel Consumption	Thermal Output Net (MAX)	Approx. Burn Time	Minimum Room Size (per burner)
160 × 755 × 400 6.3 × 29.7 × 15.7	7.0L	Over 79m <sup>2</sup> [850 ft <sup>2</sup> ]	0.64L per hour	21,500 BTU/h 6.3 Kw	11 hours	150 sq. ft.

### Awards

2010 Winner Outdoor Hearth Products Vesta Awards

### Application

Indoor & Outdoor

### Materials

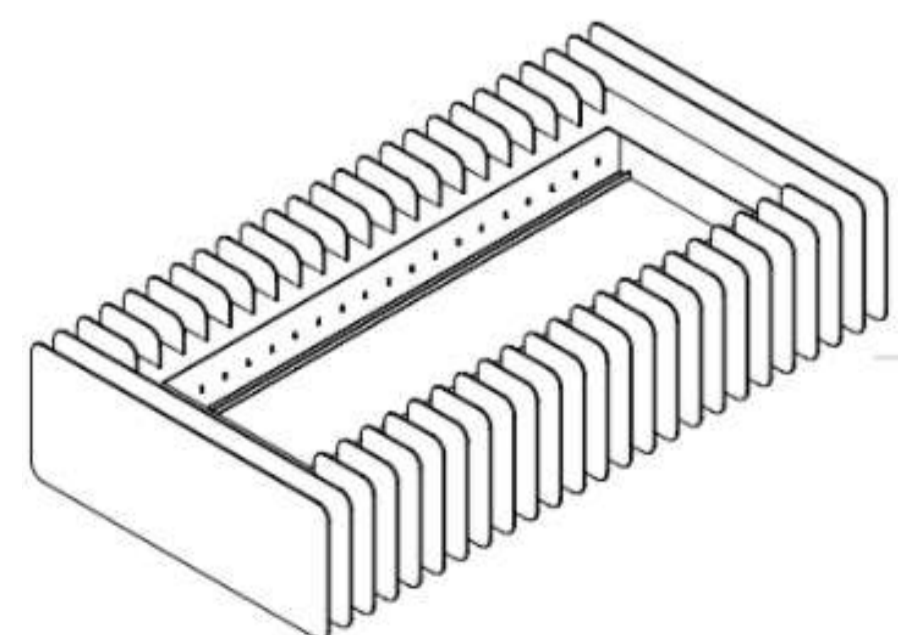
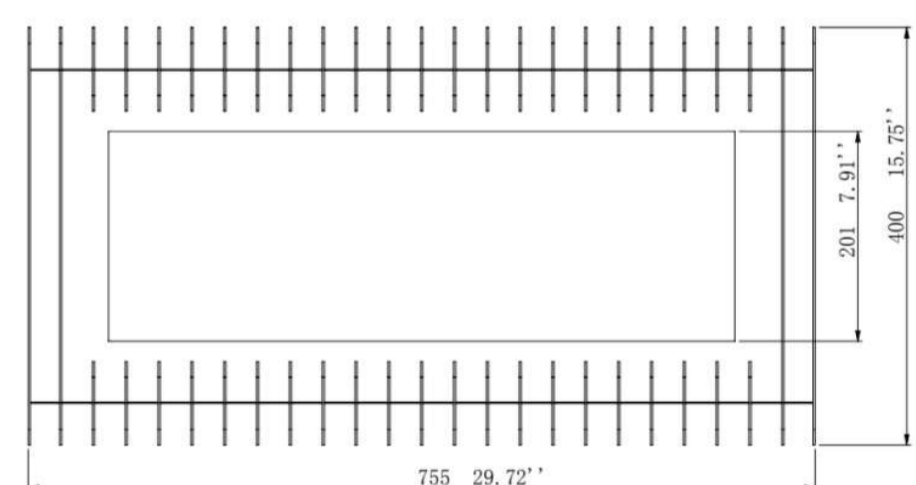
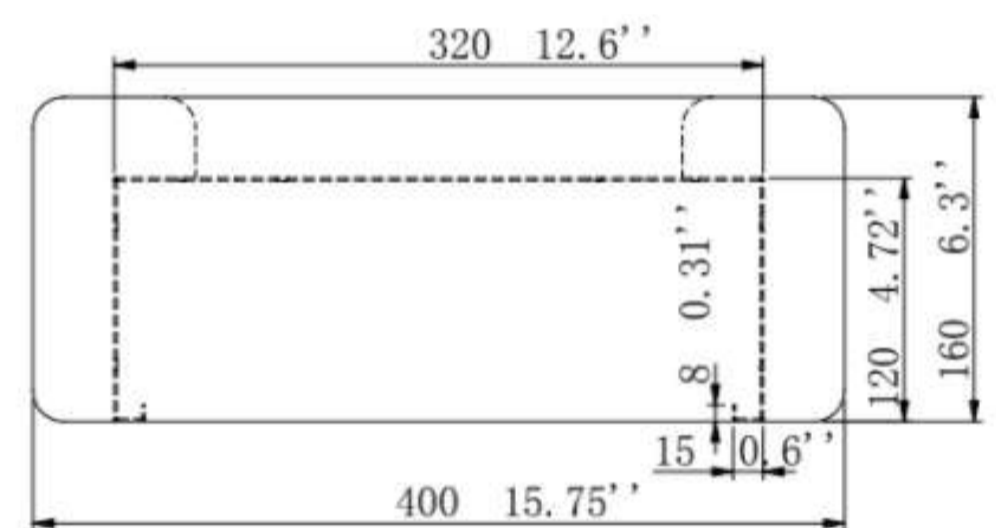
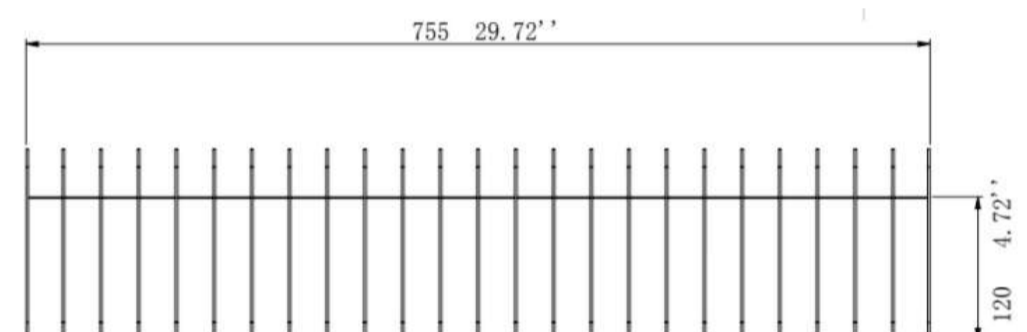
304 Stainless Steel Construction

### Approx. Weight

26 lbs

### Fuel Type

Bio Ethanol Fuel



Lifetime Warranty

**FOR MORE INFORMATION PLEASE REFERENCE THE CLEARANCE & INSTALLATION MANUAL**

\*Dimensions may vary by 2% (plus or minus) due to material attributes. Template not provided. The Bio Flame recommends using the actual fireplace or burner model when making final cut out

