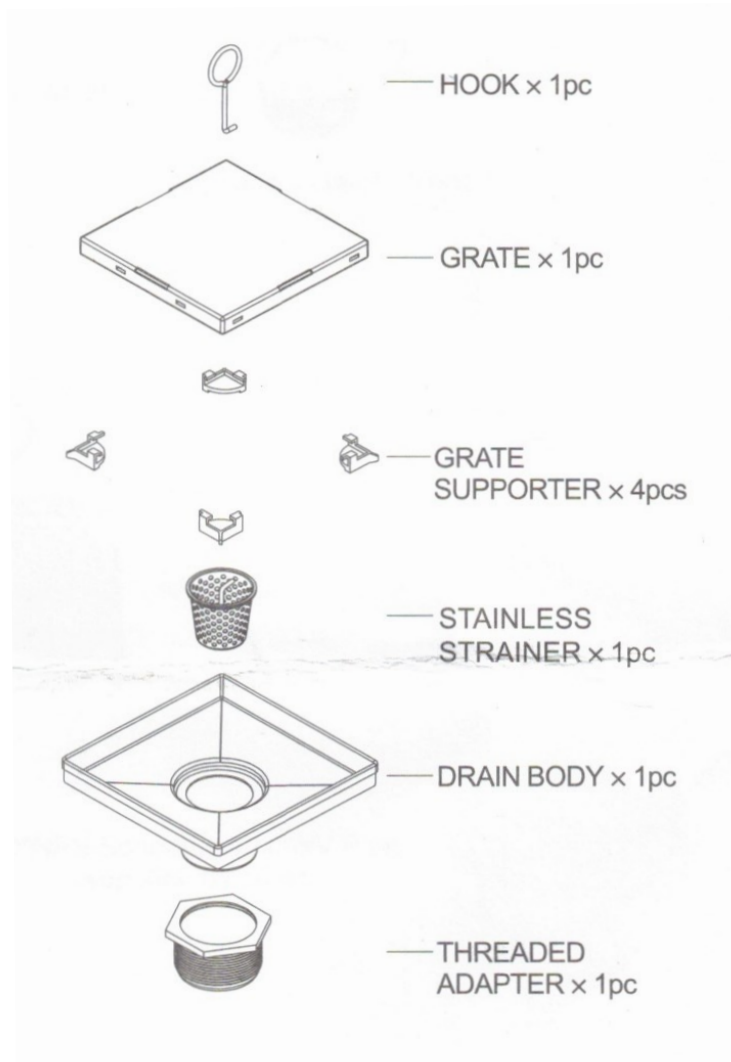


# SQUARE FLOOR DRAIN INSTALLATION INSTRUCTIONS

## *Drain Components*



## NOTE

The information provided in this instruction guide are general guidelines and a licensed professional should always be present during installation. Consult local building codes to ensure the installation complies with standards in your area. The warranty will be void if the product is installed with a conspicuous defect.

***\*Carefully check the parts for the completeness of your received fixture before installation.***

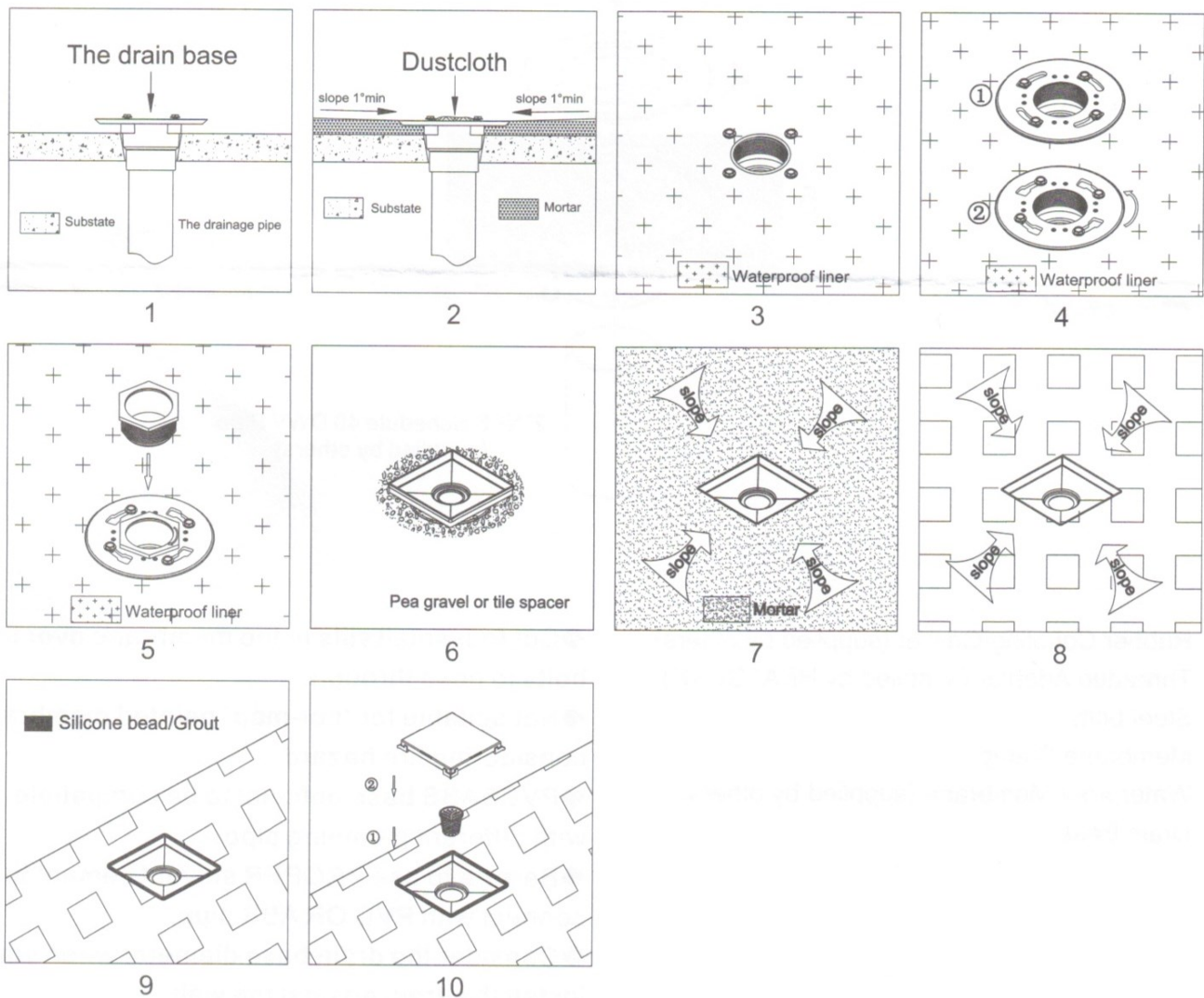
# PREPARATION

The substrate should be smooth, level, clean and free of all dirt, oil, laitance, paint, concrete sealers or curing compounds. Dry dusty concrete slabs or masonry should be dampened and excess water swept off. The following tools and materials may be needed: Hole Saw, Crescent wrench, Level, Utility Knife, Ruler or Tape measure, pencil, Notched Trowel, Weep protectors, Silicone, Solvent Cement.

For the traditional type of waterproofing, the professional should build a shower pan in the wet/shower area with PVC, Vinyl, Lead or fiberglass material, then the drain usually connects to the waste line with a mechanical clamp down drain flange (drain base). For models that do not include such flange and need to be purchased one separately before installation.

# INSTALLATION STEPS

The following installation details do not cover every possible situation, some may not be appropriate for DIY. **Always consult with a licensed professional before installation.**



STEP1. Coupling the drain base outlet to 2" schedule 40 DWV pipe using correct solvent cement.

STEP2. Blocking the drain opening with a rag, trowel mortar to build shower pan, reinforce around drain base to be flush with the floor, grade to create MIN 1% slope towards the drain.

STEP3. Lay the waterproof membrane over the shower pan, cut a slit for the bolts to poke through, then cut away the waste hole in the center. Bond the membrane around the waste hole with waterproof silicone, the membrane can be glued directly to the surface of the drain base.

STEP4. Remove the rag. Install the coupling plate, fasten the bolts. Perform a leak test before moving to the next step.

STEP5. Screw the threaded adapter into the drain base.

STEP6. Push the drain outlet into the threaded adapter hole. Spread pea gravel or tile spacer around the drain base to protect the weep holes.

Adjust the threaded adapter, the top edge of the drain body needs to be flush with the height of tile surface, then level the drain body (use a tool, for example, a spirit level).

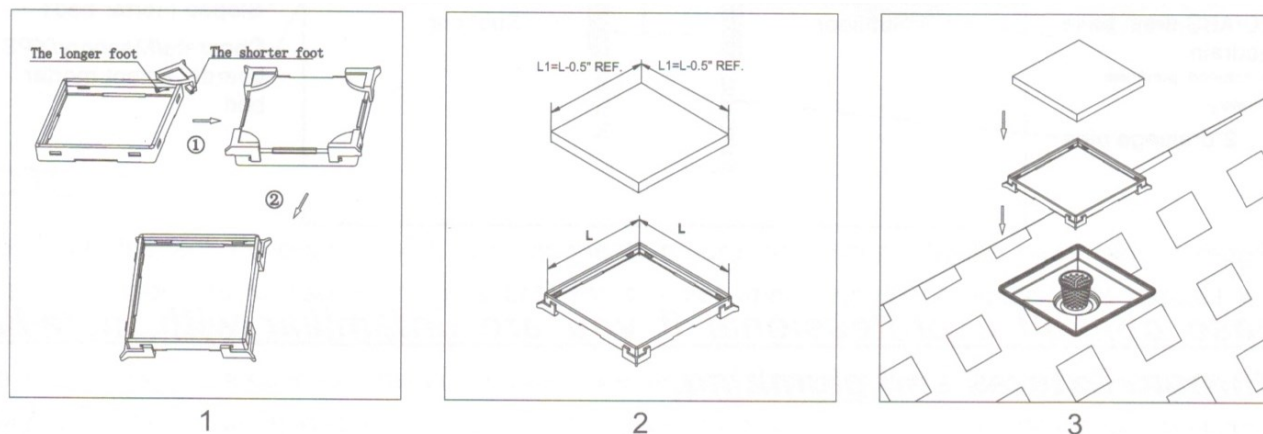
STEP7. Trowel mortar onto the membrane, build up the shower floor allowing for thickness of tile and adhesive, grade to create MIN 1% slope towards the drain.

STEP8. After the floor mortar has cured, install the floor tile with tile adhesive or thin set mortar, using a notched trowel.

STEP9. Fill the gap around the drain body with silicone bead or grout, sweep off the excess material.

STEP10. Put the stainless strainer and grate into the drain body successively.

## FOR TILE INSERT



STEP1. Insert the longer foot of supporter into the hole first, then push the shorter foot into the right hole with appropriate strength. Assemble supporters at the corners of the tray one by one (as shown in picture1). Ensure it is seated properly. Then turn the opening frame of the tray upwards for use.

STEP2. Carefully measure the inside opening frame of the tray, cut the insert-tile as required size, maximum tile thickness 12mm. (Figures in picture2 are for reference only.)

STEP3. Put the strainer, tray and the finished tile in the drain body successively.

Note about step3:

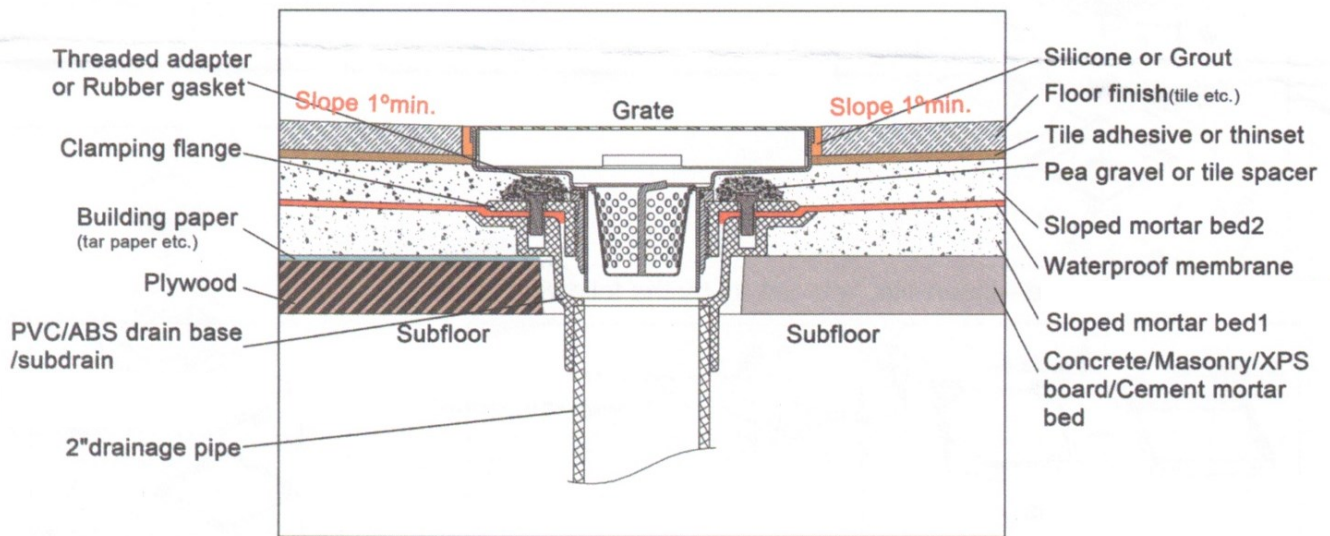
- ① Optional: Apply adhesive or silicone on the back and perimeter of tile before laying. If you do, please scrape the excess tile adhesive, clean up the tile surface and the tray after laying.
- ② Tile surface should be not lower than the tray edge to avoid ponding water.

**Note: Do not use your shower for 48 hours after installation.**

## CARE & MAINTENANCE

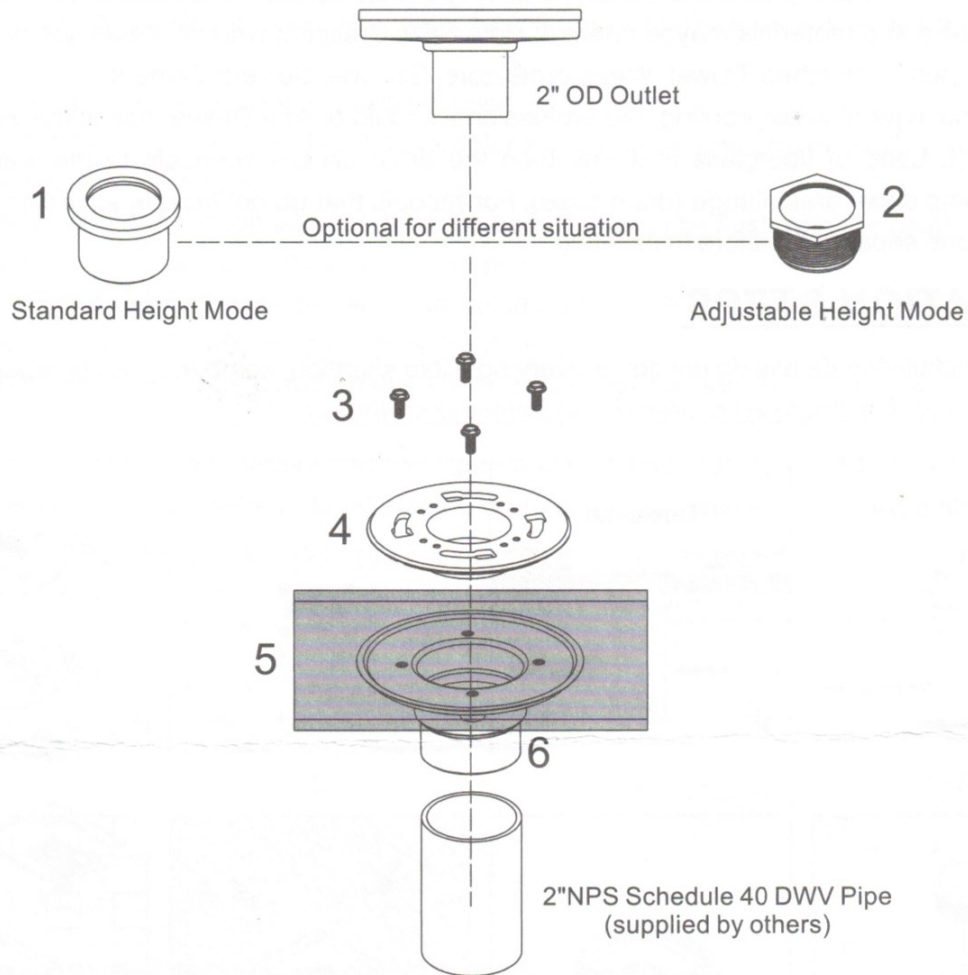
After installation, some aggressive substance such as sealant, adhesive, mortar maybe cause “yellow spot” on the channel, we recommend using a scour pad to remove such “spot”, and always brushing in the direction of the grain. Periodically clean the fixture with non-abrasive cleaner or soft scrub. For polished, matte black and oil rubbed bronze finishes, we recommend cleaning with mild soap and soft cloth. Do not use abrasive cleaners, ammoniated products, rubbing alcohol, detergents, astringents, bleach based cleaners, aggressive chemicals, abrasive cleaning pad, or harsh polishes on the fixture. Use of such substances may void the warranty.

## RECOMMEND INSTALLATION (Sheet-type waterproofing)



**Please consult a professional if you are unfamiliar with installing bathroom fixtures and plumbing.**

# DRAIN BASE



1. Rubber Coupling/Gasket (supplied by others)
2. Threaded Adapter
3. Steel bolts
4. Membrane Clamp
5. Waterproof Membrane (supplied by others)
6. Drain Base

- ◆ Cut four small slits in the membrane over the bolts to poke through.
- ◆ Not suitable for "hot-mop" painted membrane considering fire hazard.
- ◆ PVC&ABS base optional to be compatible with different plumbing pipe.
- ◆ Be sure to use PROPER solvent cement to connect with PVC OR ABS pipe.
- ◆ Consider the drain base diameter when you install the drain against the wall.