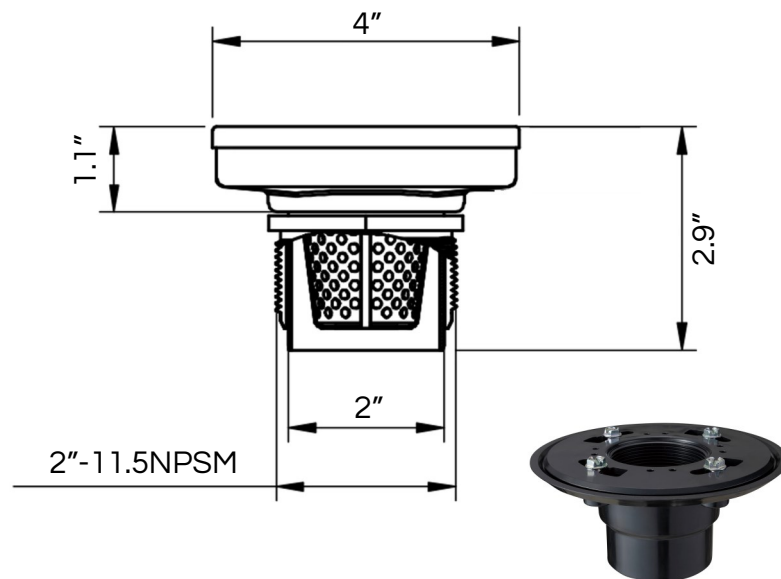




- brushed
SQ4-BR
- matte black
SQ4-MB



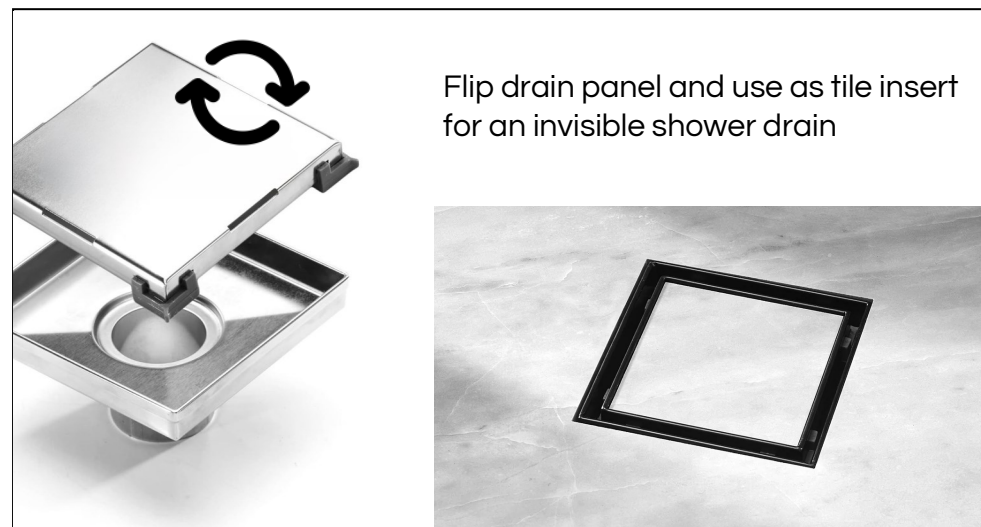
**Universal Drain
Base Included**

SPECIFICATIONS

MATERIAL:	304 stainless steel
FEATURES:	flip drain panel for optional tile insert threaded adapter hair strainer drain base included
WEIGHT:	2 lbs
PACKAGE DIMENSIONS:	L 5" x W 5" x H 5"
DELIVERY WEIGHT:	3 lbs

MAINTENANCE & CARE

BRUSHED:	Regularly apply stainless steel cleaner and rub in the direction of the grain, using a slightly abrasive sponge.
MATTE BLACK:	Regularly clean with soap water or alcohol. Do not use abrasives.



Flip drain panel and use as tile insert for an invisible shower drain