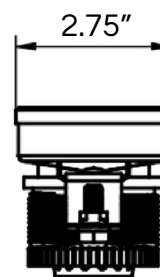
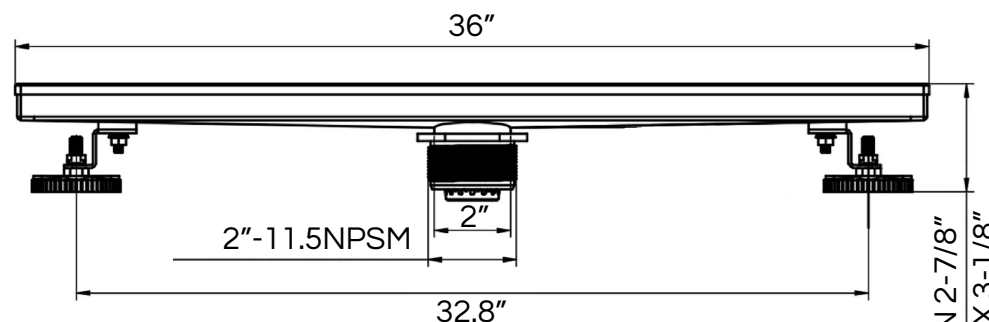




-  brushed
LN36-BR
-  matte black
LN36-MB



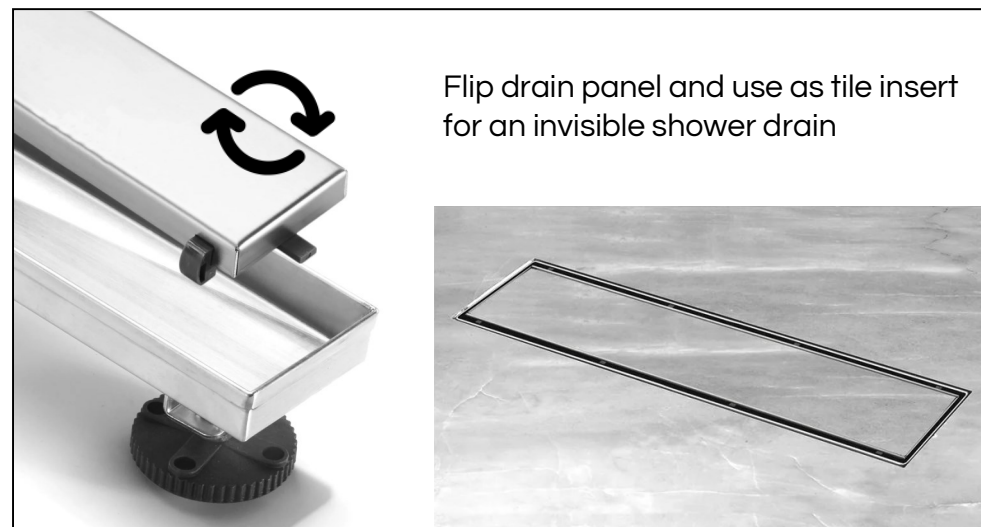
Universal Drain
Base Included

SPECIFICATIONS

MATERIAL:	304 stainless steel
FEATURES:	flip drain panel for optional tile insert adjustable leveling feet threaded adapter hair strainer drain base included
WEIGHT:	6 lbs
PACKAGE DIMENSIONS:	L 38" x W 5" x H 4"
DELIVERY WEIGHT:	7 lbs

MAINTENANCE & CARE

BRUSHED:	Regularly apply stainless steel cleaner and rub in the direction of the grain, using a slightly abrasive sponge.
MATTE BLACK:	Regularly clean with soap water or alcohol. Do not use abrasives.



Flip drain panel and use as tile insert
for an invisible shower drain