



MIMOSA 7-IN-1 TRIKE User Manual



Singapore Importer/Distributor:
Kim Hin Innovation Labs Private Ltd
601 Sims Drive, Pan-I Complex,
Singapore 387382
Email: kil.cs@khi.global

Hong Kong Importer/Distributor:
Trade Solutions Ltd
Unit D, 13A/F, Gemstar Tower,
23 Man Lok Street, Hunghom,
Kowloon, Hong Kong
Email: sales@khi.global

Malaysia Importer/Distributor:
Global Retail Network Sdn Bhd
201001037475 (921399-V)
Wisma Pang Cheng Yean, Lot 5205C,
Jalan Perindustrian Balakong Jaya 1/3,
Kawasan Perindustrian Balakong Jaya,
43300 Seri Kembangan,
Selangor Darul Ehsan, Malaysia
Email: sales.support@khi.global

MMS17068

<https://mimosa-online.com>



mimosa

	44lbs
Up to	20kg

This product is suitable for children from 18 – 60 months. The maximum load is 20kg and the product complies to EN71 and ASTM F963-17.

Important – Please read the instruction before assembly.

CONTENTS

1. Safety information.....	1
2. Parts and components.....	3
3. Modes of use.....	5
4. Content in the carton.....	7
5. Unfolding the trike.....	8
6. Backrest assembly & disassembly.....	9
7. Canopy assembly & disassembly.....	10
8. Bumper bar assembly & disassembly.....	10
9. Parent bar assembly & operation.....	11
10. Rear wheel brake operation.....	12
11. Pedal assembly & operation.....	13
12. 5-point harness operation.....	14
13. Seat rotation.....	15
14. Steering lock operation.....	15
15. Cleaning and maintenance.....	16

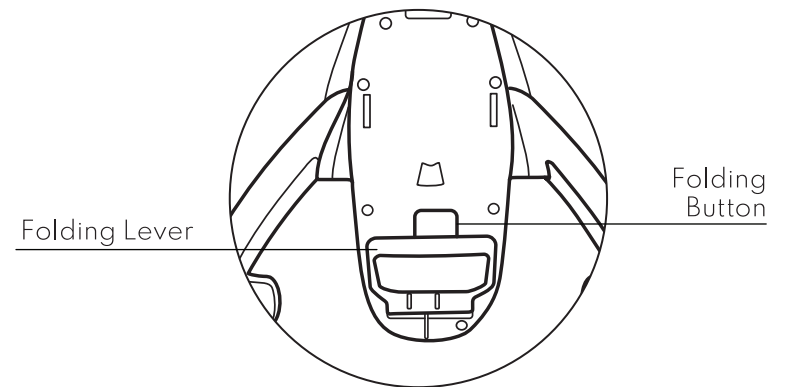
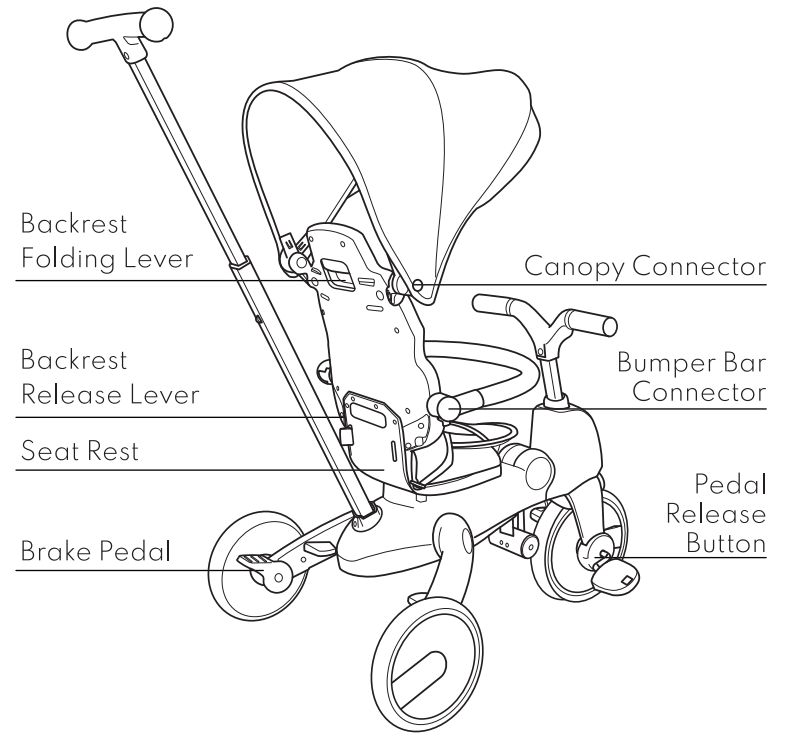
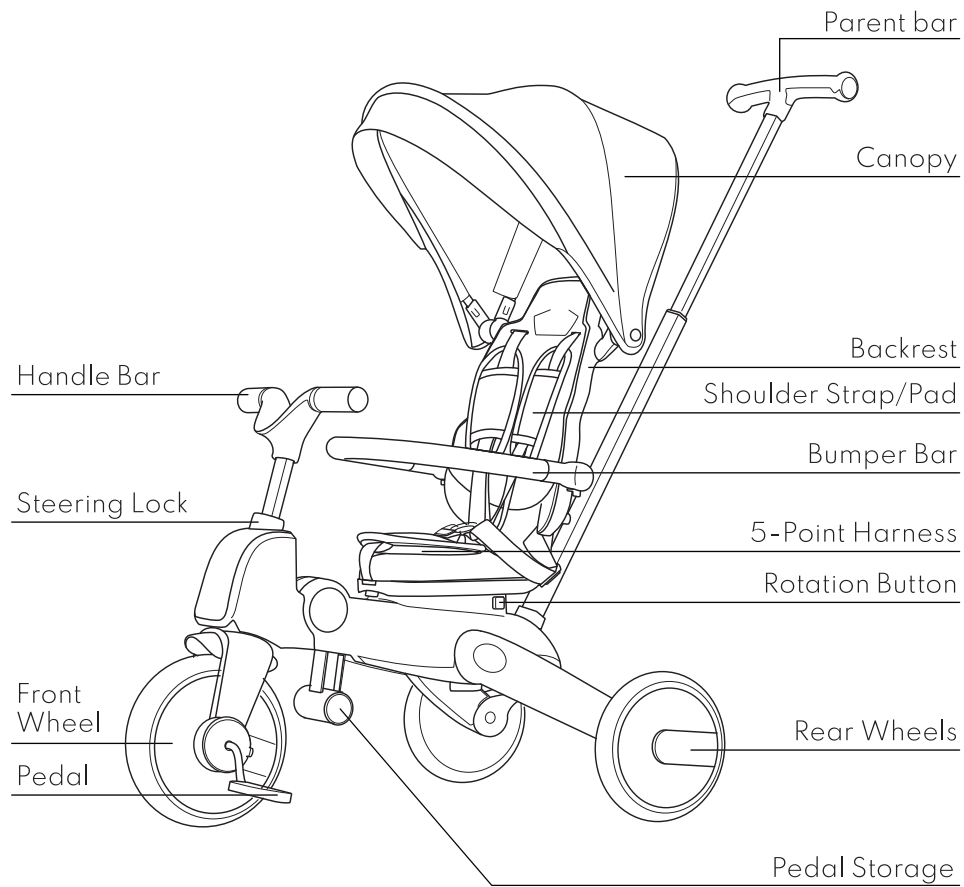
1. SAFETY INFORMATION

Please read this user manual carefully before using this product.
Important - Keep these instructions for future reference.

- WARNING Adult supervision required. Never leave your child unattended.
- WARNING To avoid serious injury, continuous adult supervision is required. Never use near motor vehicles, streets, pools, slopes, hills steps etc.
- WARNING Always wear shoes when using the product. The use of protective clothing and a helmet are also recommended.
- WARNING Use this product for only one child at a time.
- WARNING This product is suitable for children from 18 to 60 months.
- WARNING The maximum load of the product is 20kg. Never overload. Overloading may affect the stability of the product.
- WARNING Assembly of the product must be carried out by adults only, to ensure all parts are properly connected.

- WARNING Ensure that product is properly set up and all locking devices are engaged before use.
- WARNING To avoid injury, ensure that your child is kept away when folding and unfolding this product. Do not let your child play with this product.
- WARNING When not in use, ensure that the product is out of your child's reach to avoid injuries.
- WARNING Keep hands away from moving parts at all times.
- WARNING Any additional accessories or parcels added to, or hung from the handlebars and parent bar may cause instability of the product.
- WARNING Never lift or tilt the product when a child is in it.
- WARNING Never carry the product up or down the stairs with a child in it.
- WARNING Ensure that you adjust the product's mode according to your child's age and developmental level.
- WARNING When the product is used with a backrest, always ensure that the restrain system is used.
- WARNING This product is not equipped with lights or reflecting safety marks. It is not safe for use in the dark.
- WARNING Only replacement parts supplied or recommended by the manufacturer/ distributor shall be used. Do not use accessories which are not approved by the manufacturer/ distributor.
- WARNING Incorrect use of the product and its spare parts may cause damage to the product and/or make it unsafe for use.
- WARNING Check for defects or critical wear before every use. If the product has suffered from a crash/impact/any other damage, it shall not be used. Do not use if any part is broken, worn or defective, please stop using immediately and contact your local distributor for further instructions.
- WARNING Avoid placing this product near naked heat sources such as electric bar fires, gas fires etc., or where a child could gain access to any other kinds of hazards.
- WARNING Keep this product away from corrosive materials.
- WARNING This product is not suitable for jogging, skating, or any high-speed usage.
- WARNING Do not use this product without the parent bar until your child is ready to safely ride it on his/her own.
- WARNING Please teach your child the correct ways to use the product and draw his/her attention to possible sources of danger.

2. PARTS & COMPONENTS



3. MODES OF USE

For ages 18 – 24 months

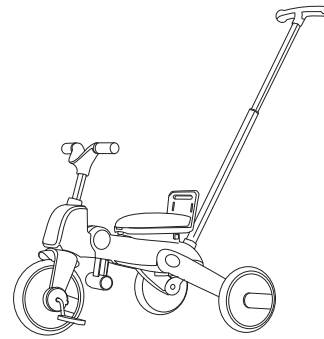


Forward facing with backrest, parent bar, bumper bar, canopy, pedal stowed in storage, handlebar unlocked for parent control.

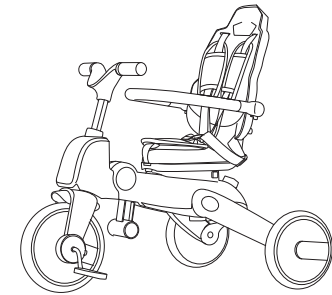


Parent facing with backrest, parent bar, bumper bar, canopy, pedal stowed in storage, handlebar unlocked for parent control.

For ages 30-36 months

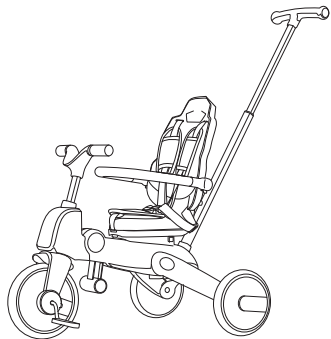


Forward facing, with parent bar, pedal in cycling mode, handlebar unlocked for parent control.



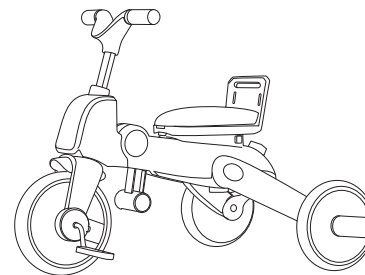
Forward facing with backrest, bumper bar, pedal in cycling mode, handlebar locked.

For ages 24-30 months



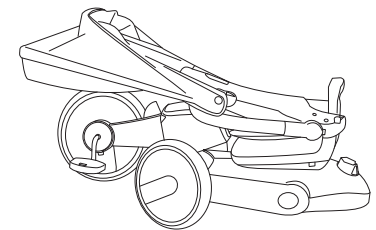
Forward facing with backrest, parent bar, bumper bar, pedal in cycling mode, handlebar unlocked for parent control.

For ages more than 36 months



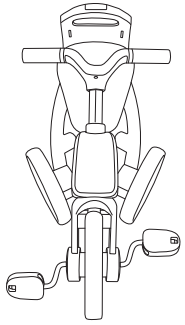
Forward facing, pedals in cycling mode, handlebar locked.

Folded

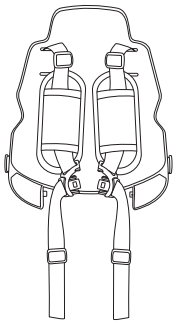


Quick fold for easy travelling.

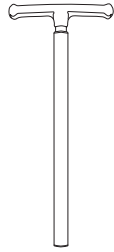
4. CONTENT IN THE CARTON



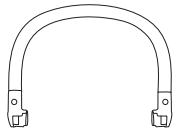
Trike



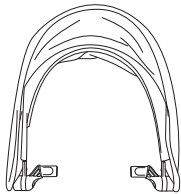
Backrest/
Harness straps



Parent bar



Bumper bar



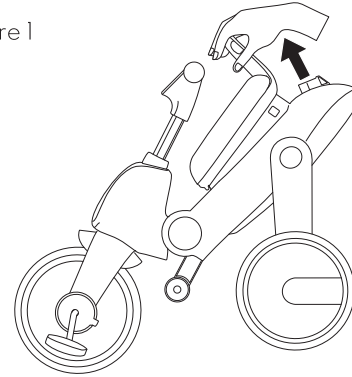
Canopy



User manuals
(EN / CN)

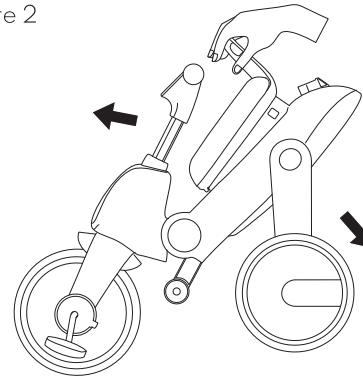
5. UNFOLDING THE TRIKE

Figure 1

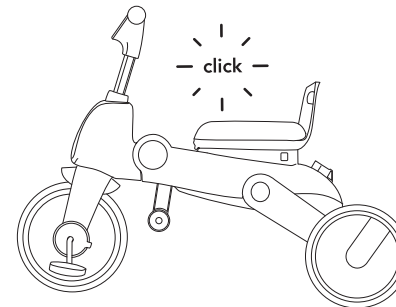


1. Hold the trike by the handle on the seat rest. Lift the trike upwards and diagonally in the direction of the arrow shown in Figure 1.

Figure 2

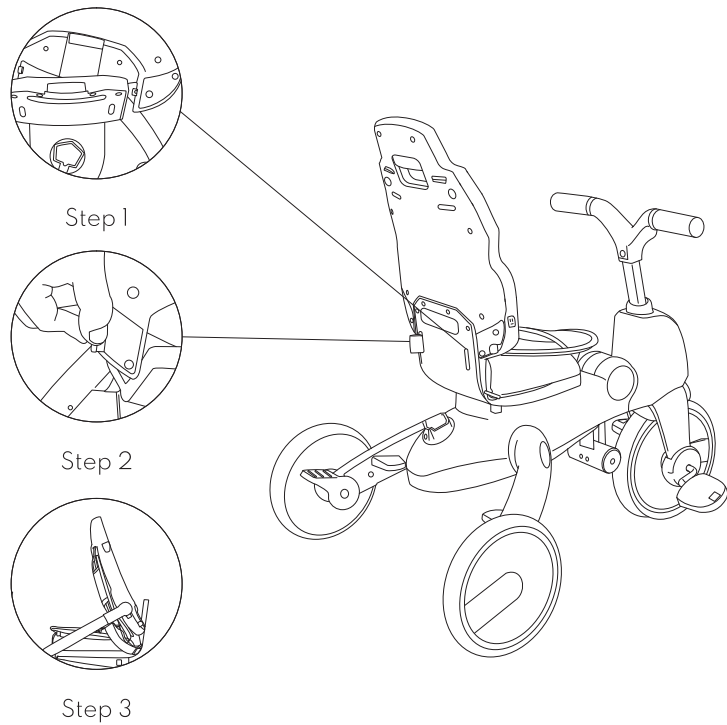


2. Extend the handlebar and rear wheels towards the front and back respectively, in the direction of the arrows shown in Figure 2.



3. Fully extend the trike until a "click" sound is heard. Push down on the seat slightly to ensure that the trike has been fully extended.

6. BACK REST ASSEMBLY & DIS-ASSEMBLY



To Assemble:

Step 1 - With the backrest at a slight angle forward, align and insert the right connector into the slot on the seat rest.

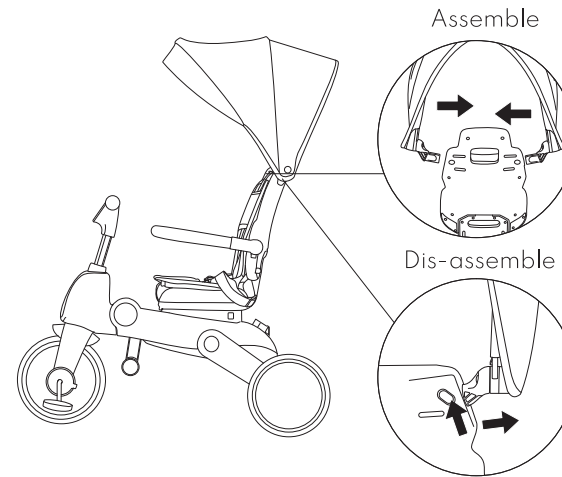
Step 2 - Pull open the backrest release lever on the left. At the same time, align and insert the left connector to the other slot on the seat rest.

Step 3 - Lift the backrest up into place, until a "click" sound is heard.

To Dis-assemble:

Pull open the backrest release lever on the left. Remove the left side of the backrest, followed by the right side.

7. CANOPY ASSEMBLY & DIS-ASSEMBLY



To Assemble:

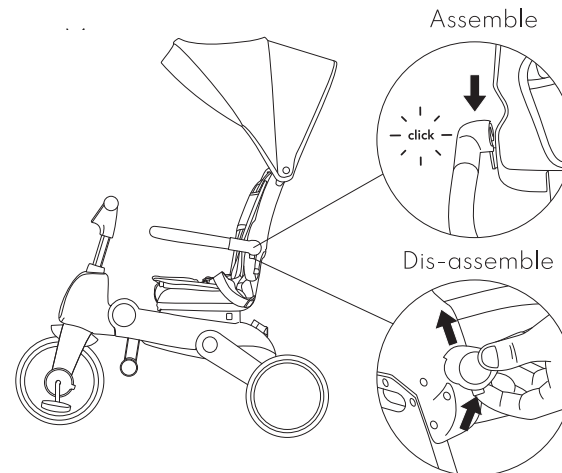
Align and insert the canopy connectors into the corresponding slots near the top of the backrest.

To open the canopy, firmly pull the front of the canopy in the forward direction.

To Dis-assemble:

Push in the canopy release buttons on either side of the canopy. Remove canopy from backrest.

8. BUMPERBAR ASSEMBLY & DIS-ASSEMBLY



To Assemble:

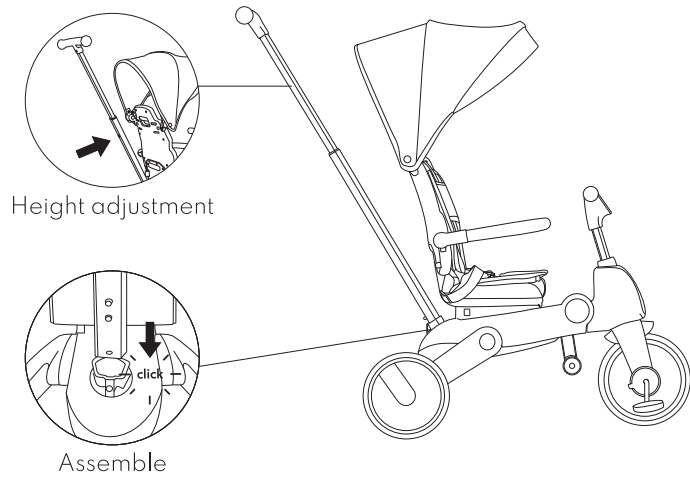
Align both sides of the bumper bar to the bumper bar connector on either side of the backrest.

Push down on both sides until "click" sounds are heard.

To Dis-assemble:

Pull open the release levers on both sides of the bumper bar. Lift the bumper bar upwards to remove.

9. PARENT BAR ASSEMBLY & OPERATION



To Assemble:

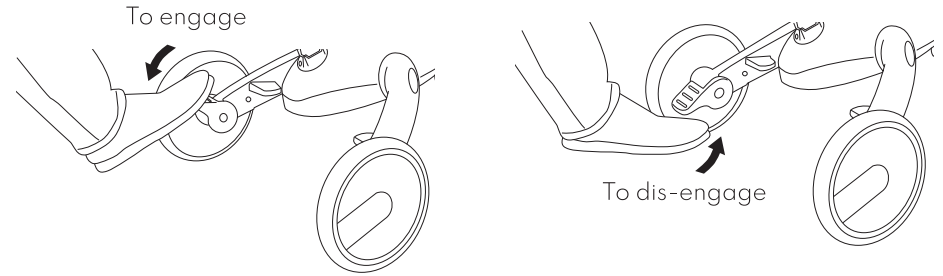
Align and insert the parent bar into the socket located at the back of the trike. Push in firmly until a "click" sound is heard.

Note: Do not use without a parent bar until your child is able to safely and independently ride the trike on his/her own

To Adjust Height:

Locate the adjustment pin along the parent bar. Push the adjustment pin in and adjust the parent bar to your desired height. There is a total of three height settings to choose from.

10. REAR WHEEL BRAKE OPERATION



To Engage:

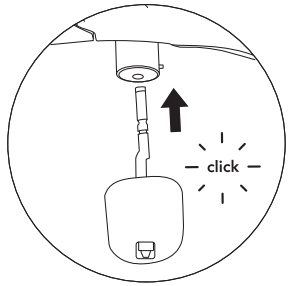
Step on the brake lever located at the back of the trike. Ensure that the brakes are properly engaged by slightly pushing the trike back and forth.

To Dis-engage:

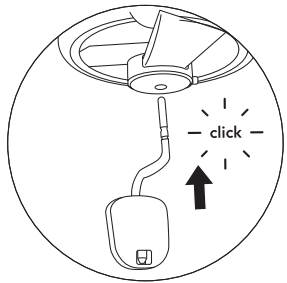
Lift up the brake lever to dis-engage brake.

11. PEDAL ASSEMBLY & OPERATION

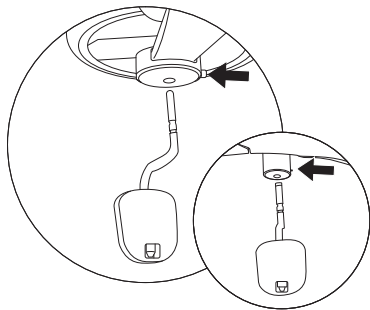
To assemble pedal in footrest mode



To assemble pedal in cycling mode



To dis-assemble



To assemble pedal in footrest mode:

Align and insert the pedals into the pedal storage sockets on either side of the trike, until a "click" sound is heard.

The footrest mode is recommended for children below the age of 24 months. This allows them to rest their feet and/or pick up the skill of pedaling while the trike is in parent mode.

To assemble pedal in cycling mode:

Align and insert the pedals into the sockets on either side of the front wheel.

The cycling mode is recommended for children above the age of 24 months. This allows them to learn how to pace themselves.

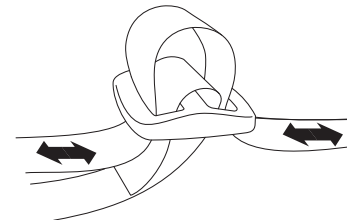
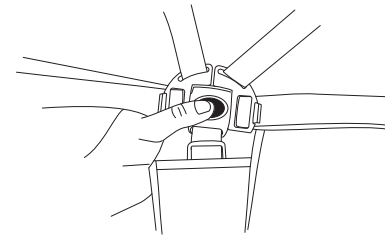
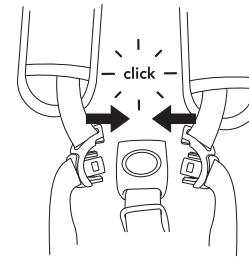
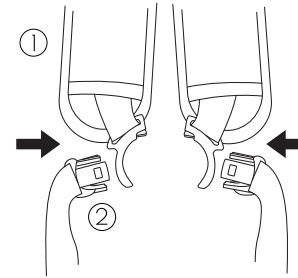
Note: Do not use without a parent bar until your child is able to safely and independently ride the trike on his/her own.

There are 2 axes on the pedal shaft – first axis allows for free-spinning, the second axis allows for controlled motion.

To dis-assemble:

Locate the pedal release buttons on either side of the pedal storage or front wheels. Push button in firmly and remove pedals from the sockets.

12. 5-POINT HARNESS OPERATION



To secure the 5-point harness:

1. Put buckle tongues 1 and 2 together. Repeat on the other side. Ensure that the buckles are firmly placed together.

2. Align and insert the joint buckle tongues to both sides of the safety buckle socket, until a "click" sound is heard. Give the safety harness a small tug to ensure that it has been properly fitted.

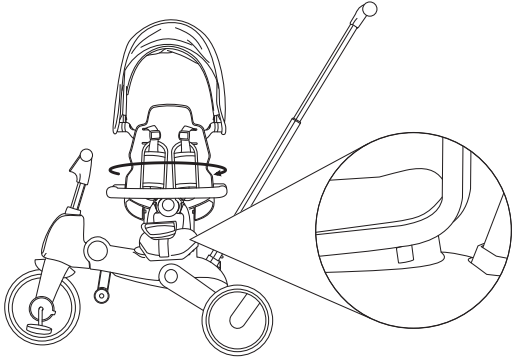
To release the 5-point harness:

Firmly press on the release button at the middle of the safety buckle.

To adjust the length of safety harness:

Slide the adjustment guides on the shoulder or waist straps to adjust the length according to your child's needs.

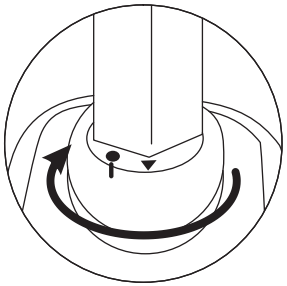
13. SEAT ROTATION



To rotate the seat unit:

Locate the seat rotation button under the seat unit on the left. Push the button and rotate the seat toward the preferred direction.

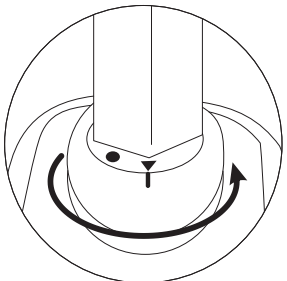
14. STEERING LOCK OPERATION



To unlock handle bar:

Rotate the Steering Lock clockwise towards the round symbol ●.

In this mode, the handlebar will be free to move without controlling the trike's direction. The steering direction can only be controlled using the parent bar.



To lock handle bar:

Rotate the Steering Lock anti-clockwise towards the triangle symbol ▼.

In this mode, your child will be able to control the steering direction using the handlebar.

15. CLEANING AND MAINTENANCE

Maintenance Tips

These tips will help you take care of your Mimosa trike and ensure a smooth ride.

- Periodically check the trike for damaged or worn parts. Do not use this trike if any part is damaged or worn.
- Periodically brush off any dirt or sand that may be trapped in the harness buckle.
- Clean the frame with a soft towel and lukewarm water. Wipe off any remaining water with a dry cloth.
- Use a brush and water to clean dirt off the wheels. Do not submerge the wheels in water.
- Use a soft brush to clean sand and dirt from rotating or sliding parts. Do not use any form of lubricating oil on rotating or sliding parts. This may cause adhesion of debris and affect the effectiveness of these parts.
- Do not use bleach when cleaning the trike and avoid water contact on metallic parts to avoid rusting.
- Store your Mimosa trike and its accessories in a dry place. Leave them unfolded when wet to prevent mould.

Cleaning the fabrics

- The fabric of the sun canopy and seat unit cannot be removed from their frames for machine wash.
- You can use a sponge, warm water and mild liquid soap to gently rub off any dirt on the fabric.

