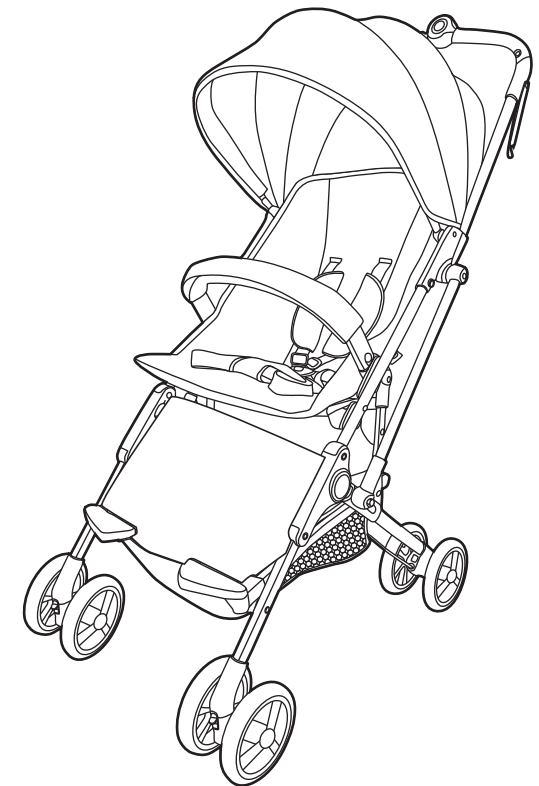




# MIMOSA CABIN CITY+ BACKPACK STROLLER

## User Manual



MIMOSA



Malaysia Importer/Distributor:  
Global Product Solutions Sdn. Bhd. (705154-M)  
Wisma Pang Cheng Yean, Lot 5205C,  
Jalan Perindustrian Balakong Jaya 1/3,  
Taman Perindustrian Balakong Jaya,  
43300 Seri Kembangan, Selangor Darul Ehsan, Malaysia  
Tel: (03) 89406638  
my.support@globaloutsourcenasia.com

Hong Kong Importer/Distributor:  
Trade Solutions Ltd  
Unit D, 13A/F, Gemstar Tower, 23 Man Lok Street,  
Hung Hom, Kowloon, Hong Kong

Singapore Importer/Distributor:  
Kim Hin Innovation Labs Pte. Ltd.  
601 Sims Drive, Pan-I Complex  
Singapore 387382  
Tel: (65) 6831 5020  
care.il@kimhinintl.com

MMS17043



This product is suitable from birth to 36 months and the maximum load is 23kg. This product has been designed to comply with EN1888-1:2018 (modified to test to 23kg).

**Important** – Please read the instruction before assembly.

1. SAFETY INFORMATION .....	2
2. STROLLER PARTS AND COMPONENTS.....	3
3. ASSEMBLE THE STROLLER.....	4
4. SECURE THE HARNESS.....	6
5. BACKREST ADJUSTMENT.....	7
6. BRAKES ADJUSTMENT.....	8
7. FOLDING THE STROLLER.....	9
8. CLEANING AND MAINTENANCE.....	10

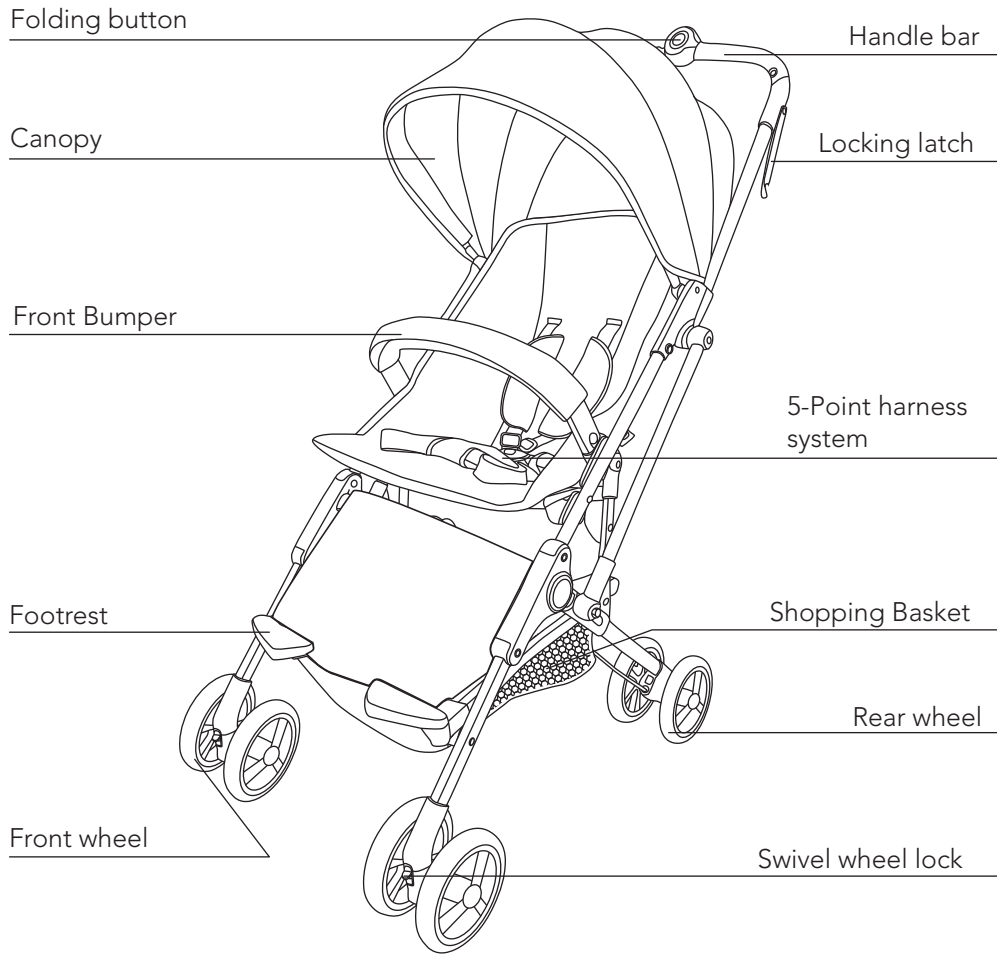
## 1. SAFETY INFORMATION

Please read this user manual carefully before using this product.  
Important - Keep these instructions for future reference.

- **WARNING Never leave your child unattended.**
- **WARNING Ensure that all the locking devices are engaged before use.**
- **WARNING To avoid injury ensure that your child is kept away when unfolding and folding this product.**
- **WARNING Do not let your child play with this product.**
- **WARNING Always use the restraint system.**
- **WARNING Check that the pram body or seat unit or car seat attachment devices are correctly engaged before use.**
- **WARNING This product is not suitable for running or skating.**
- **WARNING** This product is suitable for children from 0 to 36 months. The max load of this product is 23kg. Never overload.
- **WARNING** This product is suitable for children from 0 to 36 months when the backrest angle > 150°; This product is suitable for children from 7 to 36 months when the backrest angle ≤ 150°.

- **WARNING** The maximum permissible loading for shopping basket is 5kg.
- **WARNING** Any load attached to the handle and/or on the back of the backrest and/or on the sides of this product will affect the stability of this product.
- **WARNING** Use this product for only one child at a time.
- **WARNING** Accessories which are not approved by the manufacturer/ distributor shall not be used.
- **WARNING** Only replacement parts supplied or recommended by the manufacturer/ distributor shall be used.
- **WARNING** The brake system must be engaged when placing your child in this product or taking your child out of this product.
- **WARNING** Do not use if any part is broken, torn or missing.
- **WARNING** Avoid placing this product near naked heat sources such as electric bar fires, gas fires, etc., or where a child could gain access to any other kinds of hazards.
- **WARNING** Always use the crotch strap in combination with the waist belt.
- **WARNING** Always use the harness provided and make sure the harness is correctly fitted.
- **WARNING** Do not allow child to stand on the seat unit.
- **WARNING** Do not pull this product by bike, motorbike and car, or any vehicle.

## 2. STROLLER PARTS AND COMPONENTS

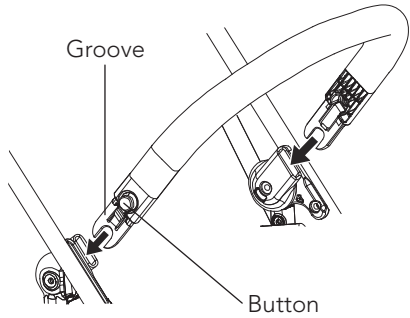


## 3. ASSEMBLE THE STROLLER

	<p>1. Loosen the locking latch in the direction of the arrow.</p>
	<p>2. When the stroller frame is opened half-way, lift the handle bar by following the direction of the arrows (as shown in the diagram) until you hear a "click" sound.</p>
	<p>3. Hold the handle bar with both hands to fully open the stroller frame. Gently squeeze both sides of the stroller frame to ensure the stroller is locked in place.</p>

## 4. SECURE THE HARNESS

**WARNING!** Always use the 5-point safety harness and ensure your child is properly secured when using the stroller.

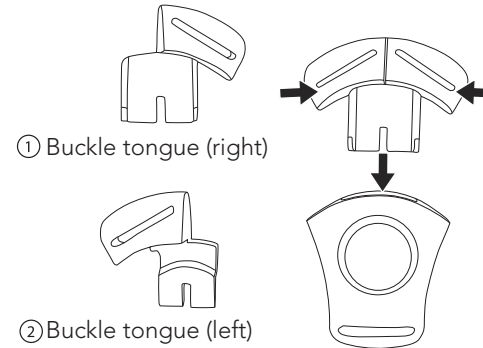


4. Insert the front bumper into the connectors on each side of stroller until you hear a "click" sound. Please note that the groove should be on top. Pull on the front bumper to make sure it is attached securely.

To remove the front bumper, press the button on each side of the bumper bar and pull it out.

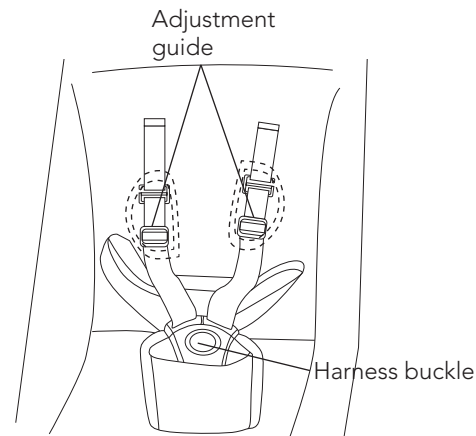


5. To open canopy, pull forward while holding the rear of canopy in place. To close, push to the rear of stroller.



1. Put the left ② and right ① tongues of the buckle together. Ensure the buckle tongues are firmly together. Insert the joined tongues into the harness buckle until you hear a "click" sound. Make sure the harness buckle is secure by pulling the shoulder belt upwards.

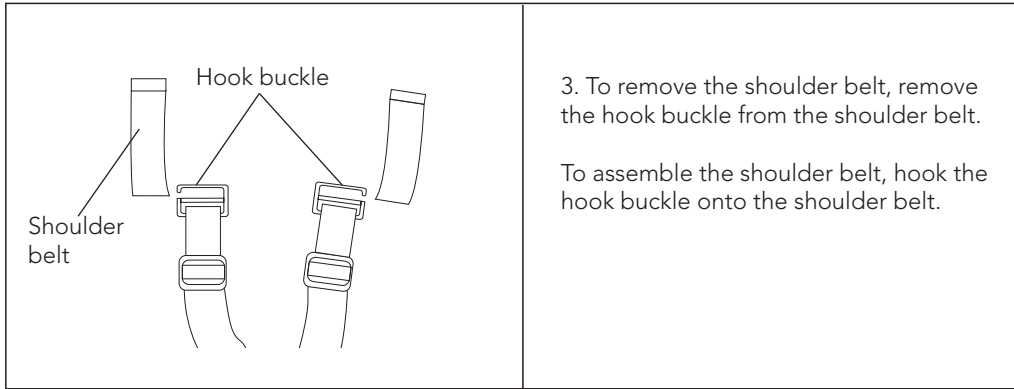
To release the harness, press the button on the harness buckle.



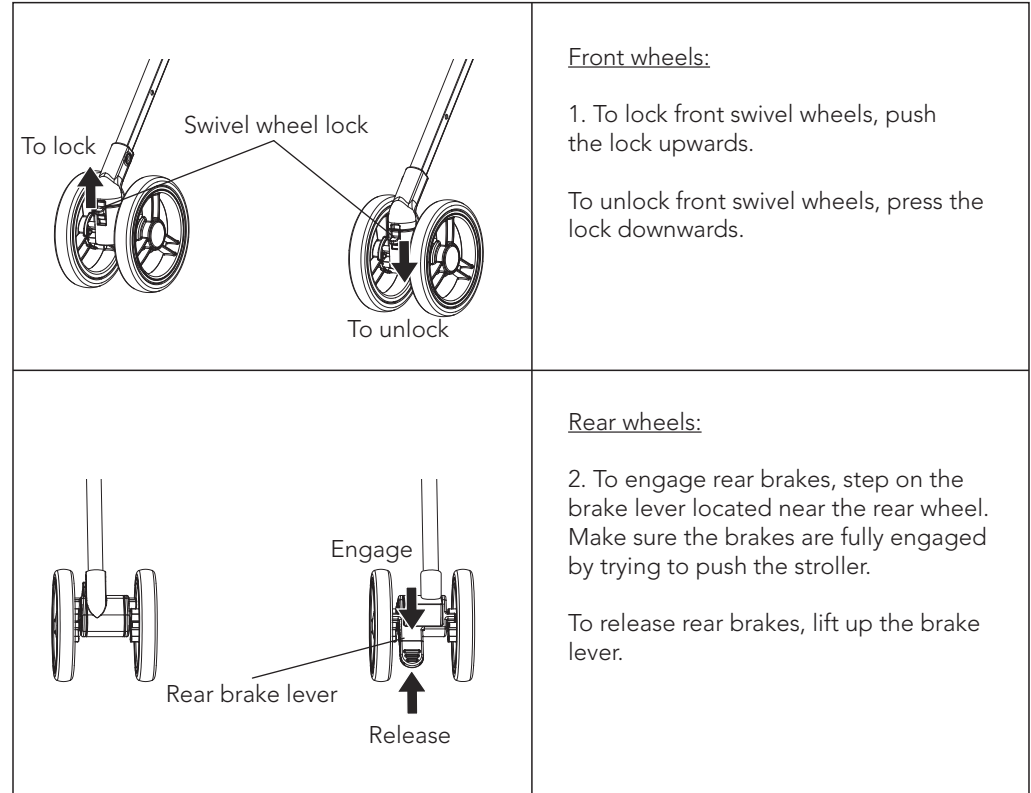
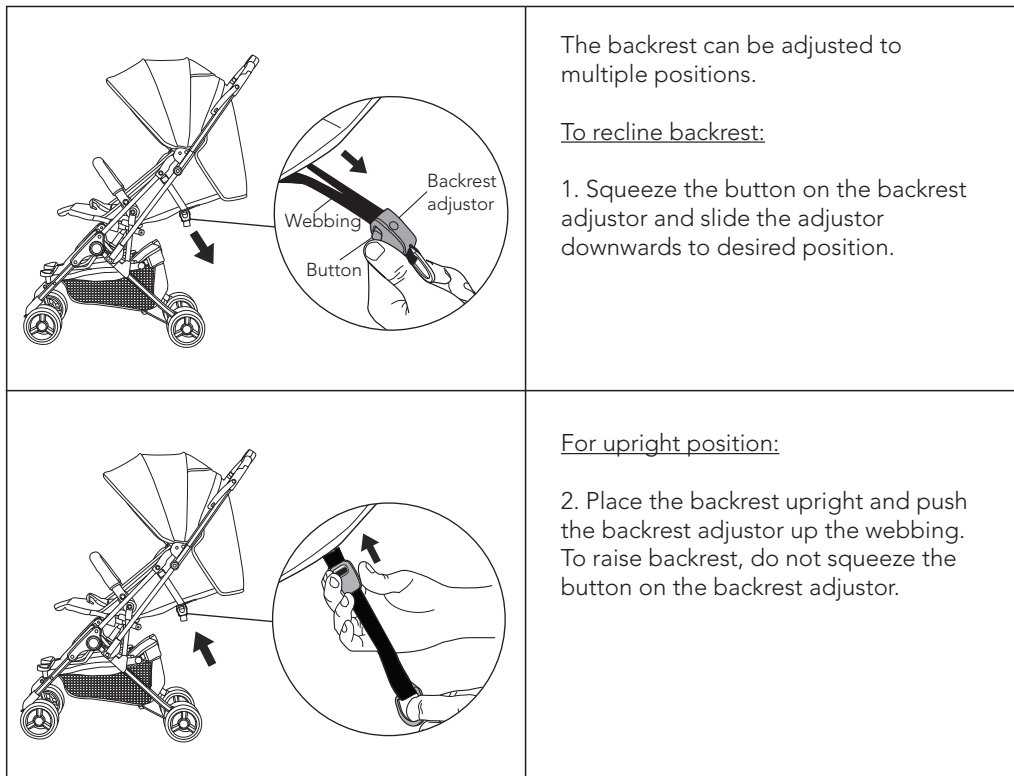
2. To adjust the shoulder and crotch strap length, move the adjustment guides up or down to shorten or lengthen.

## 6. BRAKES ADJUSTMENT

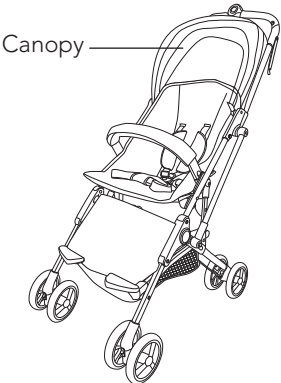
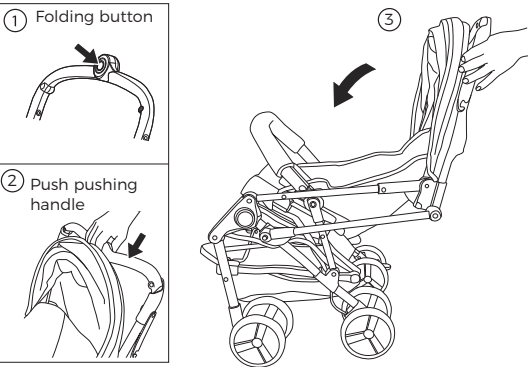
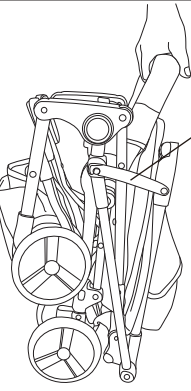
**WARNING!** Always lock brakes. Check the brakes are engaged by trying to push the stroller.



## 5. BACKREST ADJUSTMENT



## 7. FOLDING THE STROLLER

 <p>Canopy</p>	<p>1. Before folding the stroller, always close the canopy by pushing it to the rear of stroller.</p>
 <p>① Folding button</p> <p>② Push pushing handle</p> <p>③</p>	<p>2. Press the folding button ① and push the handle bar ② downwards to fold the stroller according to the direction of the arrow as shown in ③.</p>
 <p>Locking latch</p>	<p>3. Secure the stroller with the locking latch.</p>

## 8. CLEANING AND MAINTENANCE

Periodically check the stroller for damaged or worn parts. Do not use this stroller if any part is damaged or worn.

**Hard parts:** It is recommended to clean moving parts regularly in order to maintain correct functioning. Clean the frame with a soft damp cloth with mild soap.

**Stroller fabric:** Fabric parts may be cleaned in accordance with the fabric care label. Don not machine wash. Stroller seat can be wiped clean with damp cloth if necessary.

**Stroller seat and Basket:** Wipe clean with damp cloth if necessary.

**Cover:** 100% Polyester



Do not leave the stroller exposed to heat e.g. open fire, heaters and other sources of strong heat.

If the stroller frame has been exposed to salt water, please rinse the frame with clean fresh water as soon as possible afterwards.

If the stroller is wet, leave it unfolded and allow all parts to dry completely to prevent mould. Never store the stroller in a damp or hot environment.