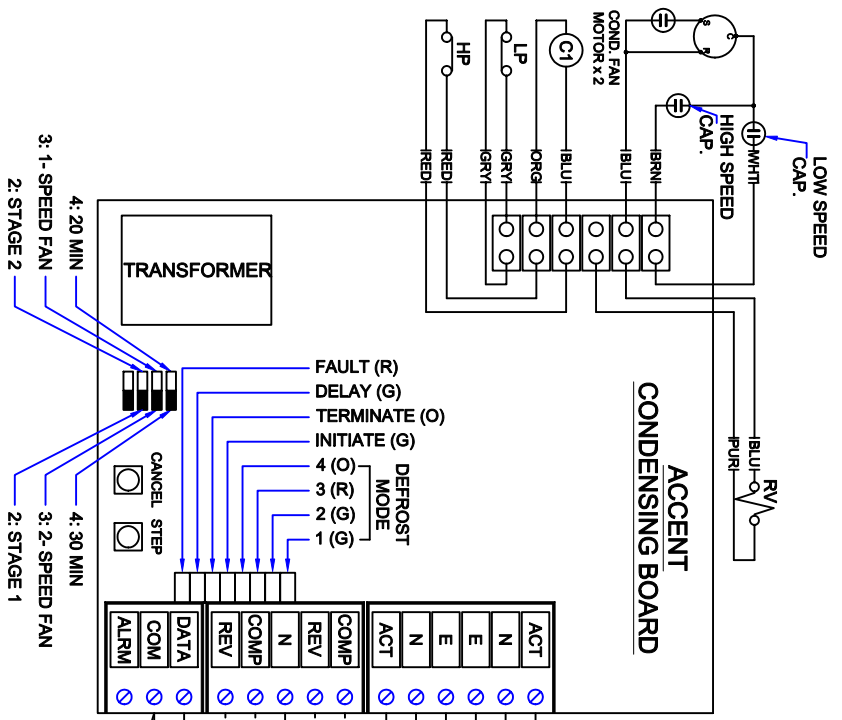


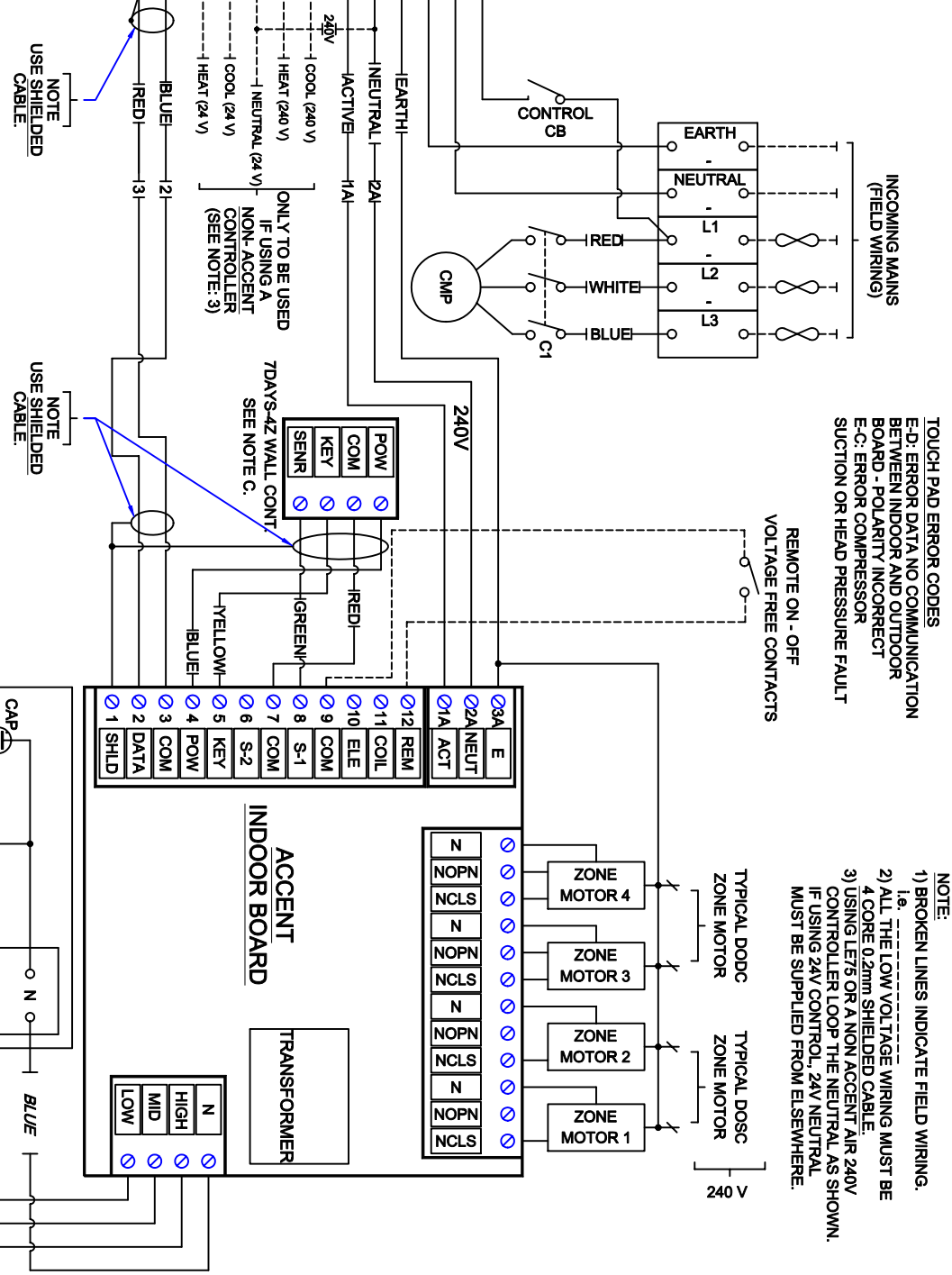
ACCENT BM8 INDOOR & AC1 OUTDOOR CONTROL WIRING DIAGRAM

LEGEND	
ACT	ACTIVE
COMP	COMPRESSOR CONTACTOR
C1	CAPACITOR
CAP	CAPACITOR
CB	CIRCUIT BREAKER
COM	COMMON
COMP	COMPRESSOR
(C1)	CONTACTOR COIL
E	EARTH

LEGEND	
HP	HIGH PRESSURE SWITCH
LP	LOW PRESSURE SWITCH
N	NEUTRAL
NOPN	NORMALLY OPEN
NCLS	NORMALLY CLOSE
POW	POWER
RV	REVERSING VALVE
S-1	SENSOR NO: 1
SHLD	SHIELD



NOTE
 A) ALL THE LOW VOLTAGE WIRING MUST BE 4 CORE 0.2mm SHIELDED CABLE.
 B) ZONE 3 & 4 ARE PROGRAMMED OFF AS STANDARD. RE-PROGRAM IF REQUIRED.
 C) 7-DAYS WALL CONTROLLER HAS DIFFERENT TERMINALS THAN 24 HOUR.



TOUCH PAD ERROR CODES
 E-D: ERROR DATA NO COMMUNICATION BETWEEN INDOOR AND OUTDOOR BOARD - POLARITY INCORRECT
 E-C: ERROR COMPRESSOR SUCTION OR HEAD PRESSURE FAULT
 REMOTE ON - OFF VOLTAGE FREE CONTACTS

NOTE:
 1) BROKEN LINES INDICATE FIELD WIRING. I.e. ALL THE LOW VOLTAGE WIRING MUST BE 4 CORE 0.2mm SHIELDED CABLE.
 2) USING LET/5 OR A NON ACCENT AIR 240V CONTROLLER LOOP THE NEUTRAL AS SHOWN. IF USING 24V CONTROL, 24V NEUTRAL MUST BE SUPPLIED FROM ELSEWHERE.



21 Atkinson Street
 Liverpool NSW 2170
 Australia
 Phone: +61 2 9602 8444
 Fax: +61 2 9602 8477

BM8-24H-4Z
 REF. DWG
 Date
 13/1/2006
 Drawn
 B. Fleming

Unit specifications are subject to change without notice.