

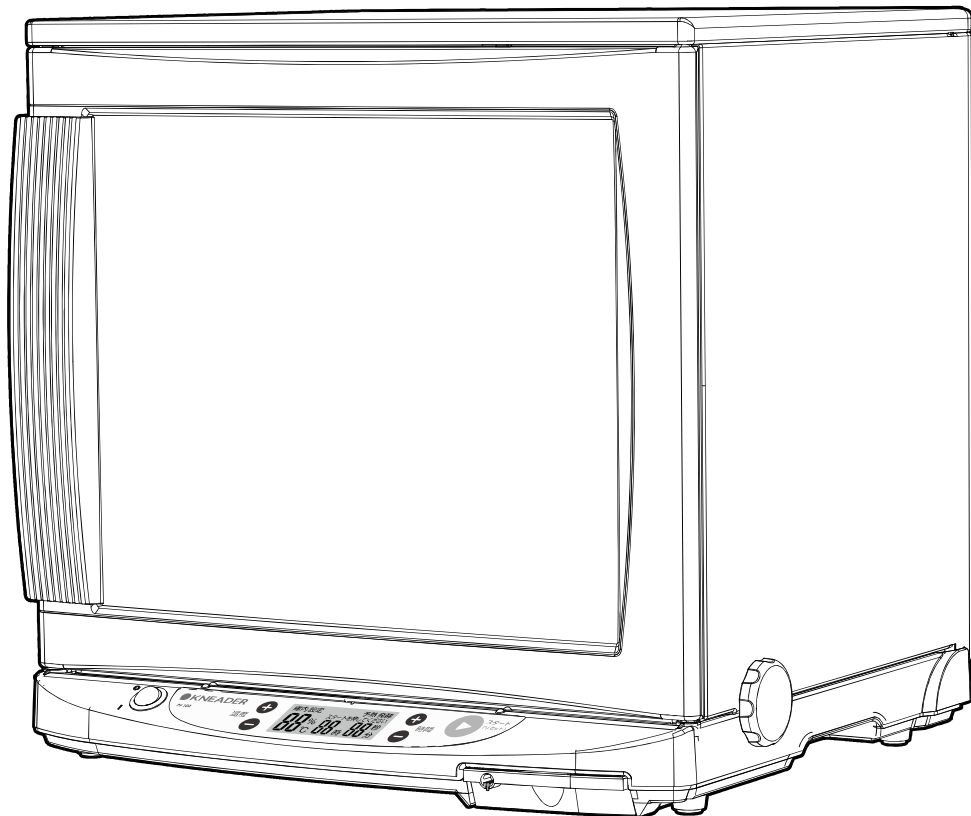


JAPAN

Proofer

Model Number : **PF102W**

User's Manual



Thank you for purchasing the Proofer PF 102W.

Keep this manual so that you can refer to it in the future.

Before using this appliance, be sure to read all the instructions.

This product is for AC220V-240V only. Do not use in areas with other voltages.



Contents

Safety instructions and warnings	2
Meaning of symbols	
Warnings	
Cautions	
Requests for use	
Features of PF102W	5
Names of parts	6
How to use	7
How to set up	
How to operate	
Using the Proofer	
After use	13
Maintenance	
How to disassemble	
Troubleshooting	16
After-sales service	17
Specifications	18


Safety instructions and warnings

The content below consists of important safety instructions to prevent harm or damage to yourself or others. Be sure to follow instructions.








● In case of wrong usage what may occur:









 Warning	Can lead to serious injury or death.
 Caution	Can lead to harm to persons or damage to property.












Meaning of Symbols

	Never do.		Do not use near fire.		Be sure to unplug from the outlet.
	Do not touch.		Use only in dry environment. Never use in damp places, such as baths, washrooms, or on wet floors.		Do not handle plug with wet hands.
	Do not attempt to repair or modify the appliance. Refer all servicing to authorised repair technicians.		Always obey the display signals.		Extremely hot. Specific explanations on appliance.

Use this appliance according to the written cautions and warnings. Carefully avoid any accidents.

 Warning	
 Remove the dust from the power plug. Dusty plugs may cause fire and electrical shock hazards.	 Do not damage or modify the power cord. Damaged or modified cords are fire and electrical shock hazards.
 Do not excessively twist, pull or bend the power cord. Doing so can damage the cord. Damaged cords may cause fire and electrical shock hazards.	 Do not touch plug with wet hands. Electrical shock hazard.
 Do not place objects on power cord. It may lead to short circuits. If the power cord is damaged, it may cause an electric shock or fire.	 Do not overload outlets. Circuit overload may cause malfunction and electric shock.

 Warning	
 Do not wash heating parts. If water gets inside the heater, it may cause short circuiting or malfunction.	 Use with AC220V-240V outlet only. Overload of electrical current may cause electric shock or malfunction.
 Heating parts should not be disassembled or modified. Disassembling or modifying heating parts may cause malfunction or fire. Inside this appliance and high-voltage component there is a high risk of electric shock causing serious physical injury. Any internal inspection, repairs for this product not disclosed or described in this manual, should be referred to the store where you purchased.	 Do not share outlet with other appliances. Branch outlet becomes abnormally hot when used with other appliances, posing a risk of fire.
 Children are strictly prohibited from using this product. Keep children away from the products. Risk of burns, electric shock and injury.	 Keep 4.5cm away from the appliance. Close quarters may cause malfunction or a fire.
	 Do not place the lower shelf plate directly on the heater surface. May cause malfunction or fire.

 Caution	
 Do not use on an unstable surface or over a powdery/oily surface. Dropping the product can cause injury. Make sure to place it on a flat stable surface.	 May not be used in vicinity of fire or water. In case of getting water into the product. It may cause electrical shock hazard.
 Never place any objects on top of the appliance. It may cause it to be deformed or damaged.	 Do not pour water over the operating panel. Electrical circuit may fail. In case of getting wet, wipe immediately with a dry cloth.
 Do not place more than weight of 5kg on the shelf plate. Do not place excessive weight on the shelf plate. There is risk of damage.	 Do not use other than fermentation of bread dough or yeast (leaven). May overheat and cause accident.
 When disassembling, make sure to start from door. Otherwise door may fall, causing risk of injury.	 Do not clean with flammable solvents. Fire hazard.
 Do not touch the hot plate or humidification dish when in use or immediately afterwards. The top of the heating plate may reach the temperature of 100°C. Do not touch.	 Keep unplugged when not in operation (e.g., cleaning or maintenance). Be sure to unplug during maintenance.

Requests for use

◆ **In the following cases, unplug and stop operation immediately. Consult the store where you purchased.**

- Power switch doesn't work.
- Power cord or plug is damaged or frayed.
- The appliance has been deformed from falling.
- Liquid gets into the heater.
- The appliance has been exposed to prolonged rain and/or wind.
- The appliance emits smoke or burnt smell, does not work normally even in accordance with the Instruction Manual.

◆ **The warning label attached to the appliance contains important notes for your safety. Read the following precautions:**

- The attached safety label must be in a visible place, and should not be covered or hidden.
- Do not remove or modify the label.

◇ Accidents, failure, or visible deterioration due to factors such as (excessive UV) light, extreme temperatures, humidity, detergent, oil, mold, prolonged non-use may occur due to time-related deterioration. Also, general abrasion of parts and abrasion caused by repeated opening and closing of door over several years may lead to deteriorative failure.

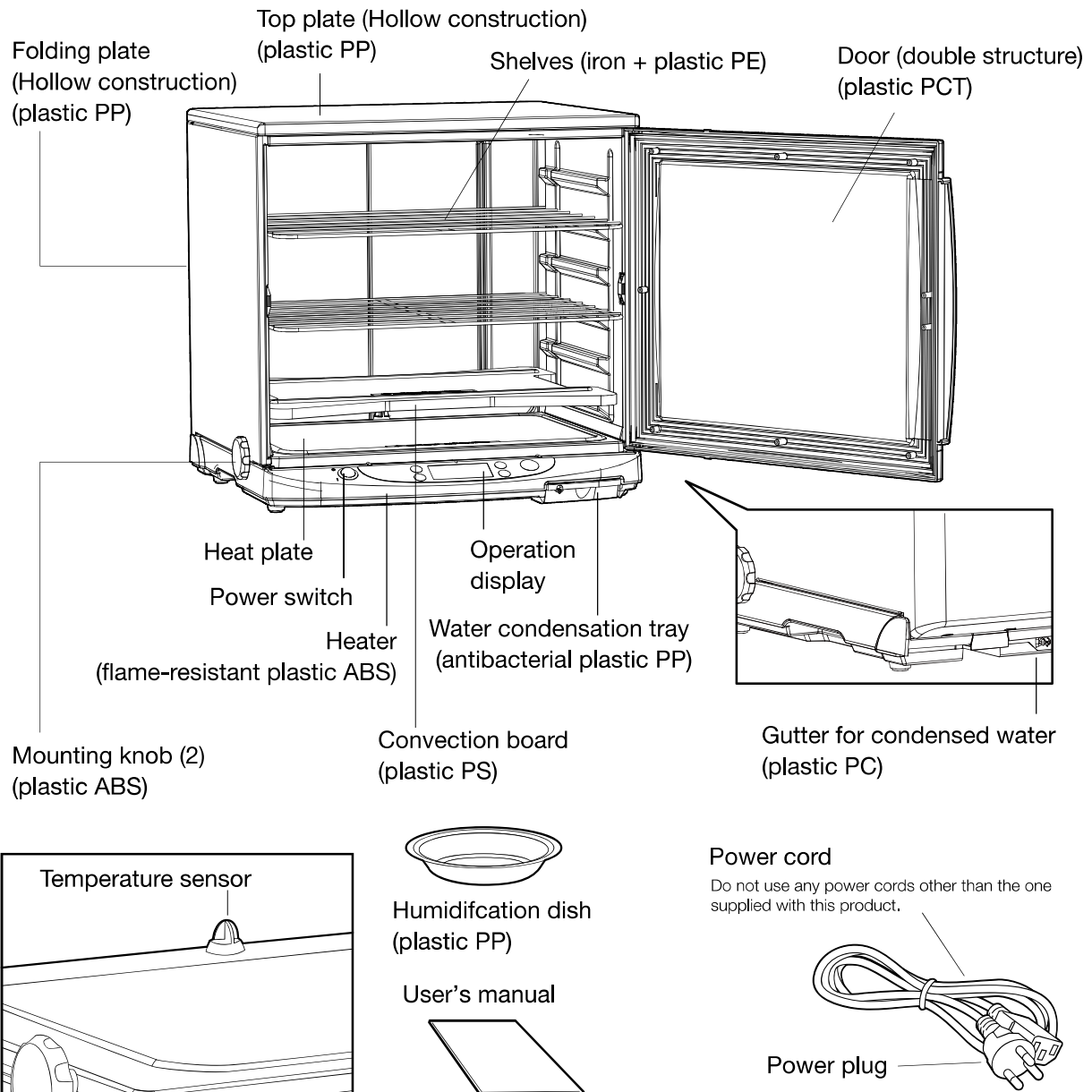
◇ Always remember to unplug after use to prevent accidents.

Features of PF102W

- 1** Easy to set up without using any tools.
Can be folded into a compact size, therefore does not take up storage space.
- 2** The folding and top plates are double plastic structured, lightweight, and durable with excellent insulation. (PAT. JP4613253)
- 3** The door can be attached either from the left or the right.
- 4** Timer; up to 12 hours
- 5** Temperature range is between 20 to 45°C.
PF102W does not have a function to lower the temperature, and does not go below the room temperature.
- 6** The inner wall convection system (PAT. JP5607601) allows for uniform proofing with advanced air circulation.
- 7** High-precision temperature control
Three independent sensors to control the temperature.
- 8** Equipped with a tray to accumulate dew condensation.

Names of parts

Names of main parts



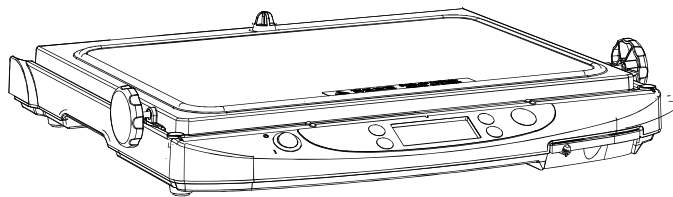
【Appliance and accessories】 First, check whether the following items are all included.

- | | | | | |
|-------------|--------------------------|---|--------------------------|---------------------|
| Main body | <input type="checkbox"/> | Heater, folding plate, top plate and door | | |
| Accessories | <input type="checkbox"/> | Shelf plates (2) | <input type="checkbox"/> | Humidification dish |
| | <input type="checkbox"/> | User's manual (this book) | <input type="checkbox"/> | Convection board |
| | | | <input type="checkbox"/> | Power cord |

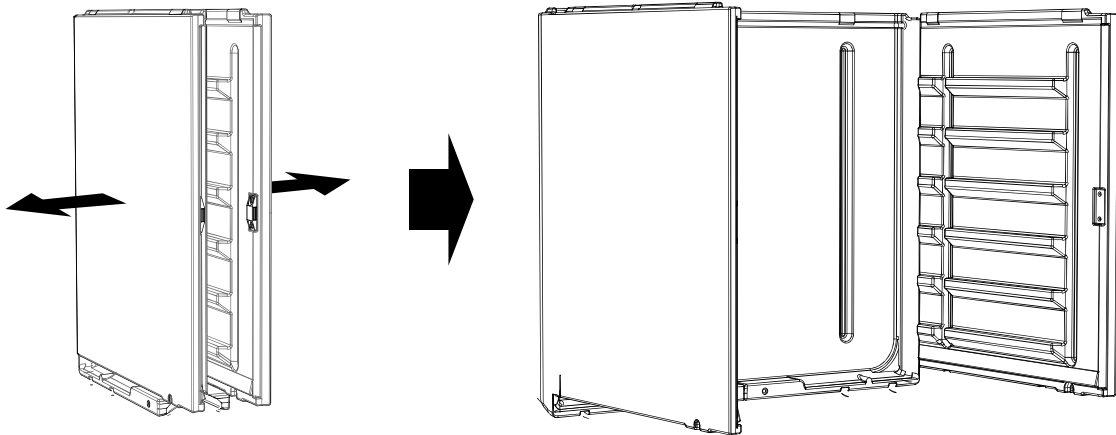
How to use

How to set up

- 1 Place the heater on a stable surface.



- 2 Unfold the folding plate.

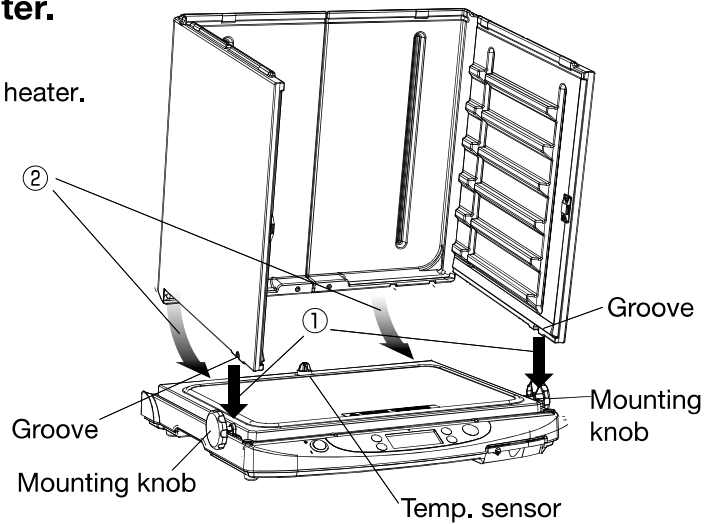


- 3 Attach the folding plate to the heater.

① Fit the groove into the mounting knob of the heater.

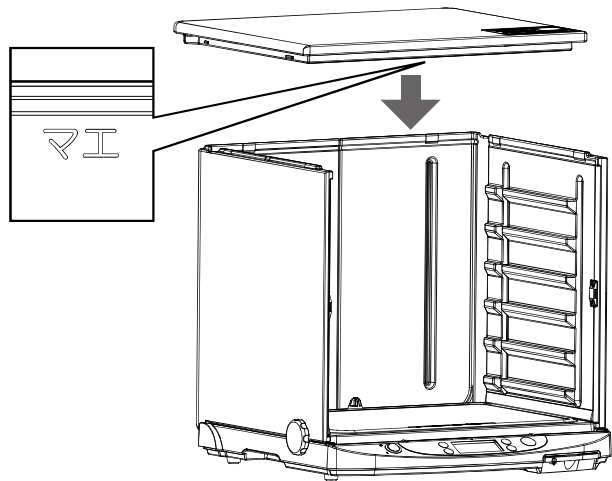
② Attach the folding plate to the heater.

※ Do not pressure on the temperature sensor.



4 Attach the top plate by lightly tapping with your hand from above.

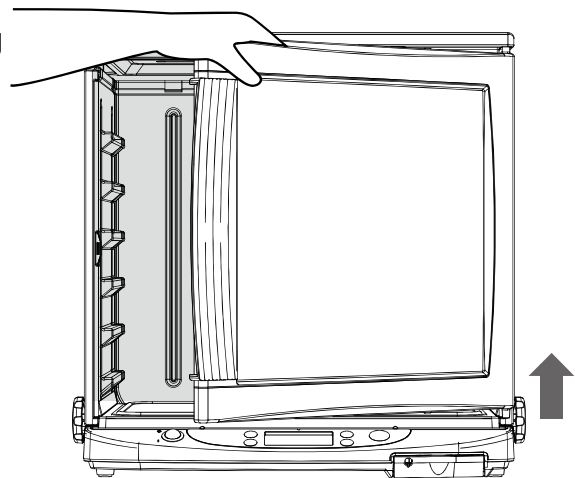
“マエ” (front) is written on the inner top plate. Place it properly as shown.



5 Attach the door while slightly lifting the folding plate.

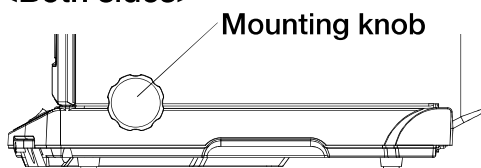
(The door can be attached either from the left or the right)

Fit the upper protrusion of the door into the hole of the top plate.
Then fit the lower protrusion to the heater while lifting the top plate in the direction of the arrow.

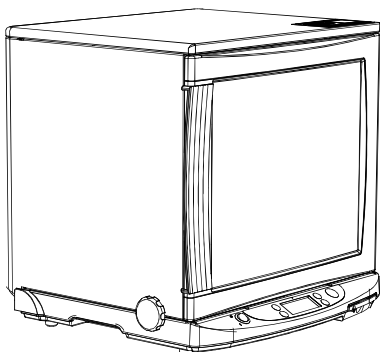


6 Attach the door to the heater and the folding plate and tighten the mounting knob firmly.

<Both sides>

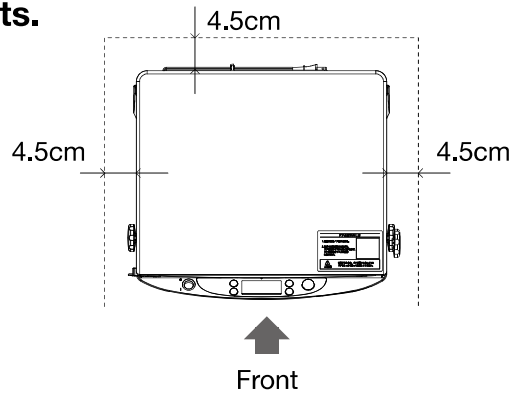


Assembled product image

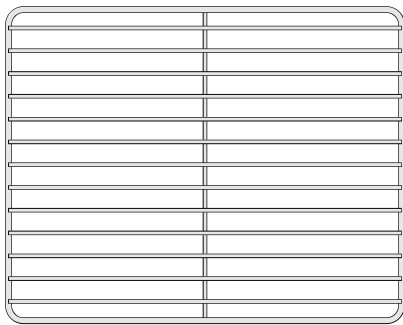


7 Place on horizontal surface and keep the proofer a proper distance away from the walls and other objects.

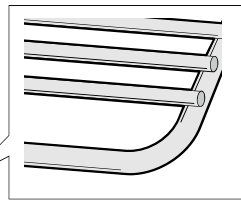
Leave a space more than 4.5cm away from it.



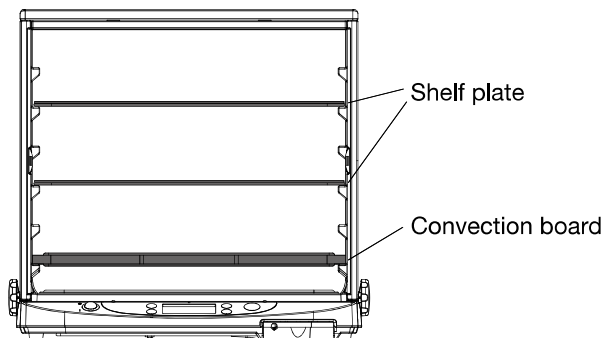
8 Shelves with the frame should face up.



Insert the rack with the grills facing up.

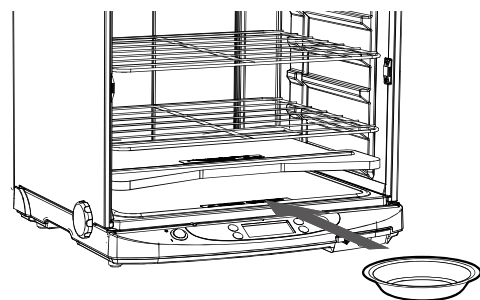


Shelves can be added as purchase options.



9 Place the humidification dish.

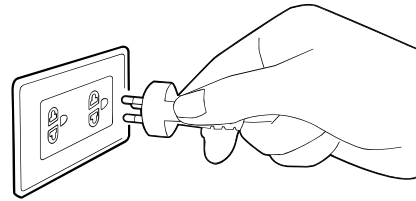
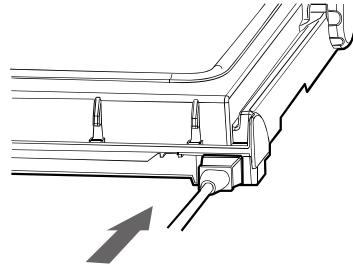
Fill it with about 200cc of water and place it in the center of the heater.
Add more water as you need.



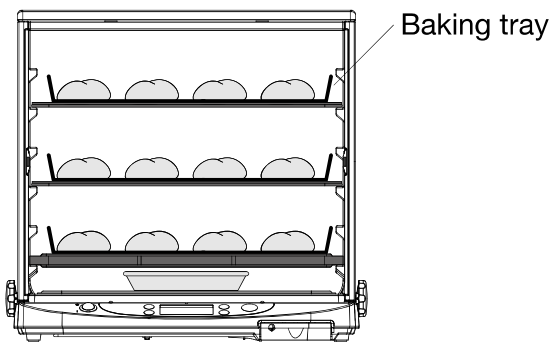
Humidification dish

10 Attach the power cord to the body and then insert the plug into the outlet.

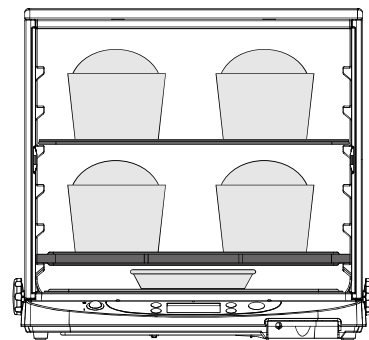
Use an outlet compatible with AC220V to 240V.
Do not connect it to the power strips.



11 After the preheating is completed.



About 3 baking trays with small rolls will fit in



4 loaf pans will fit in

How to operate

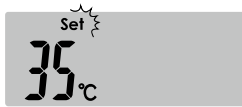
Temperature Setting button

Press the **-** and **+** button and “Set” will blink.

Set temperature while “Set” is blinking.

To change the temperature by 1°C, press the **-** or **+** button.

Keep pressing the **-** or **+** button to set the temperature in 10°C increments.

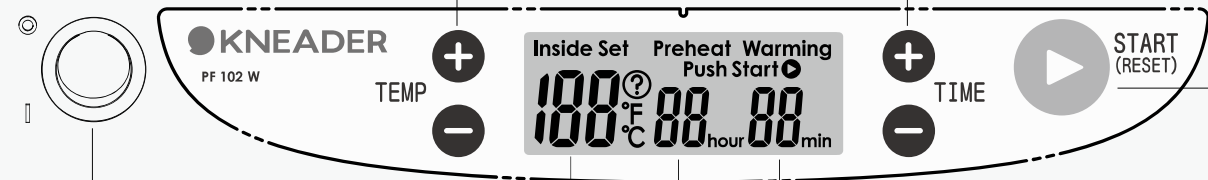


Time setting button

Press the **-** and **+** button and “Set” will blink.

Set a time while “Set” is blinking.

To change the time by 1 minute, press the **-** or **+** button once. Keep pressing the **-** or **+** button to set the temperature in 10 minutes increments. The maximum time setting is 12 hours.



Power switch

Temperature display

The displayed temperature range is 10°C to 50°C.

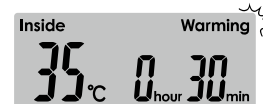
- The temperature below 10°C will be shown as LO.
- The temperature over 50°C will appear as HI.

The temperature setting range is 20°C to 45°C.

It beeps when it reaches the set temperature.

Proofing time display

The time will count when it starts proofing.



Start Button

Standby Screen

“Push Start” will blink.

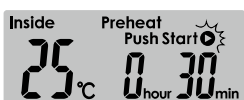
Preheating will start with pressing .



Stand by screen

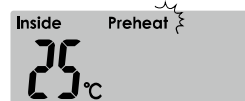
“Push Start” will blink.

Preheating will start after pressing .

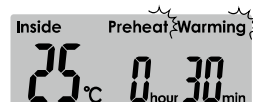


Preheating screen

“Preheat” is displayed while preheating.



Press to start proofing.



End of preheating screen

“Push Start” will blink once it is ready for proofing.

Press to start proofing.



Proofing screen

“Warming” is displayed.



Proofing-completion screen

It is automatically returned to the standby screen once it finishes proofing.

Press and the standby screen will show up.




Using the Proofer

1 Turn the power switch on.

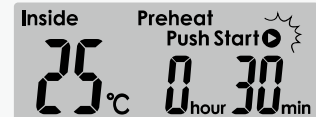
“Set” will blink on and off

88 will be displayed.



Press  and the standby screen is displayed.

O : OFF

I : ON



2 Set the temperature and the time.

Push  or  to start.


• Time setting; 1 minute to 12 hours

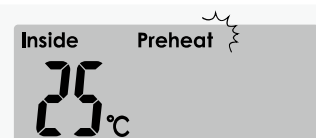
• Temperature setting; 20°C to 45°C

The time and temperature are adjustable during operation.



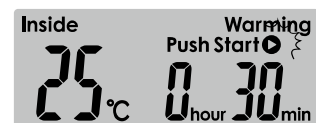
3 Press to start preheating.

“Warming” will start with pressing  during preheating.



4 A beep sound will notify you when the preheating process is completed.

Place the dough inside.



5 Press to start proofing.

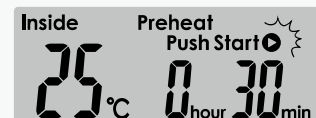


6 When it finishes proofing, a beep sound will notify you.

Leave the door open to dry after use.



※ When you wish to return the standby screen during warming, press .



1. When using for the first time, there may be a smell of resin upon opening the door. Place about 50cc of lukewarm water in a dish inside the Fermenter. Smell will disappear after a while.
2. Keep the door closed to save electric power and maintain its condition. Refrain from keeping the door open for long periods of time.
3. This appliance is equipped with auto-off feature, enhancing safety and its eco-friendly design. If after the preheating process the fermentation process has not been started, if the setting temperature and inside temperature difference are too great, and within 1 hour the set temperature cannot be reached, the heater will turn off automatically.

After use

Maintenance



Before cleaning, be sure the heater has completely cooled down.
There is a risk of burns.

After use

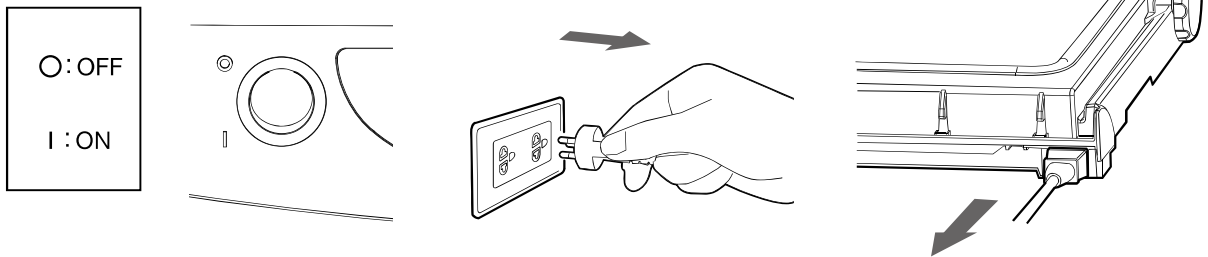
- Be sure to remove the plug from the wall outlet after use.
- Wipe off the remaining water (or any dirt) inside of the body and the door with a cloth, and leave the door open to dry.

Caution

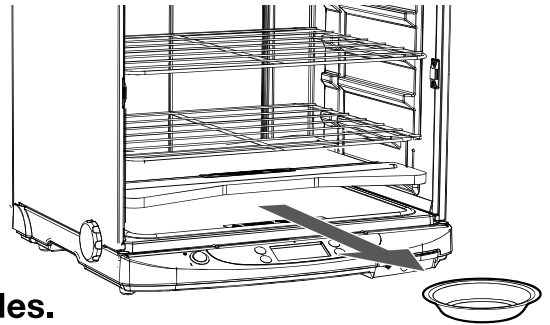
- Do not use benzine, thinner, polisher, scrub brush, or steel wool to clean the device.
- Do not wash the heater with water.
- Keep the inside of the fermenter clean.
- The following parts can be washed after disassembly:
Folding plate, Top plate, Door, Shelves, Convection board
- Mold may grow if the appliance is stored with moisture remaining inside.
It can cause deterioration of the insulation and decrease performance.

How to disassemble

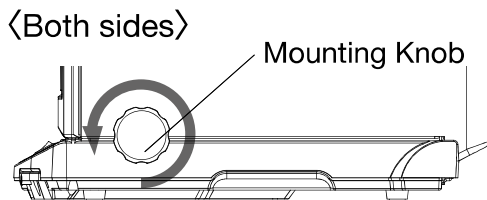
- 1 Turn off the power switch and unplug the power cord from the wall outlet and the heater.



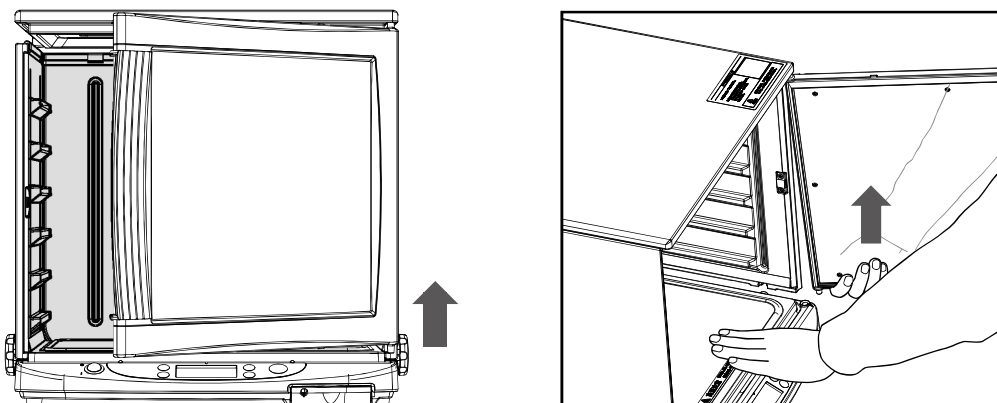
- 2 Remove the shelves, the humidification dish, and the convection board.



- 3 Loosen the mounting knobs on both sides.

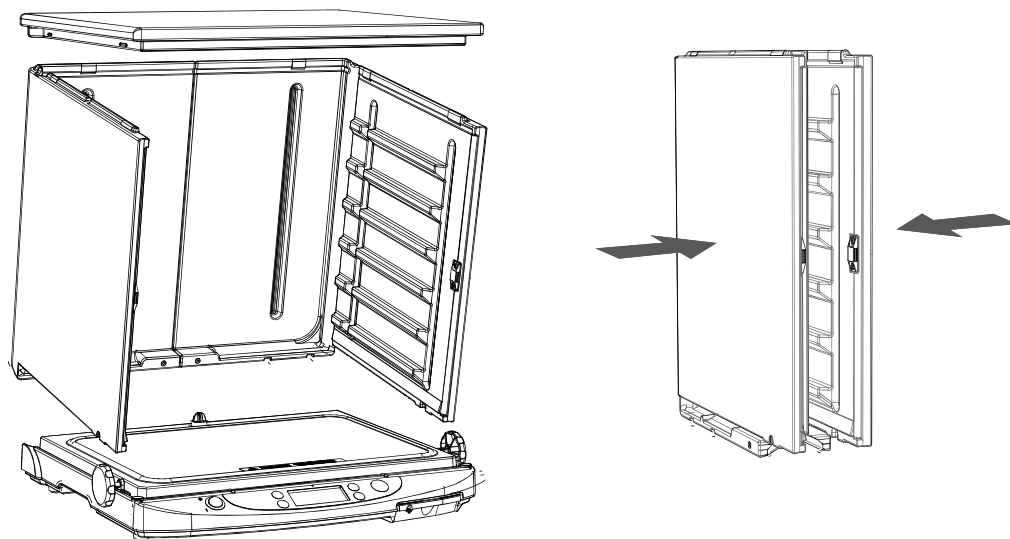


- 4 While lifting the main body with one hand, lift the door gently with the other hand from the bottom and remove it from the bottom to the top.

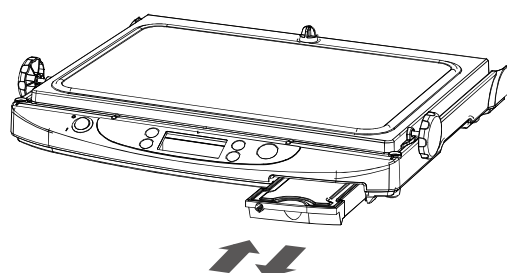


※ Be careful not to drop the door.

5 Remove the top plate and the folding plate, then fold the folding plate.

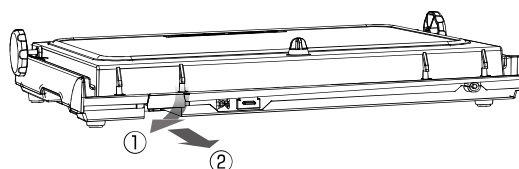


6 Drain dew condensation water.

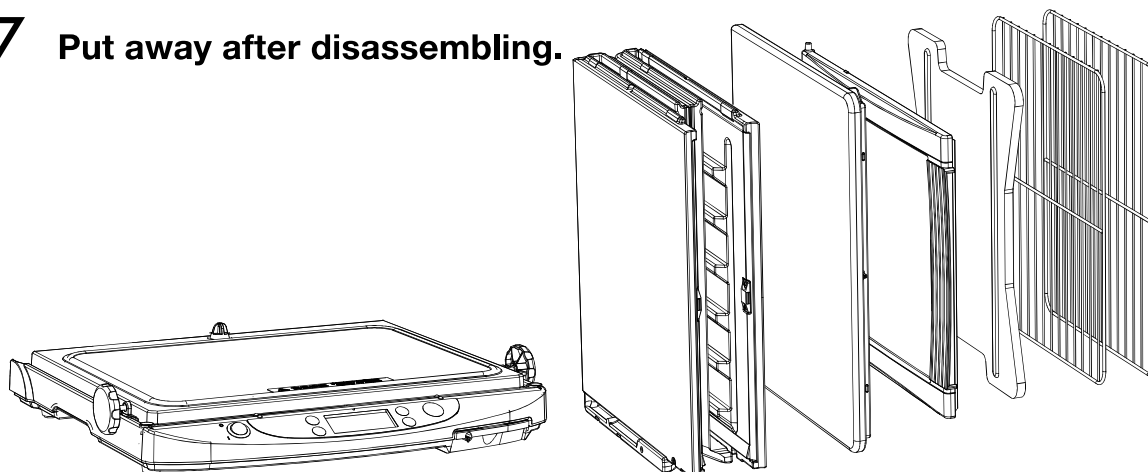


Pull the water condensation tray and drain the water.

Pull the protrusion of the gutter in the direction of the arrow and clean it (occasionally).



7 Put away after disassembling.



Troubleshooting

Check the following items before requesting repair.

Display	What to do
E0, E1, E2, E3, E4	There may be a problem with the temperature sensor if the error code does not disappear from the display even when you operate the power switch. Turn off power, unplug from outlet.
Flashing “?”	Make sure the folding plate is set properly. ▶ Set the plate in place.
Entire LCD screen flashing	Check to see if the door is open. ▶ Close the door securely.

Problem	Things to check for
No display appears even after switch is turned on.	Is the power cord securely plugged in? ▶ Plug in securely, or insert the plug into another outlet.
	Is the power switch turned on? ▶ Make sure it is on.
Temperature does not rise.	Did you press the START button? ▶ Make sure that “Preheat” light is on.
	Check to see if the setting temperature is not below room temperature. ▶ Set temperature higher than room temperature.
Temperature does not fall.	Check that the temperature setting is not below room temperature. ▶ Since this product does not have the ability to cool itself, it cannot set at a temperature below room temperature.
Does not reach the temperature setting.	If room temperature is under 18°C or over 30°C, it may not reach the set temperature. This is not a malfunction.
When set to “preheated to warm” after hearing a beeping sound, temperature falls.	Did you keep “preheating” for more than one hour? ▶ Since the preheating is only possible for up to one hour, press the START button, before time is up, to start proofing process.

After-sales service

Contact the store where you purchased for consultation on repair, handling and purchasing of parts.

Date of purchase

month	/	date	/	year
-------	---	------	---	------

Serial number

SER#

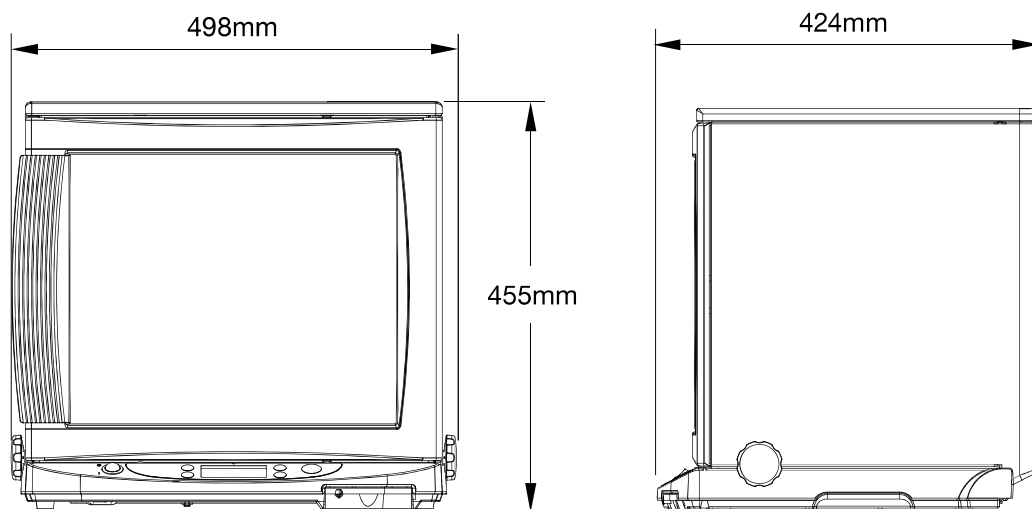
MEMO

--

Specifications

Power supply	AC 220V-240V for both 50Hz and 60Hz
Power consumption	150W
Timer	minimum 1 minute, maximum 12 hours
Temperature setting range	20°C ~ 45°C (Recommended temperature range: 18 ~ 30°C)
Displayable internal temperature of Proofer	10°C ~ 50°C under 10°C → “LO” over 50°C → “HI”
Safety features	Current/temperature fuse, Temperature monitoring system, automatic switch-off function
External dimensions (W×D×H)	498×424×455mm
Internal dimensions (W×D×H)	434×348×360mm
Cord length	approx. 1.5 m
Product weight	approx. 7.0 kg
Country of origin	Japan

■ Dimensions



For purposes of product enhancement, certain specifications or appearance may be changed without notice.

- Copying any part or the entire contents of this manual is prohibited.
- The contents of this manual are subject to change without notice.



Japan Kneader Co., Ltd.

<https://kneader.jp/en/>