

VALYÖU

Wabi Lamp

MCP-TL100

HOW TO PUT TOGETHER

Product Installation Instructions

Model:

MCP-TL100

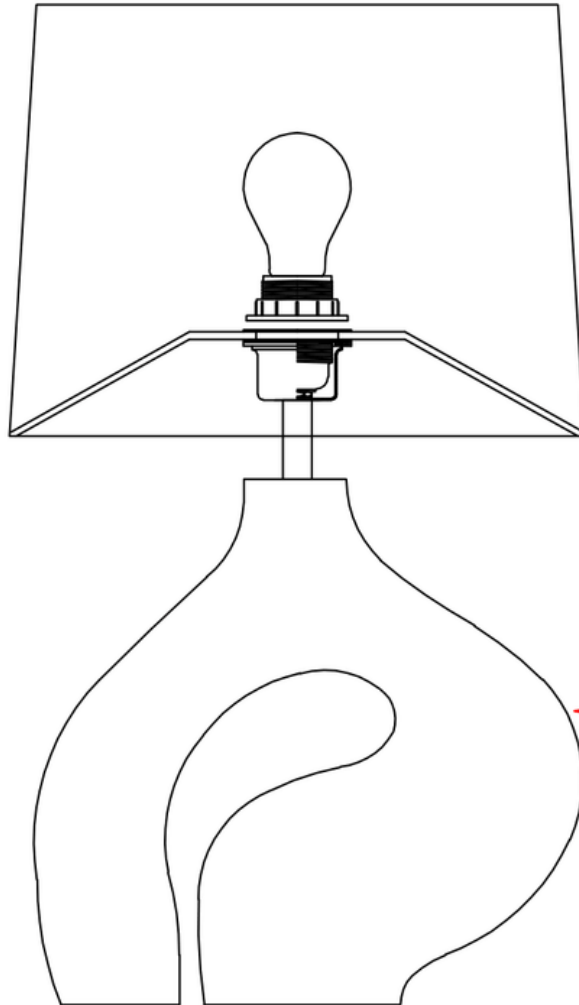
light
source:

E27 LED

Specifications:

320*550

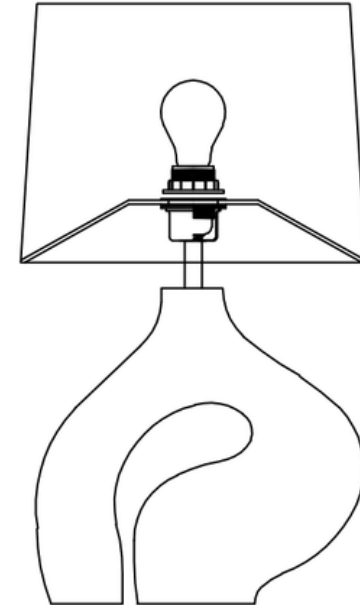
region:



Cloth cover

Resin seat

Complete the rendering



Installation Notes

warning

1: This lamp is suitable for 220V-240V power supply, 50HZ.

2: Please wear gloves when installing.

3: Don't install it on the dry ceiling. It should be ventilated and dry.

4: Lamps shall not be close to corrosive chemicals and gases containing acids and alkalis.

Do not wash with water, only clean soft cloth wipe

5: Each component shall be installed by professional electrician in sequence with reference to assembly sketch.

Adjust the lampshade.

6: When cleaning lamps and bulbs, power should be cut off.

MANUFACTURED BY
VALYOU FURNITURE® HONOLULU, HAWAII

CUSTOMER SERVICE:
SERVICIE@VALYOUFURNITURE.COM

FOLLOW US:
@VALYOU FURNITURE

