

VALYÖU

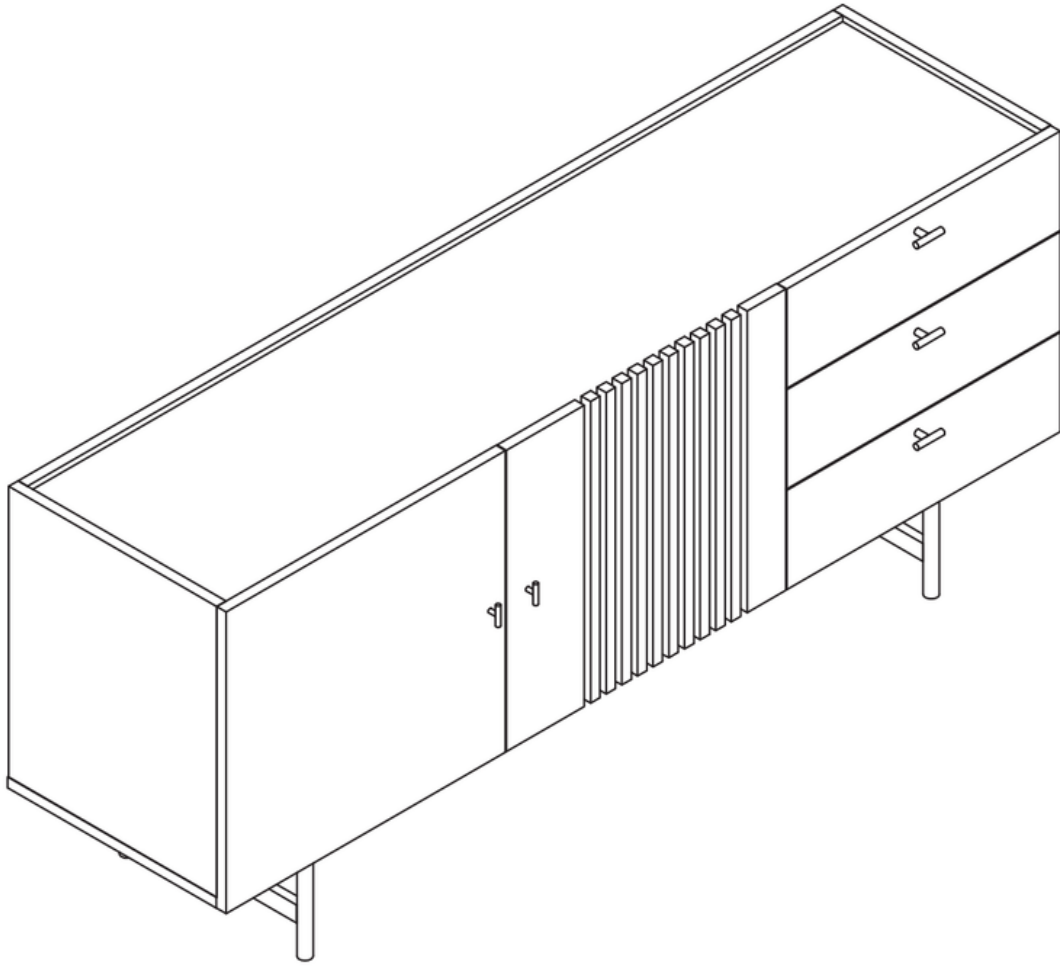
VALMOR SIDEBOARD

19025

HOW TO PUT TOGETHER

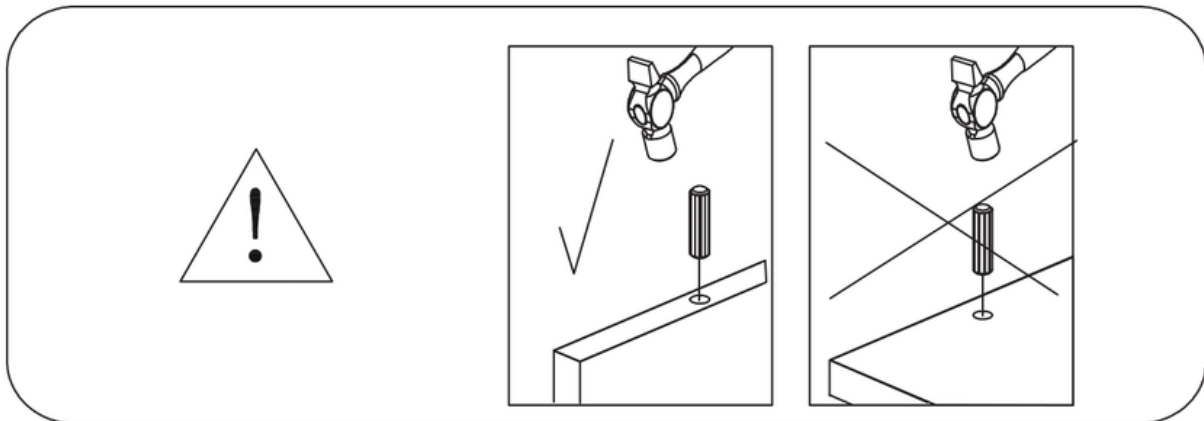
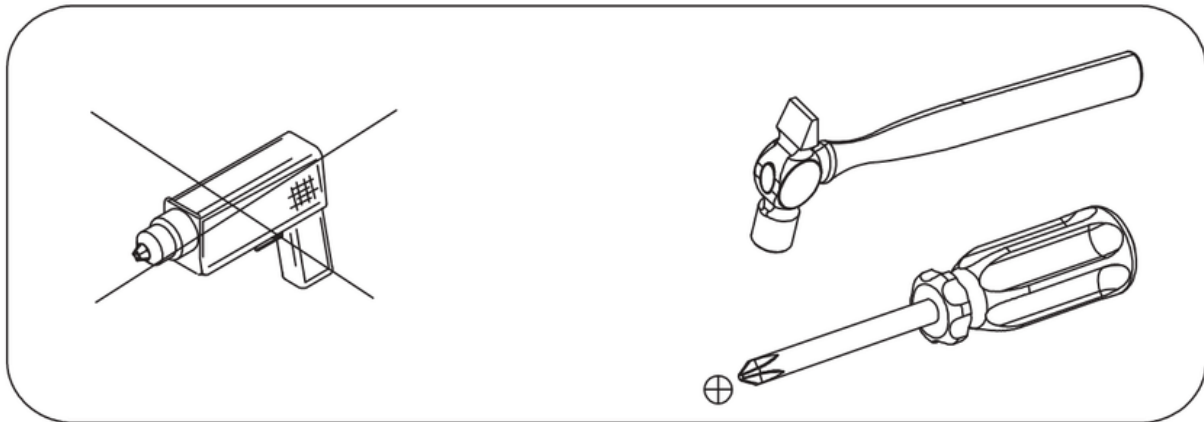
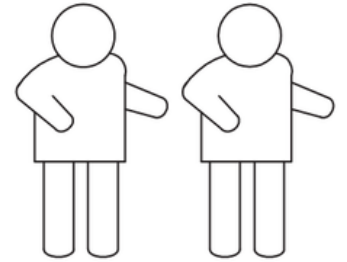
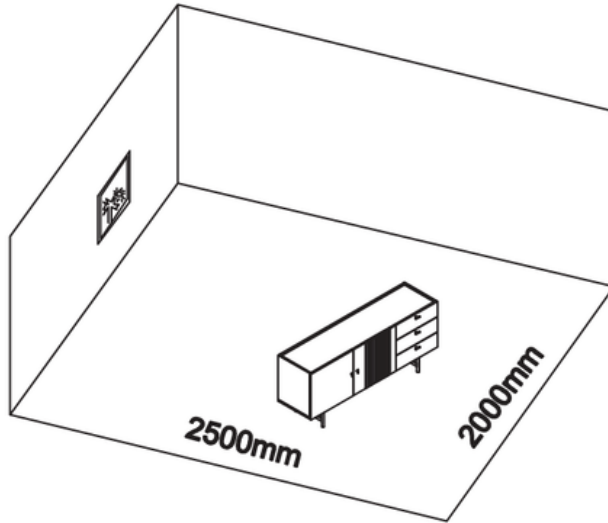
Assembly Instructions

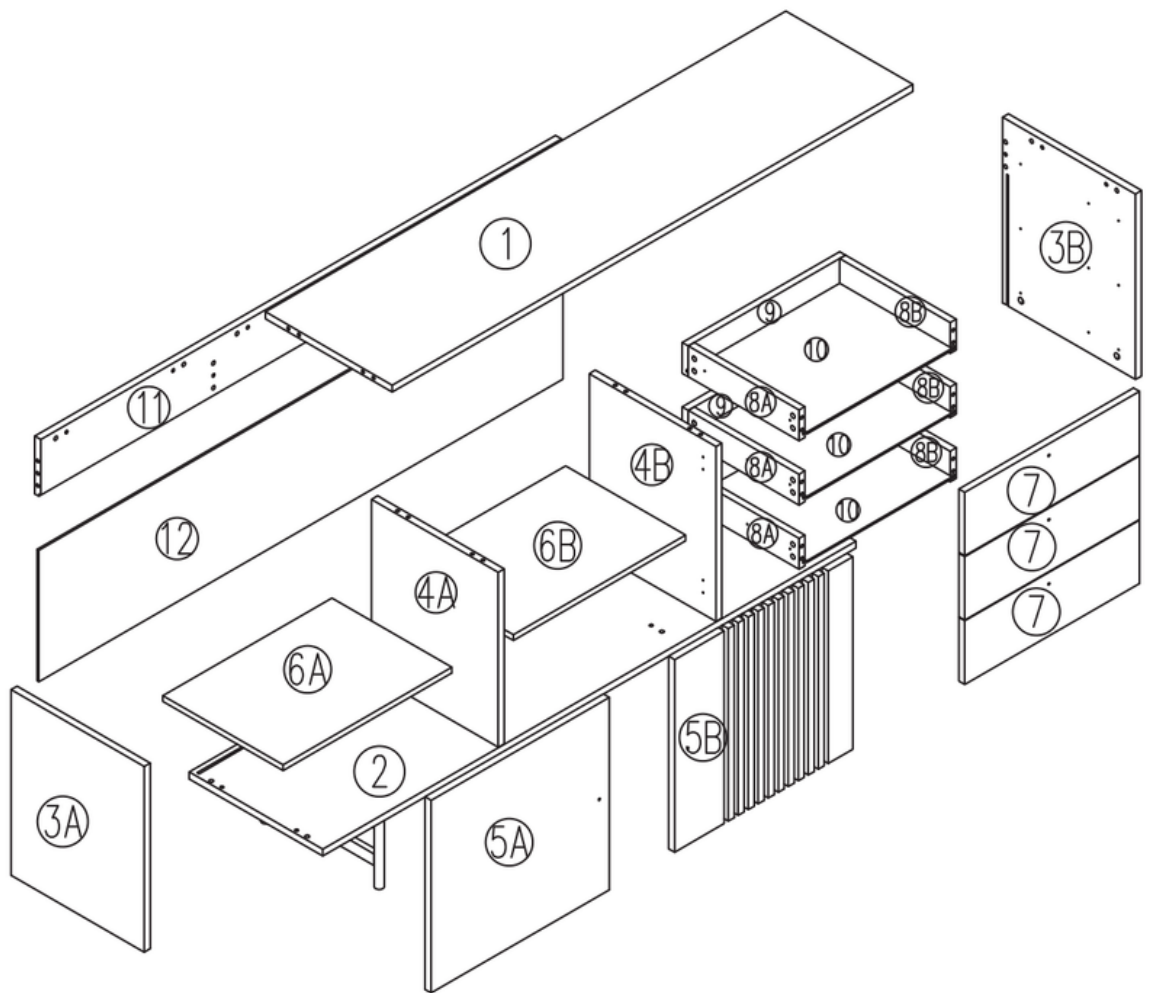
19025





60 min



























		19025
1	1	1562x381x18MM
2	1	1600x400x18MM
3A	1	482x399x18MM
3B	1	482x399x18MM
4A	1	380x454x18MM
4B	1	380x454x18MM
5A	1	535x500x18MM
5B	1	535x500x18MM
6A	1	507x360x18MM
6B	2	517x360x18MM
7	3	524x165x18MM
8A	3	332x80x18MM
8B	3	332x80x18MM
9	3	472x80x18MM
10	3	446x342x5MM
11	1	1562x150x18MM
12	1	1572x342x5MM





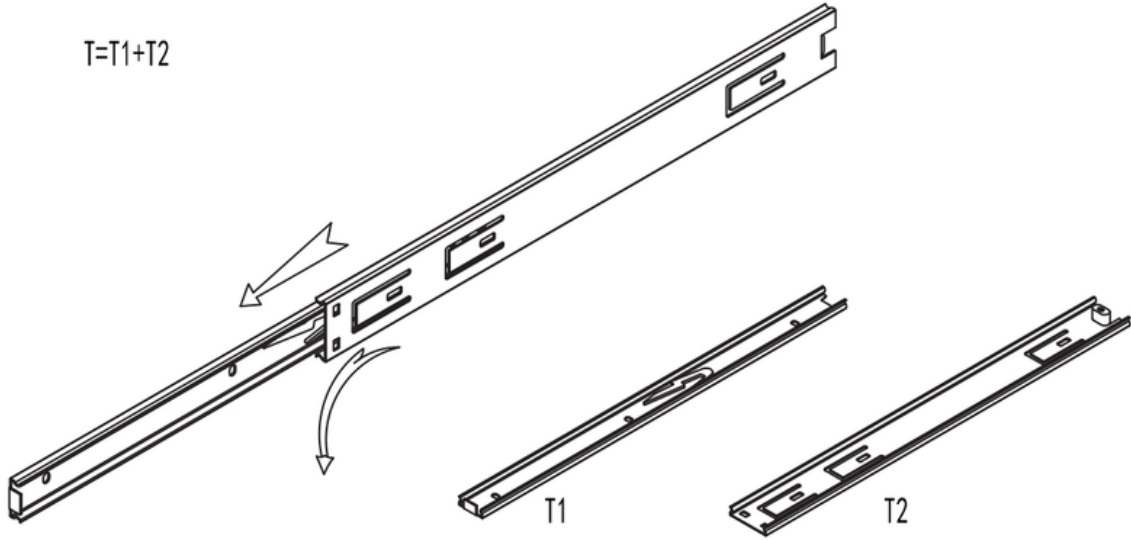
 φ 15x12 Ax30	 M6x35 Bx30	 φ 8x40 Cx26	 M3. 5x15 Dx68
 Ex1	 M6x35 Fx10	 φ16xM6x1.5 Gx14	 M6 Hx14
 Ix8	 M6x55 Jx4	 5# Kx1	 Lx4
 Mx8	 Nx2	 Ox1	 Px2
 Qx2	 Rx5	 Sx5	 Tx3
 Ux24	 Vx24		



1

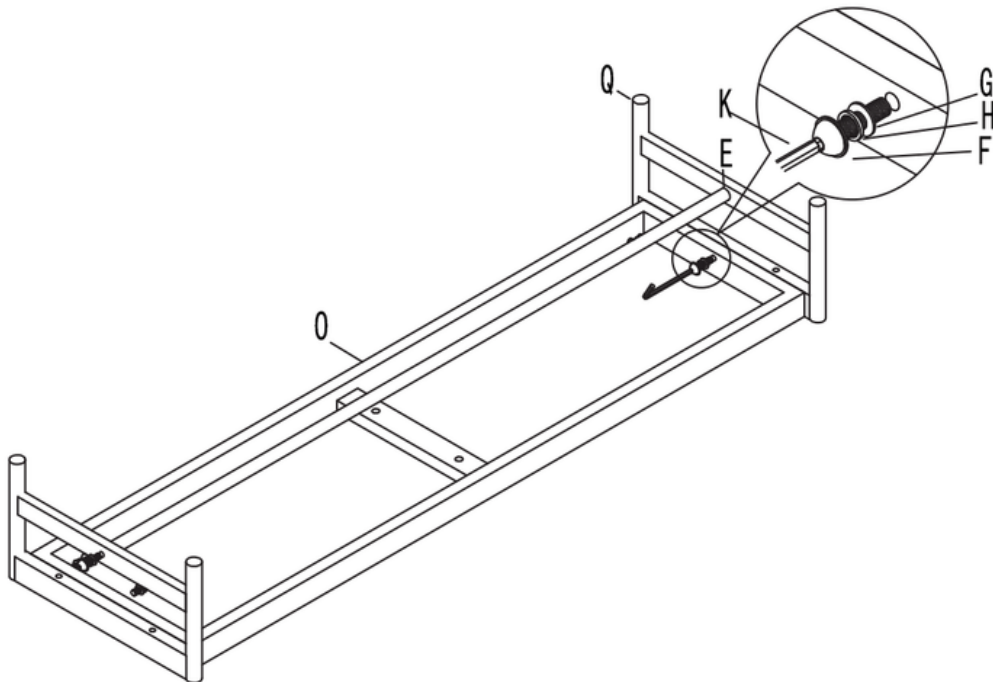
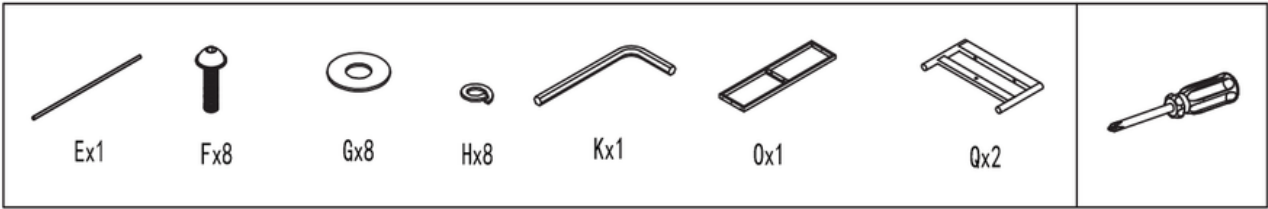


T=T1+T2

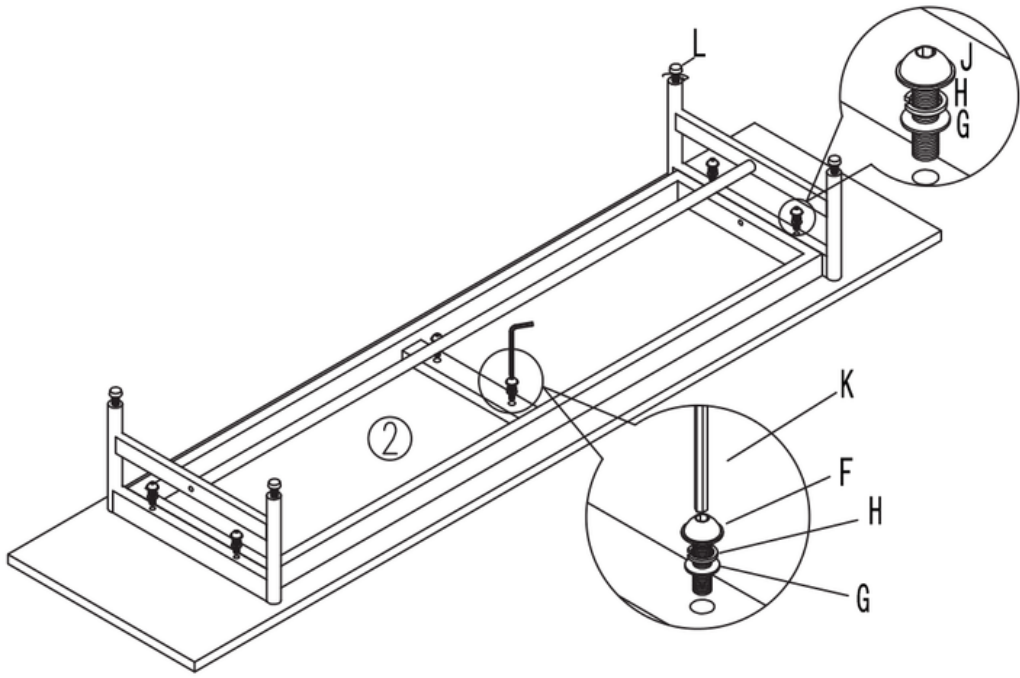
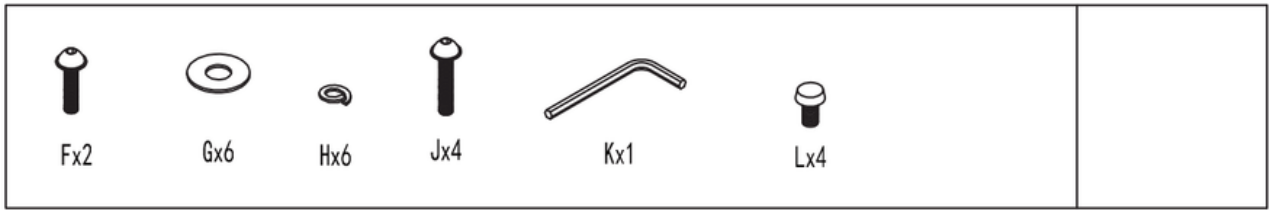


□

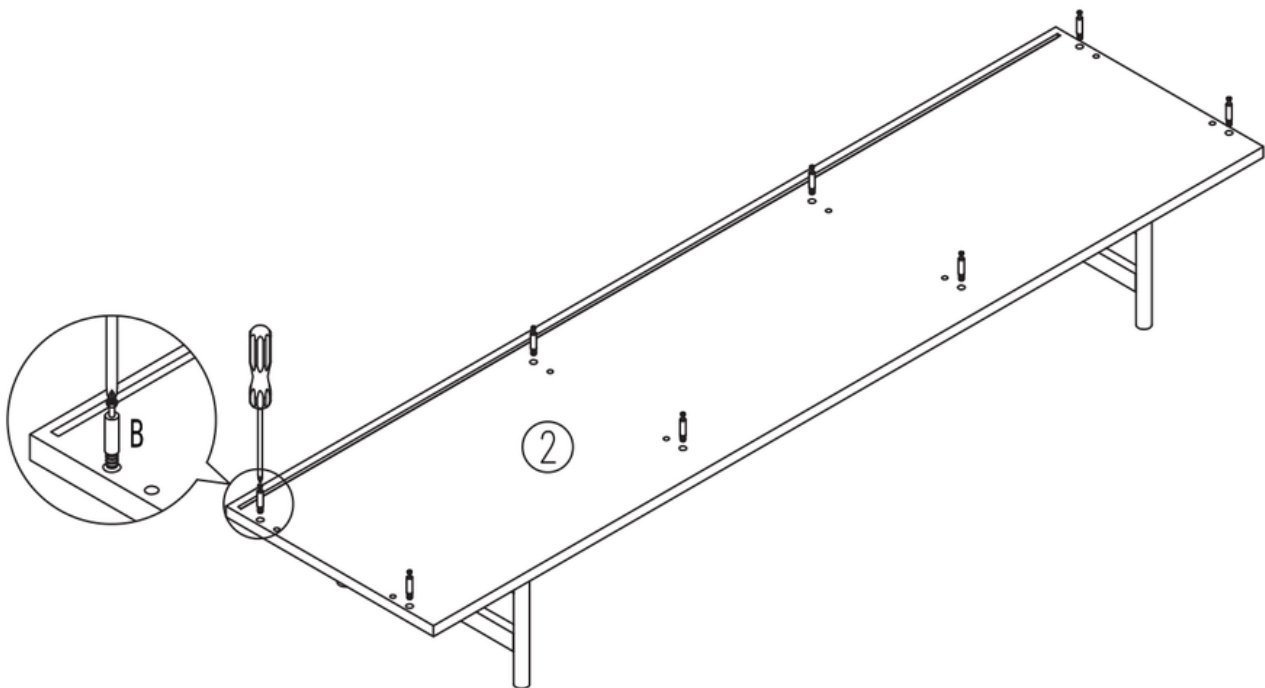
2



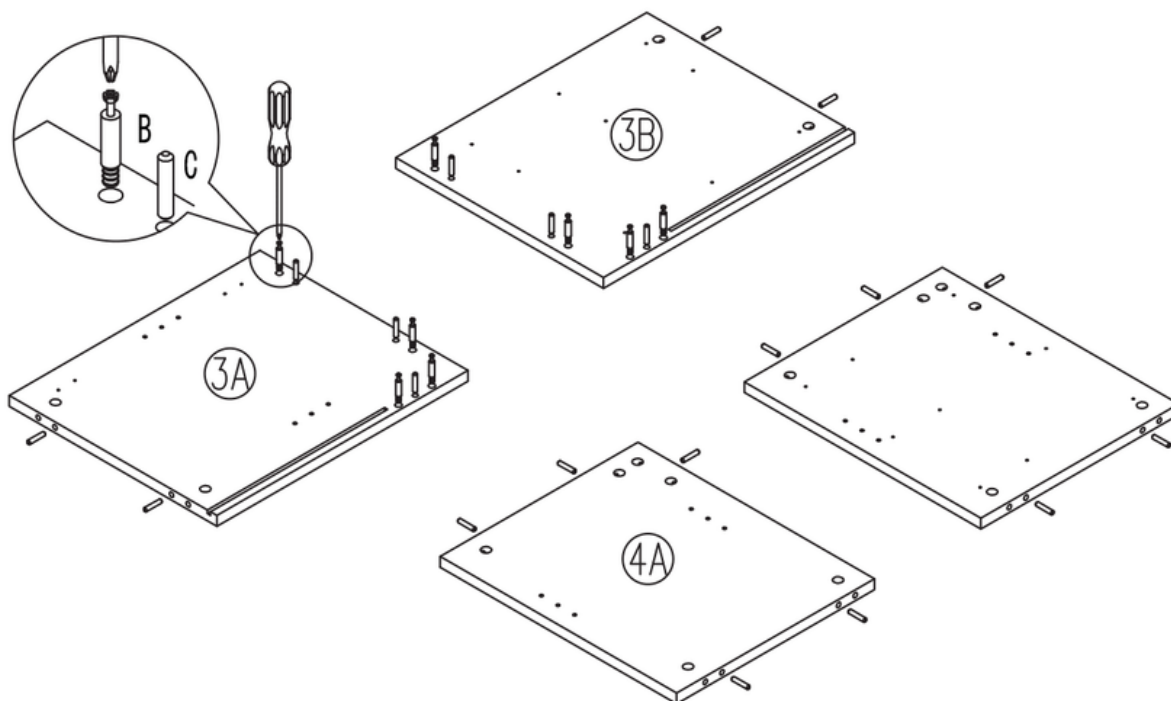
3



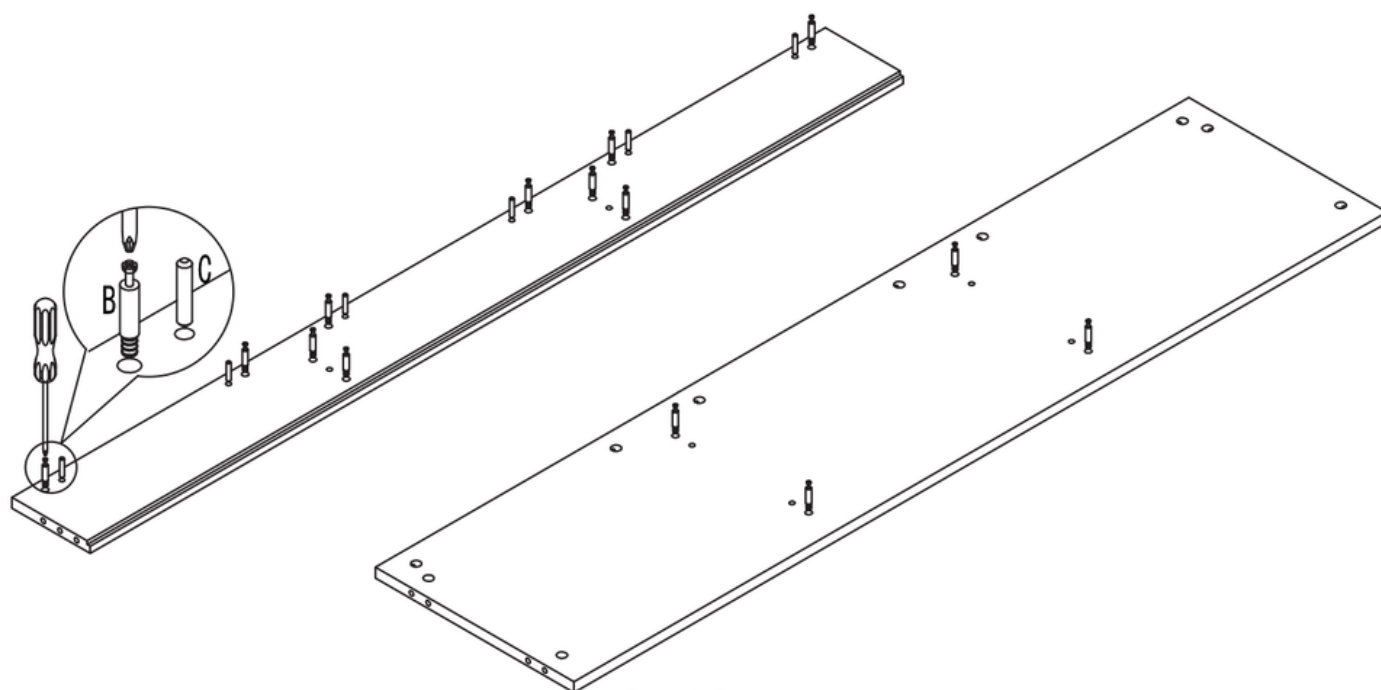
4



5



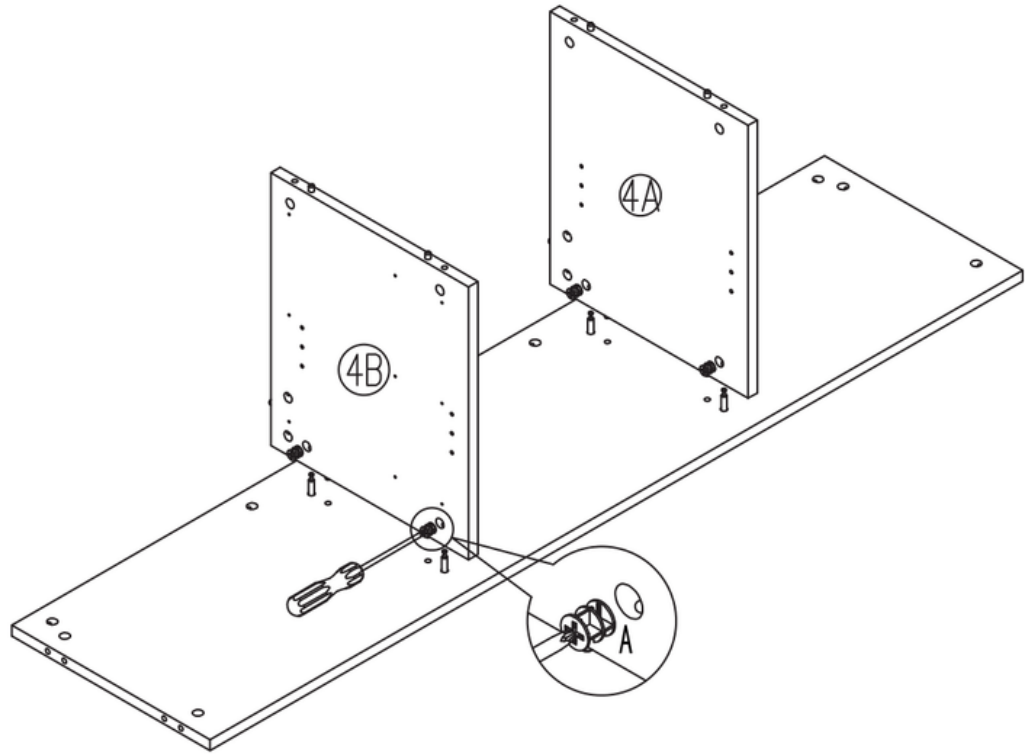
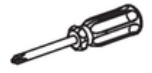
6



7



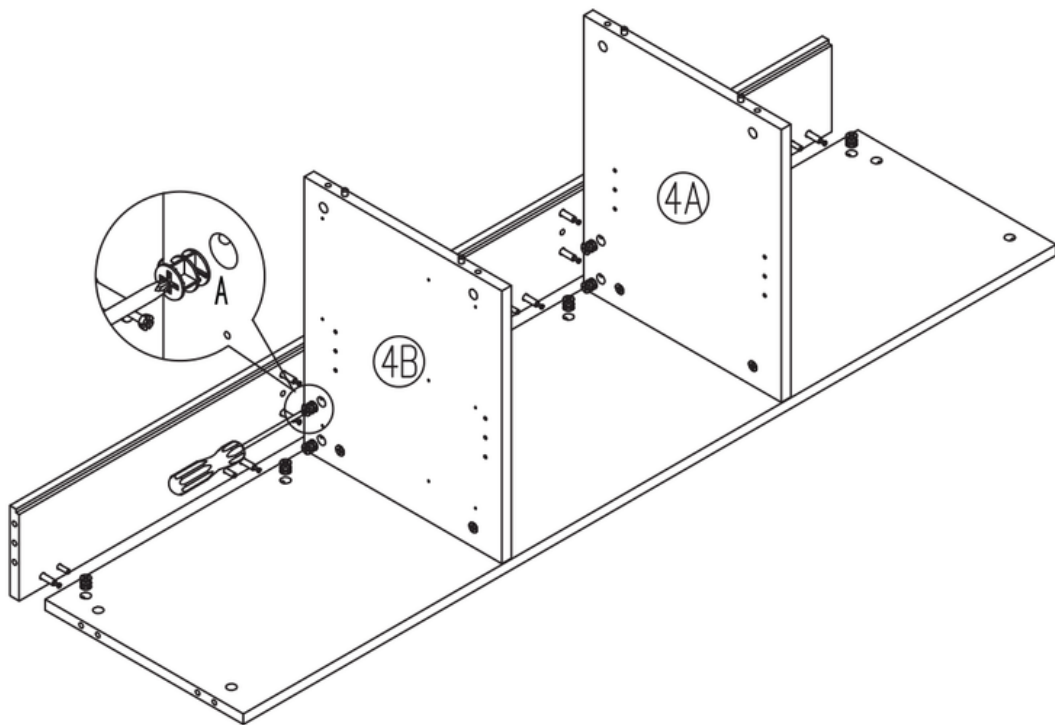
Ax4



8



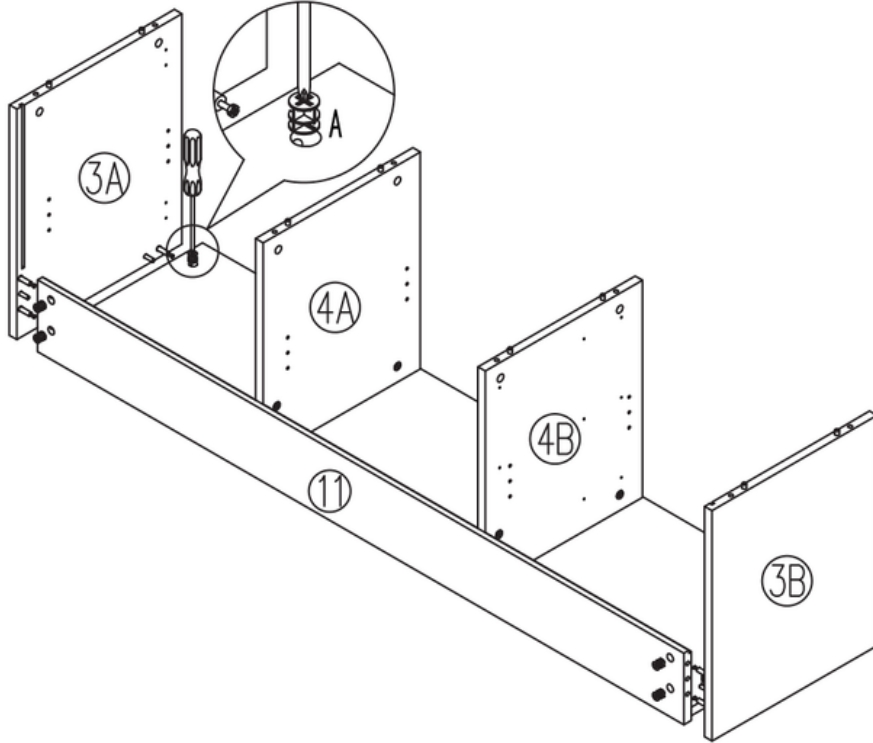
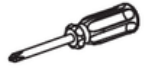
Ax10



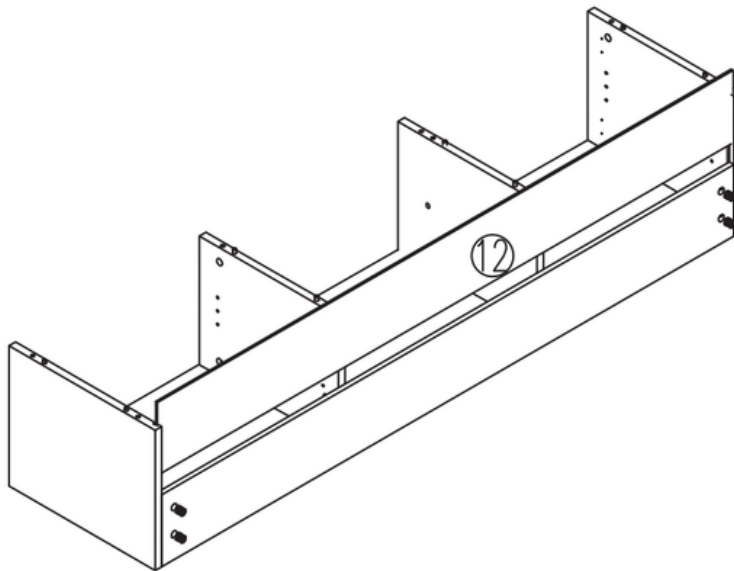
9



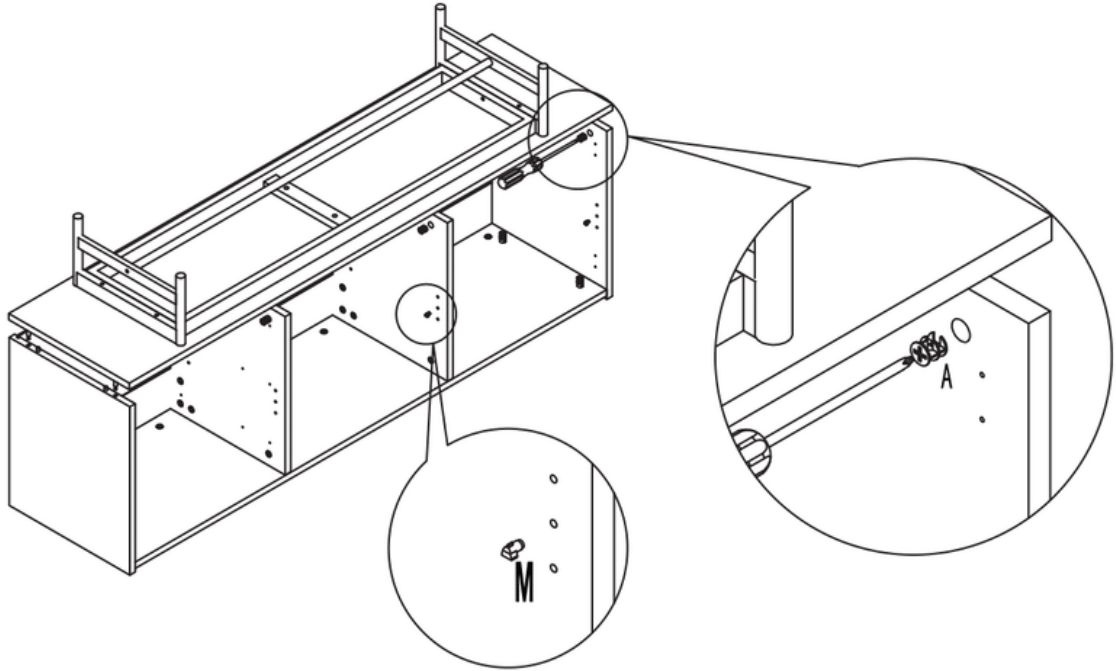
Ax8



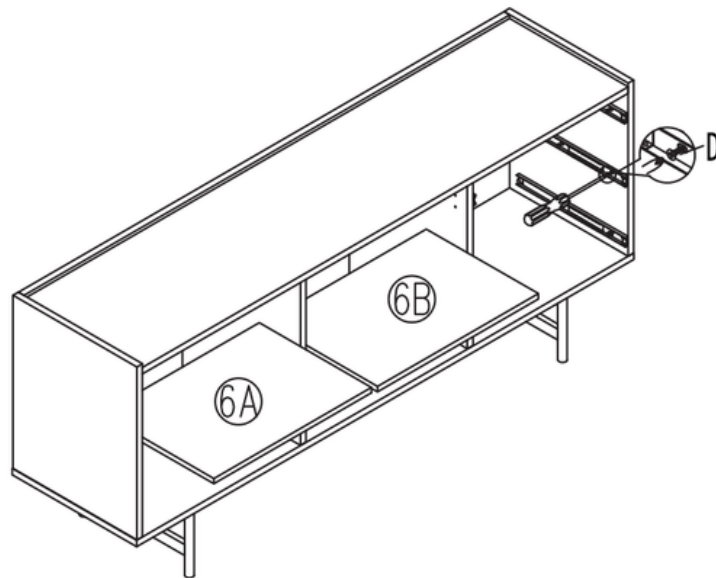
10



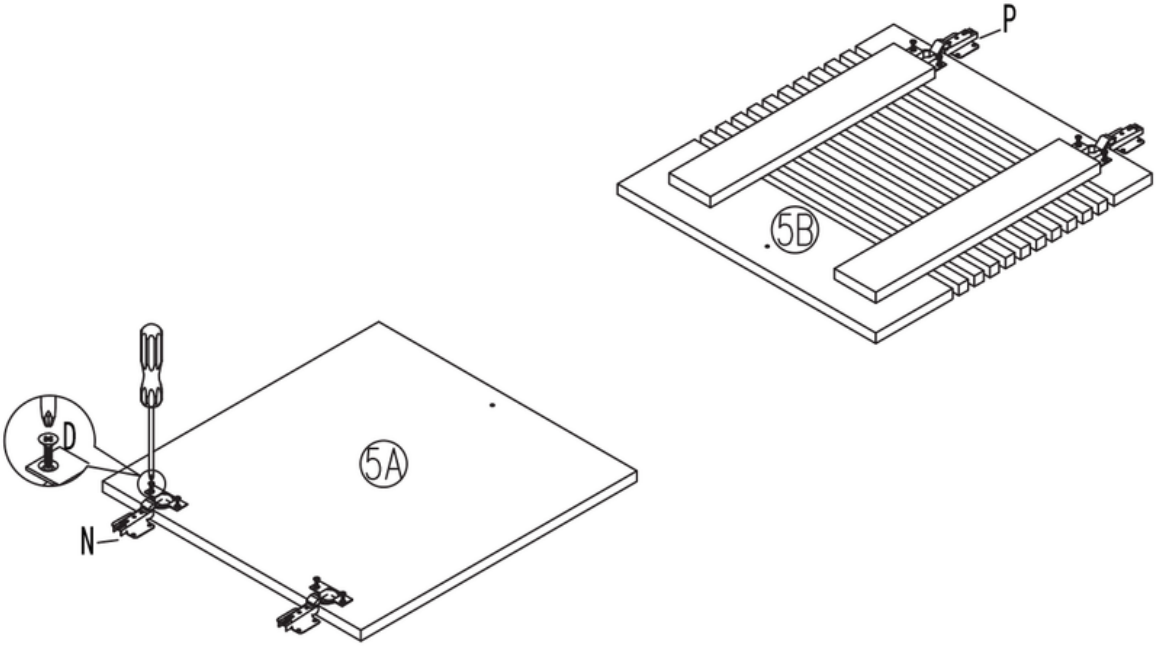
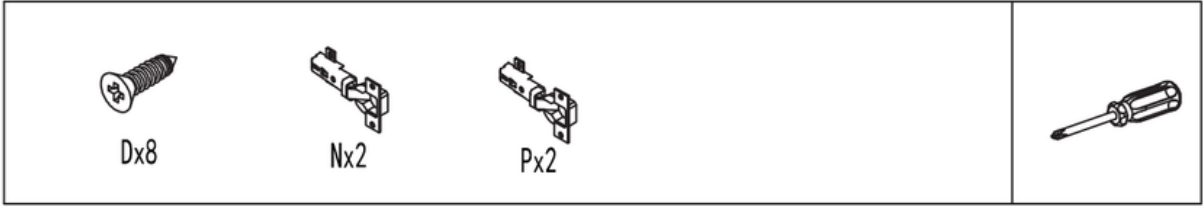
11



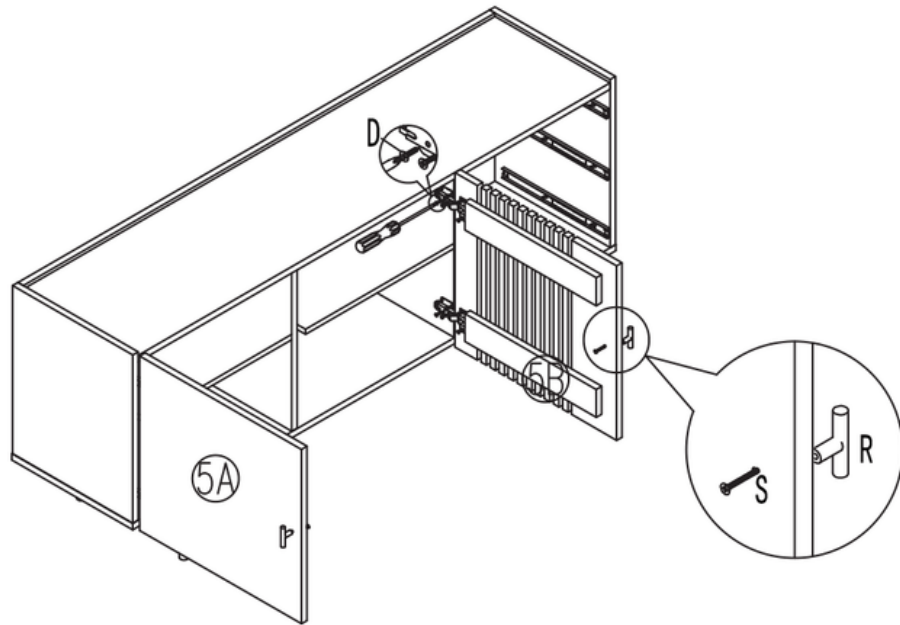
12



13



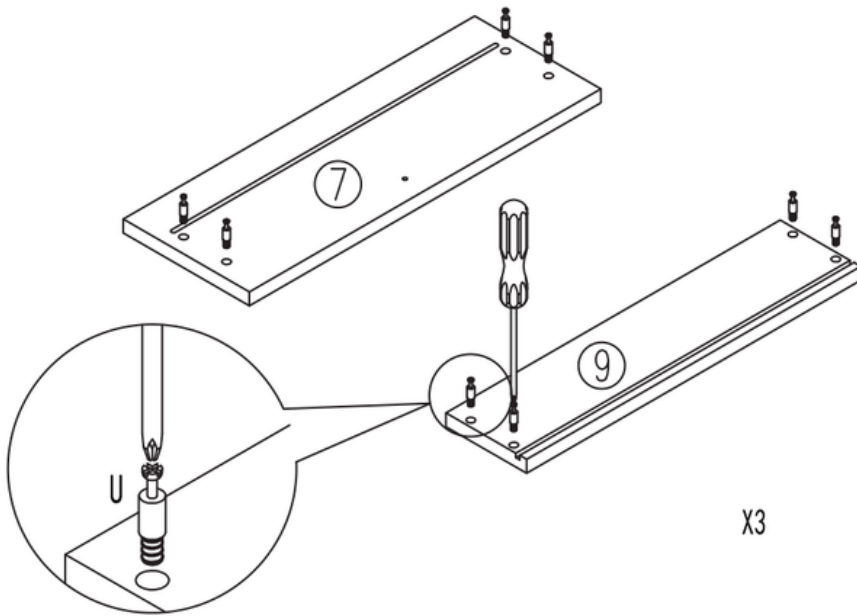
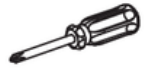
14



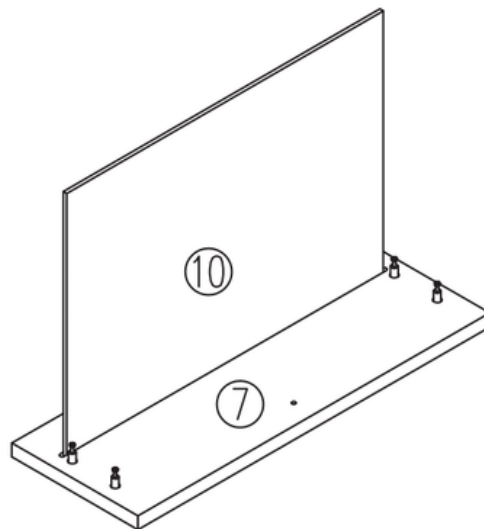
15



UX24



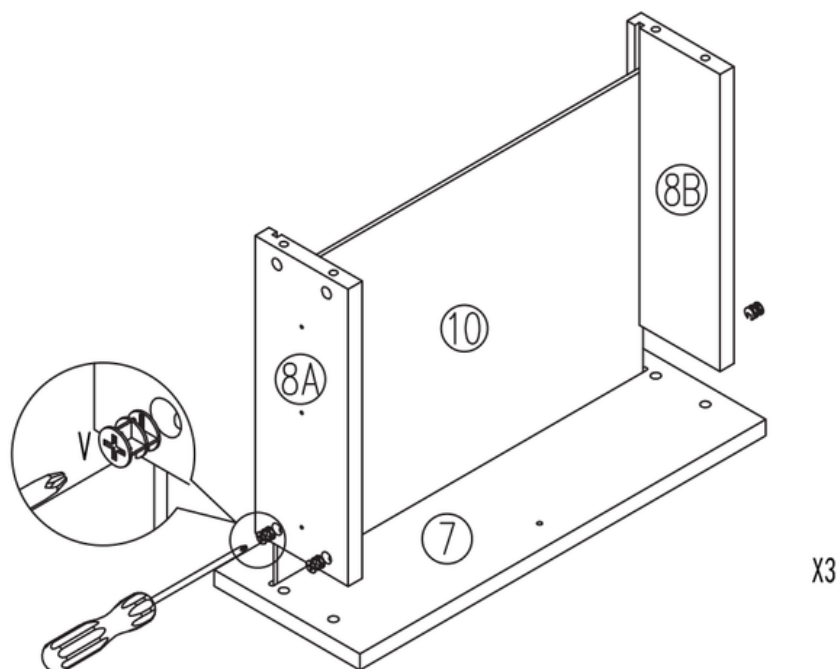
16



13-16

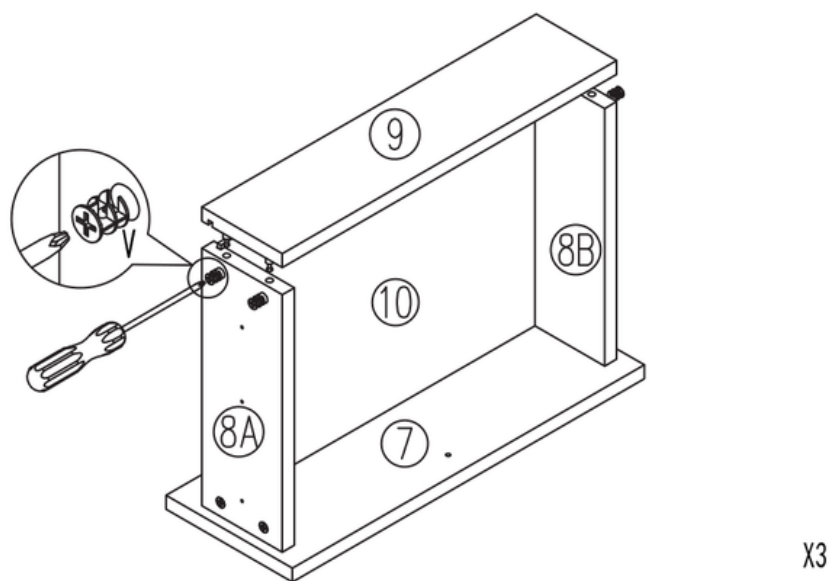
17


Vx12

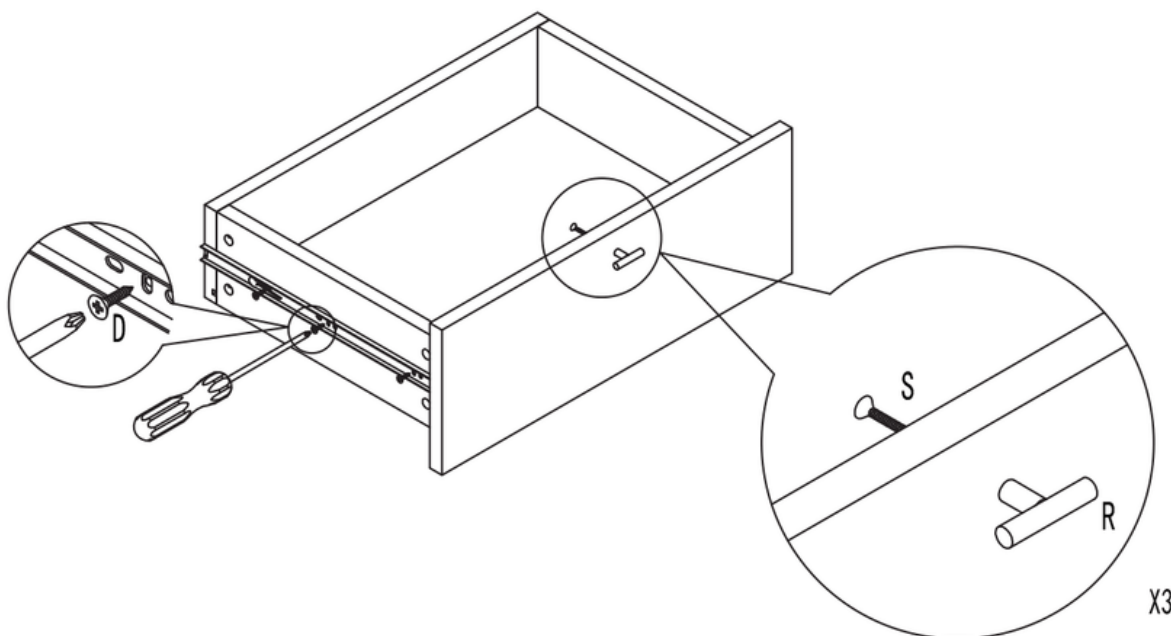
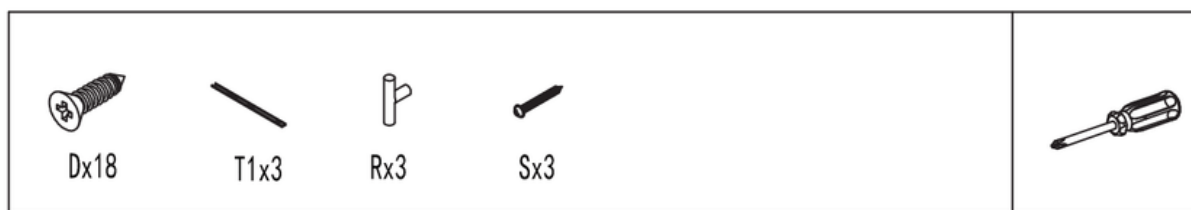


18

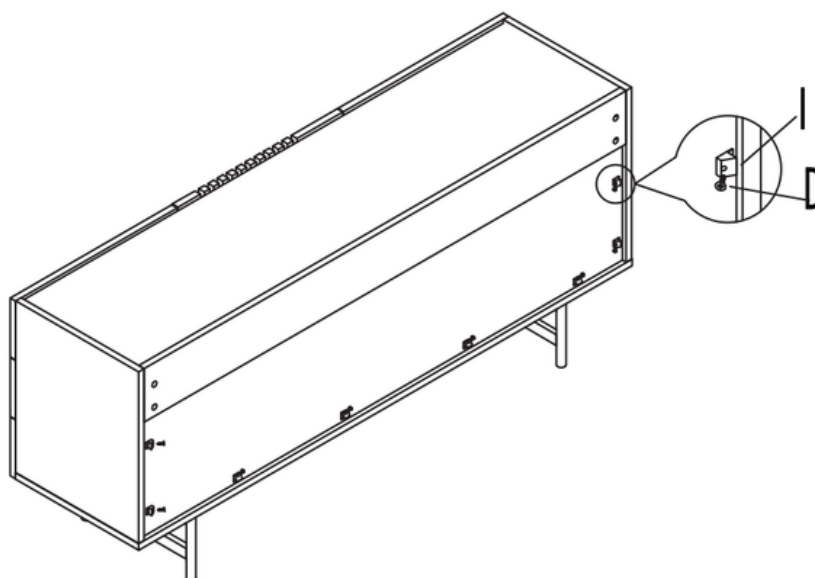

Vx12



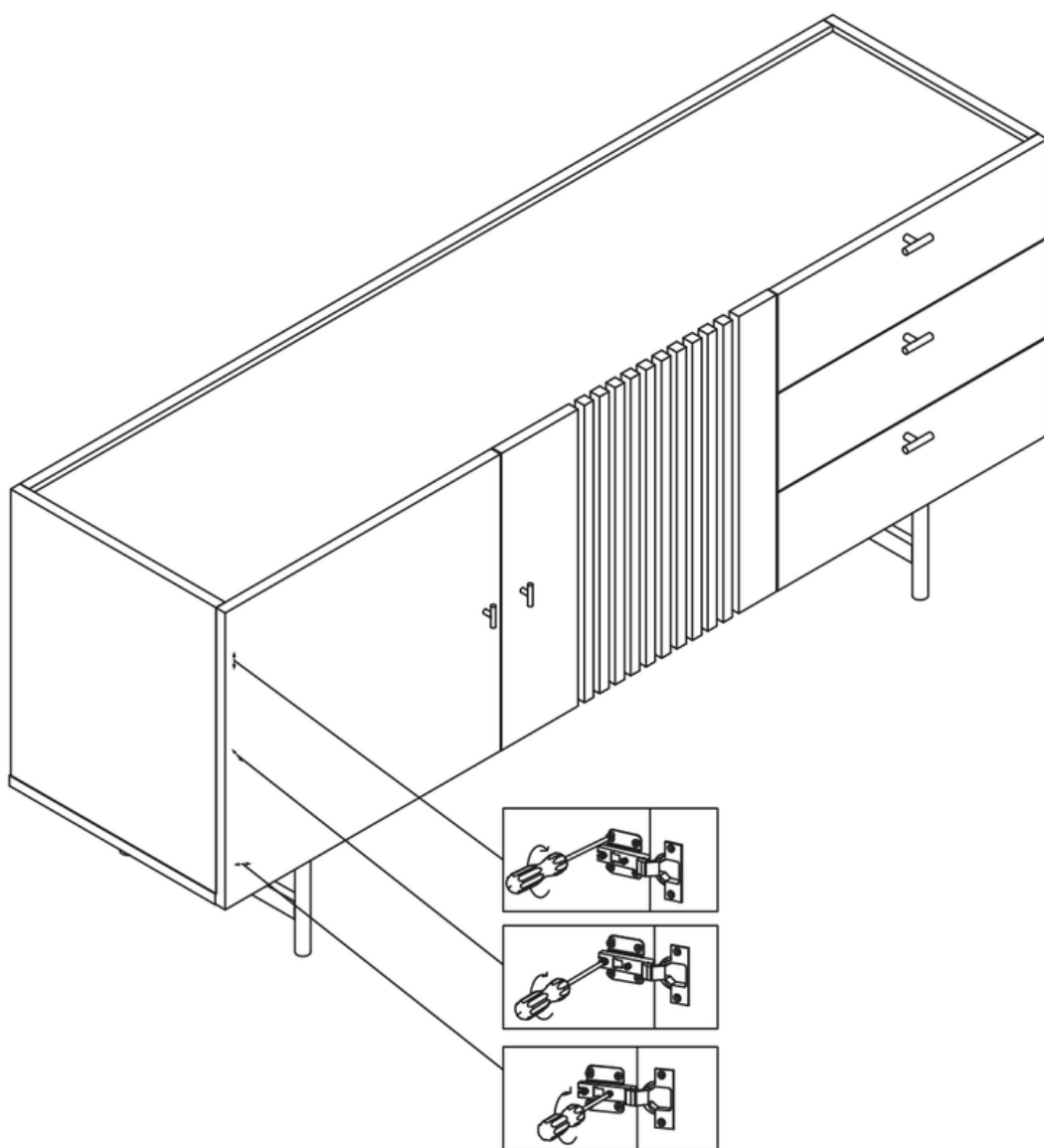
19



20



21



MANUFACTURED BY
VALYOU FURNITURE® HONOLULU, HAWAII

CUSTOMER SERVICE:
SERVICE@VALYOUFURNITURE.COM

FOLLOW US:
@VALYOU FURNITURE

