

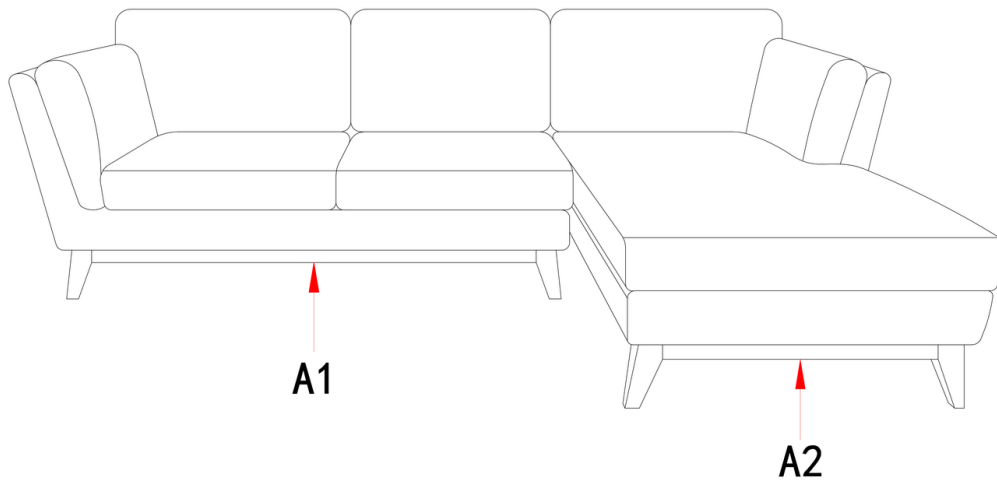
**VALYÖU**









**VALMINIMAL SECTIONAL**

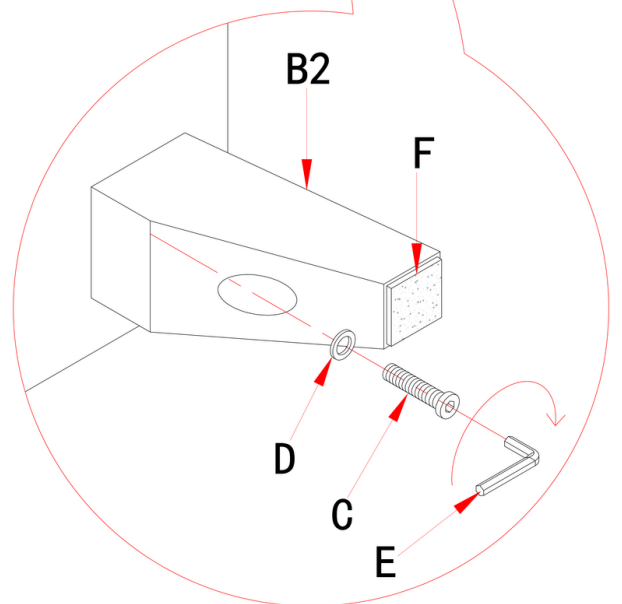
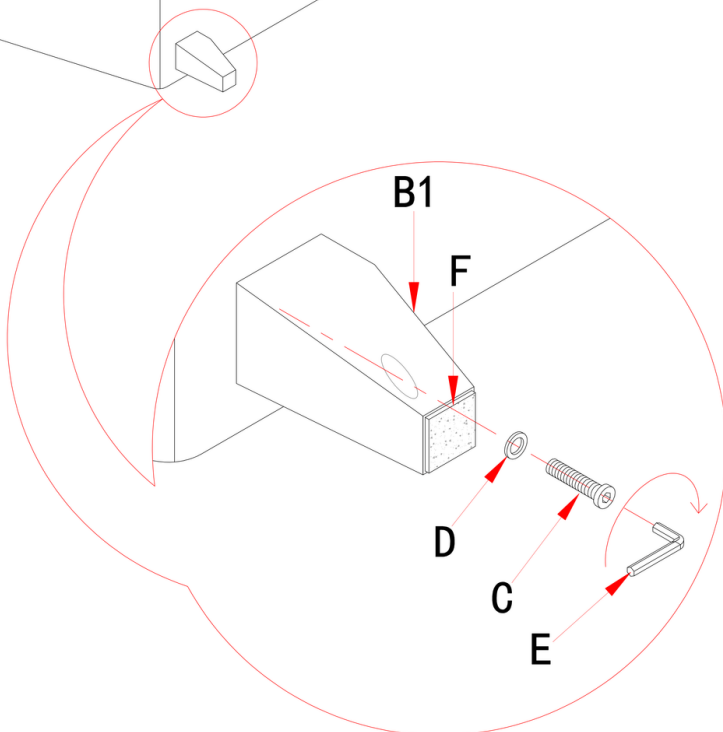
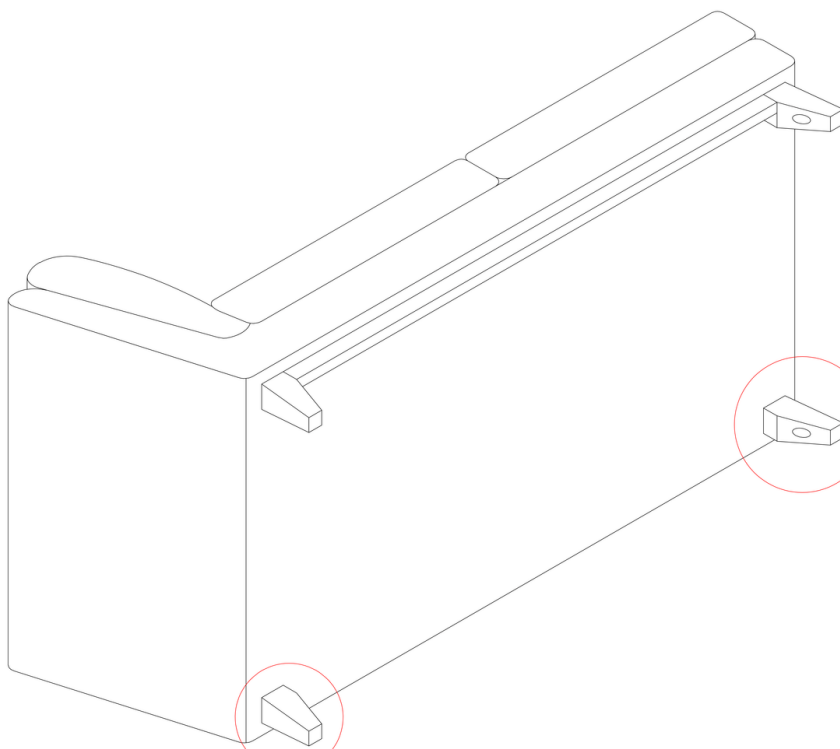
SKD978

HOW TO PUT TOGETHER

# SKD-978 ASSEMBLY INSTRUCTION



|              |  |      |
|--------------|--|------|
| A1           | <br>1520*60*170mm | 1PC  |
| A2           | <br>820*60*170mm  | 1PC  |
| B1<br>Gauche | <br>60*60*170mm   | 2PCS |
| B2<br>Droit  | <br>60*60*170mm   | 2PCS |
| D            | <br>M8*60mm       | 8PCS |
| C            | <br>8*16*1.5T     | 8PCS |
| E            | <br>5*40*100mm    | 2PCS |
| F            | <br>25*25*5mm   | 8PCS |



**MANUFACTURED BY**  
**VALYOU FURNITURE® HONOLULU, HAWAII**

**CUSTOMER SERVICE:**  
**SERVICE@VALYOUFURNITURE.COM**

**FOLLOW US:**  
**@VALYOU FURNITURE**

