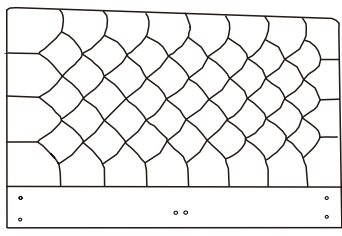
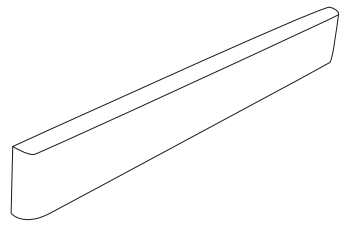
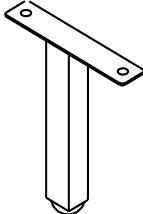

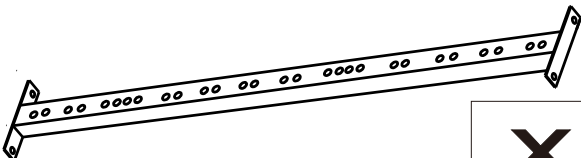
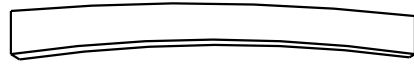
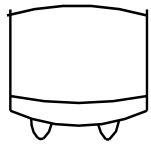
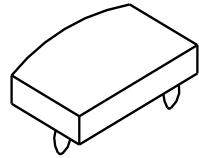
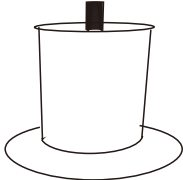
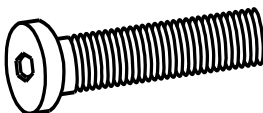
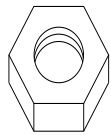
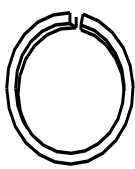
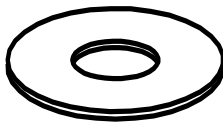
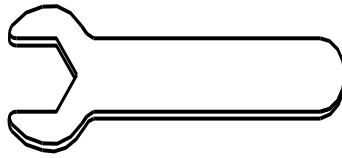



**VALYÖU**

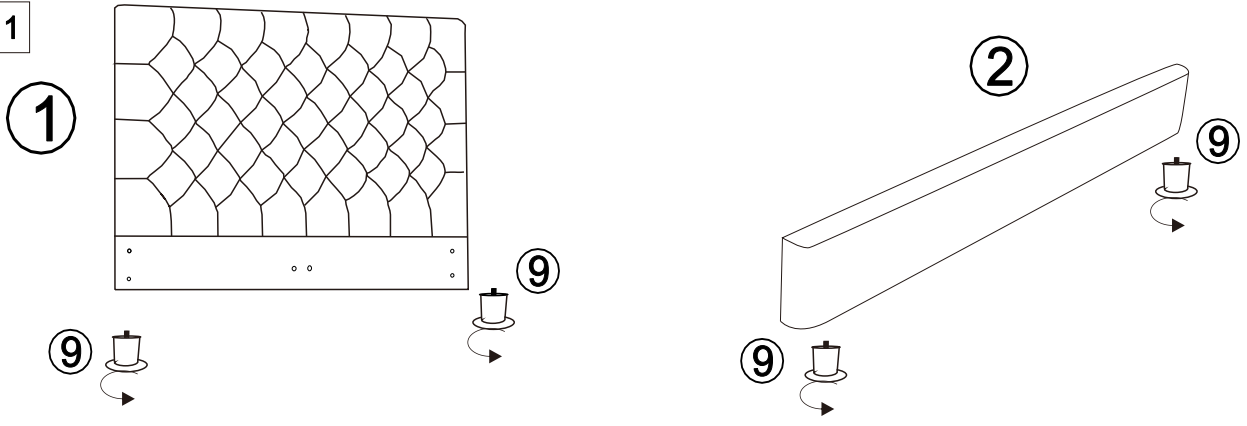
**KINGSLEY**

JY-605

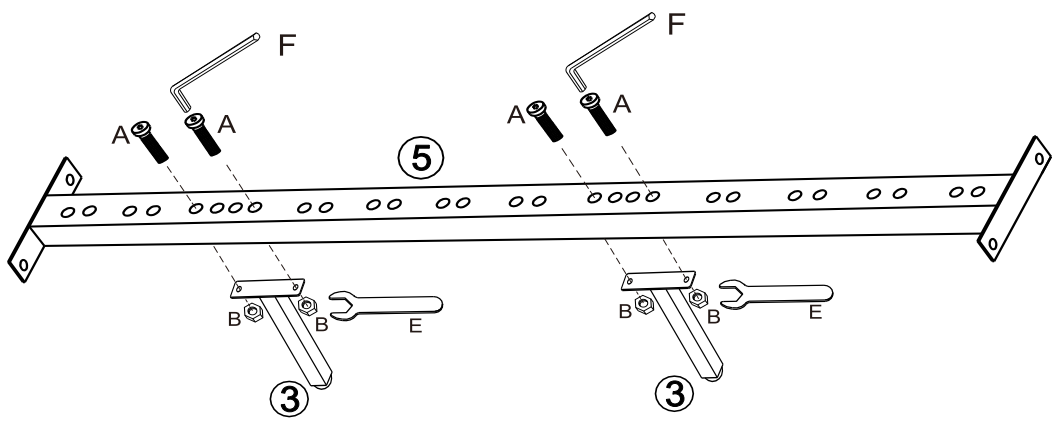
HOW TO PUT TOGETHER

<p>①</p>  <p>x1</p>	<p>②</p>  <p>x1</p>
<p>③</p>  <p>x2</p>	<p>④</p>  <p>x2</p>
<p>⑤</p>  <p>x1</p>	<p>⑥</p>  <p>x24</p>
<p>⑦</p>  <p>x12</p>	<p>⑧</p>  <p>x24</p>
<p>⑨</p>  <p>x4</p>	
<p>(A)</p>  <p>Ø8 x 30</p> <p>x16</p>	<p>(B)</p>  <p>Ø8 x 13</p> <p>x4</p>
<p>(C)</p>  <p>x8</p>	<p>(D)</p>  <p>x8</p>
<p>(E)</p>  <p>x1</p>	<p>(F)</p>  <p>Ø5</p> <p>x1</p>

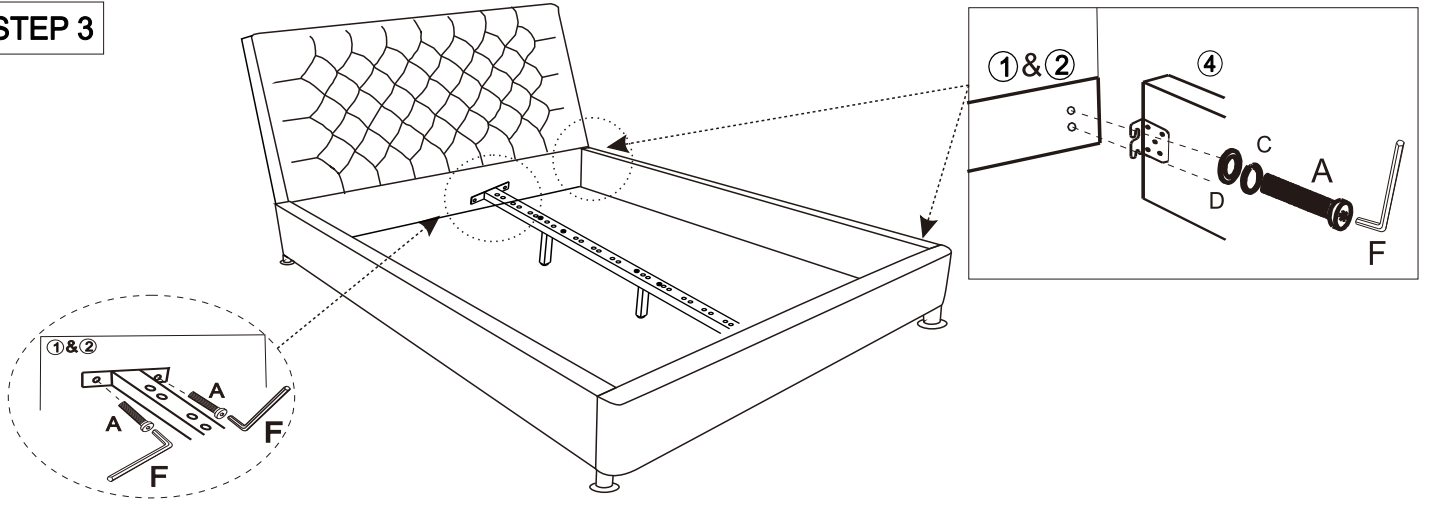
## STEP 1



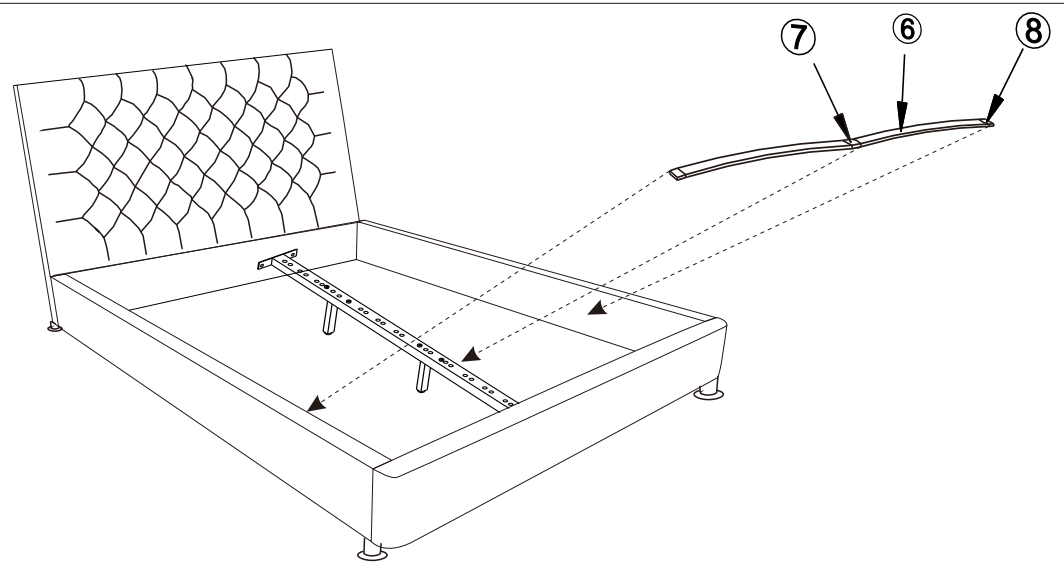
## STEP 2



## STEP 3



## STEP 4



Manufactured by Valyōu®  
Hawaii - Los Angeles - Las Vegas - Bali - Guangzhou - Guadalajara  
service@valyoufurniture.com  
(888) 913-2008  
@valyoufurniture