

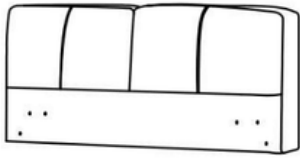
VALYÖU

LOFT BED

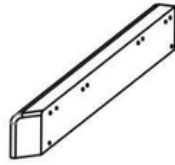
A20-18

HOW TO PUT TOGETHER

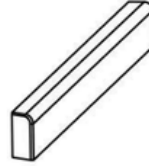
Ⓐ x1



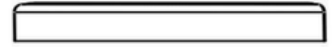
Ⓑ x1



Ⓒ x1



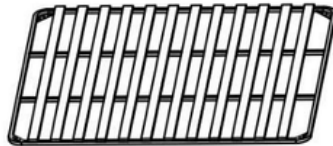
Ⓓ x1



Ⓔ x4



Ⓕ x1



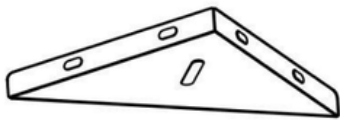
Ⓖ x4



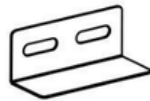
Ⓖ x4



Ⓘ x4



Ⓙ x4



Ⓚ x4



Ⓛ x32



Ⓝ x14



Ⓜ x8



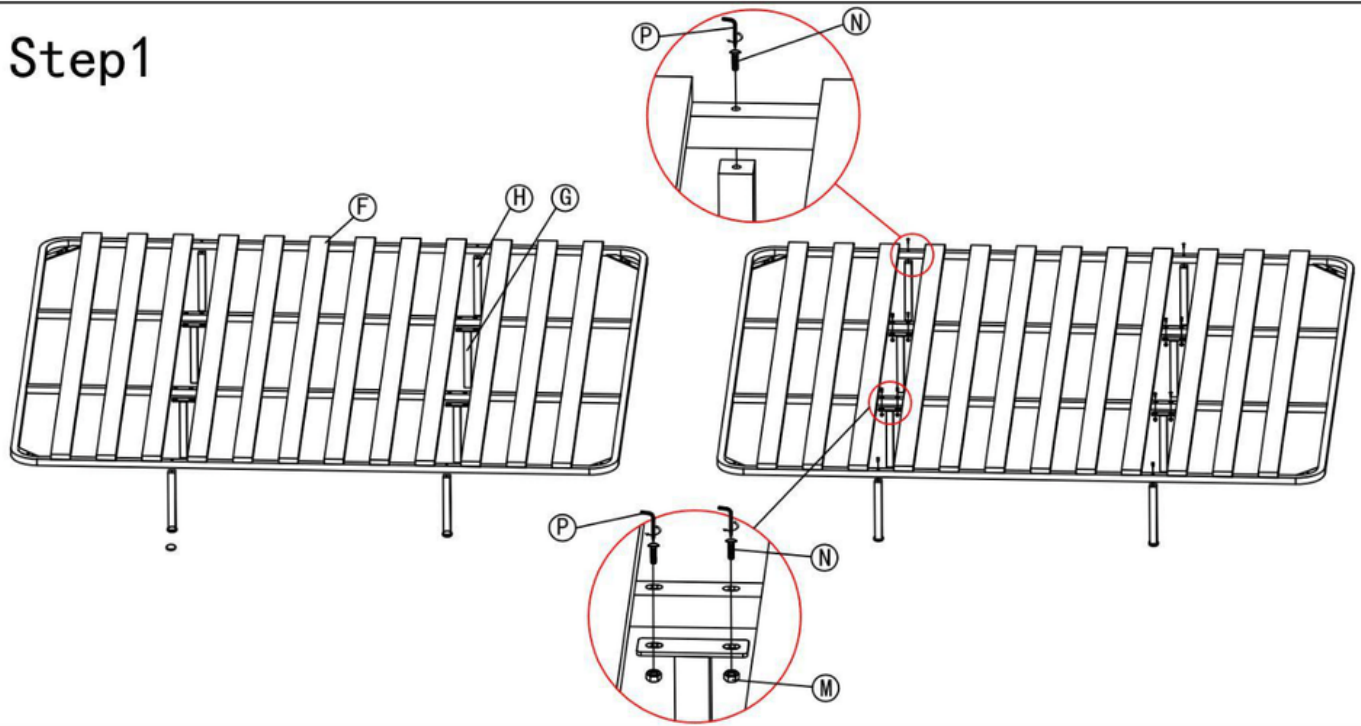
Ⓞ x8



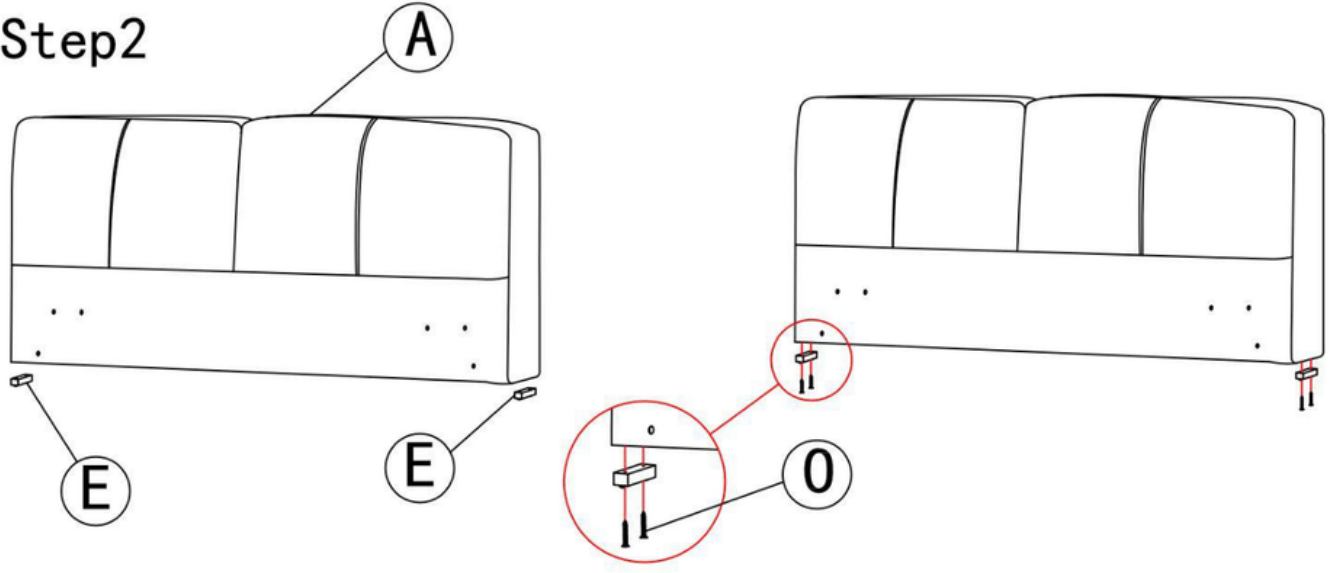
Ⓟ x1



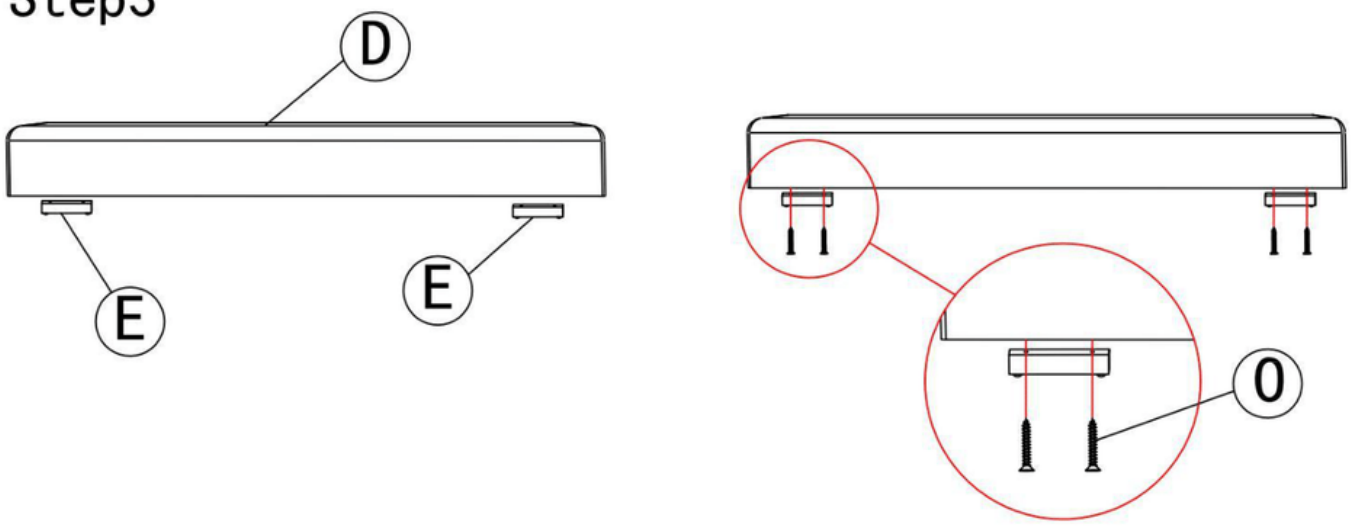
Step1



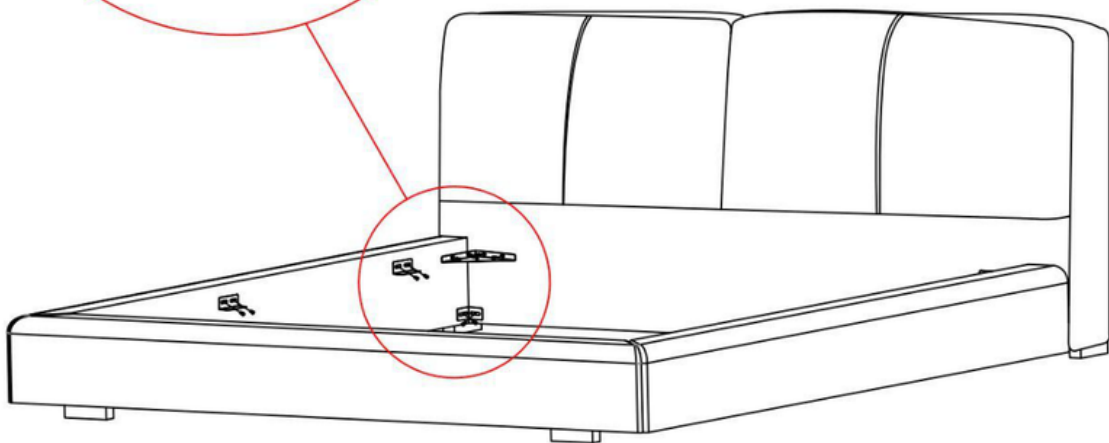
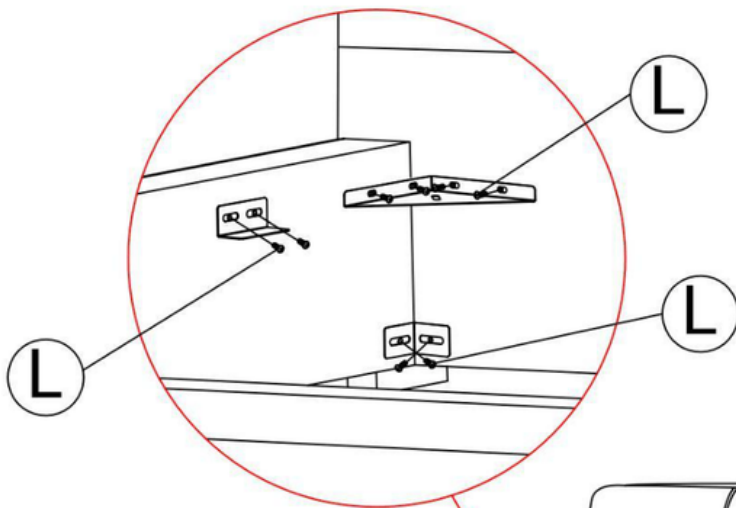
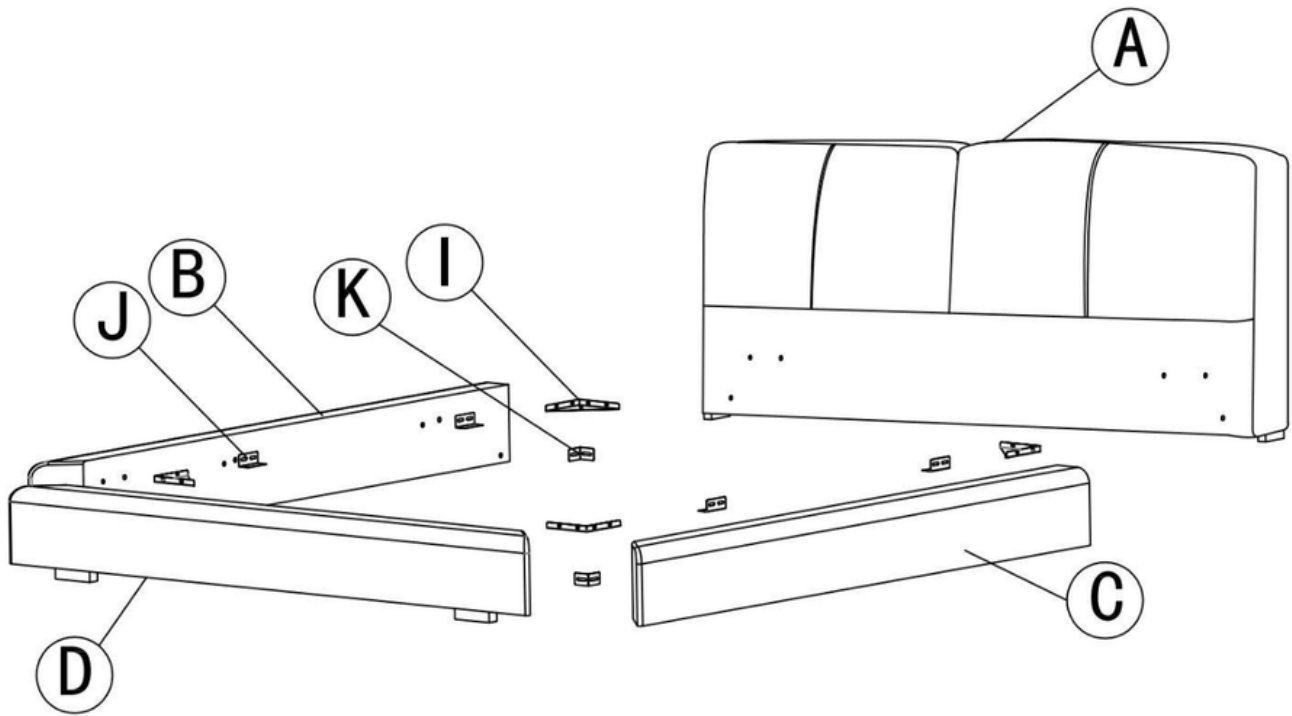
Step2



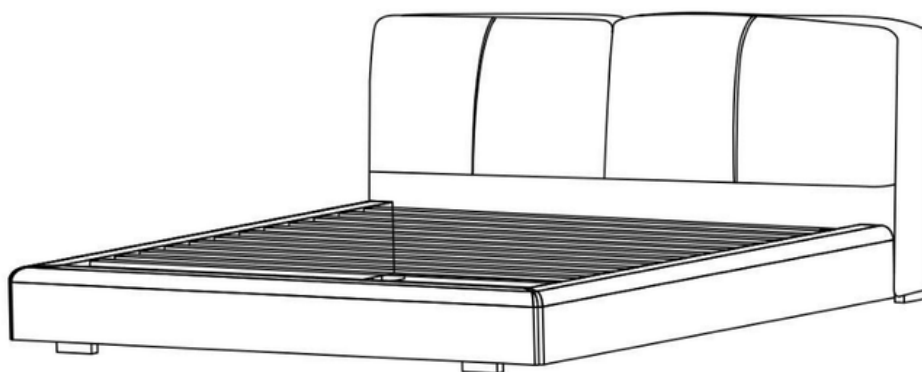
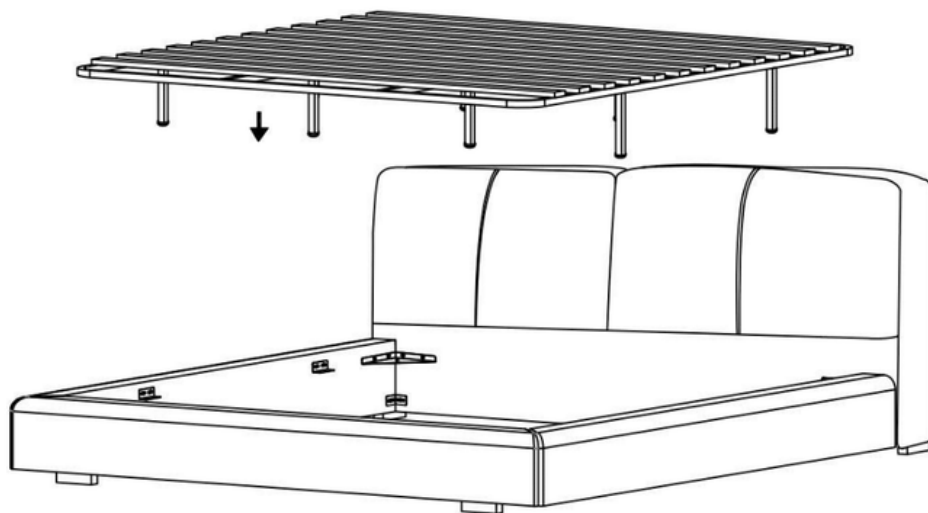
Step3



Step4



Step5



MANUFACTURED BY
VALYOU FURNITURE® HONOLULU, HAWAII

CUSTOMER SERVICE:
SERVICE@VALYOUFURNITURE.COM

FOLLOW US:
@VALYOU FURNITURE

