

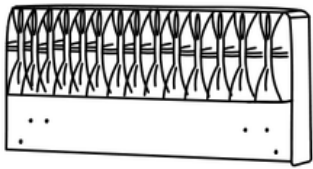
VALYÖU

LAX BED

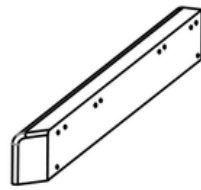
A129#

HOW TO PUT TOGETHER

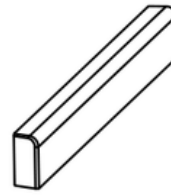
Ⓐ x1



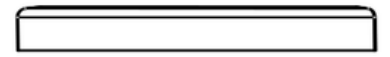
Ⓑ x1



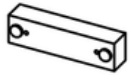
Ⓒ x1



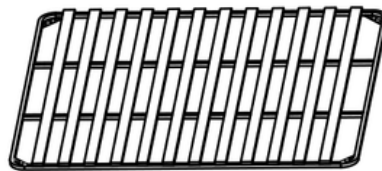
Ⓓ x1



Ⓔ x4



Ⓕ x1



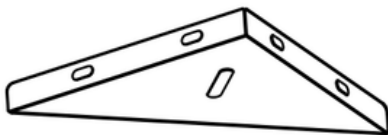
Ⓖ x4



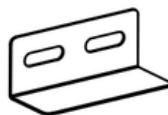
Ⓖ x4



Ⓘ x4



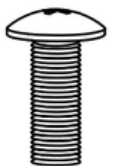
Ⓙ x4



Ⓚ x4



Ⓛ x32



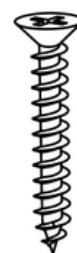
Ⓝ x14



Ⓞ x8



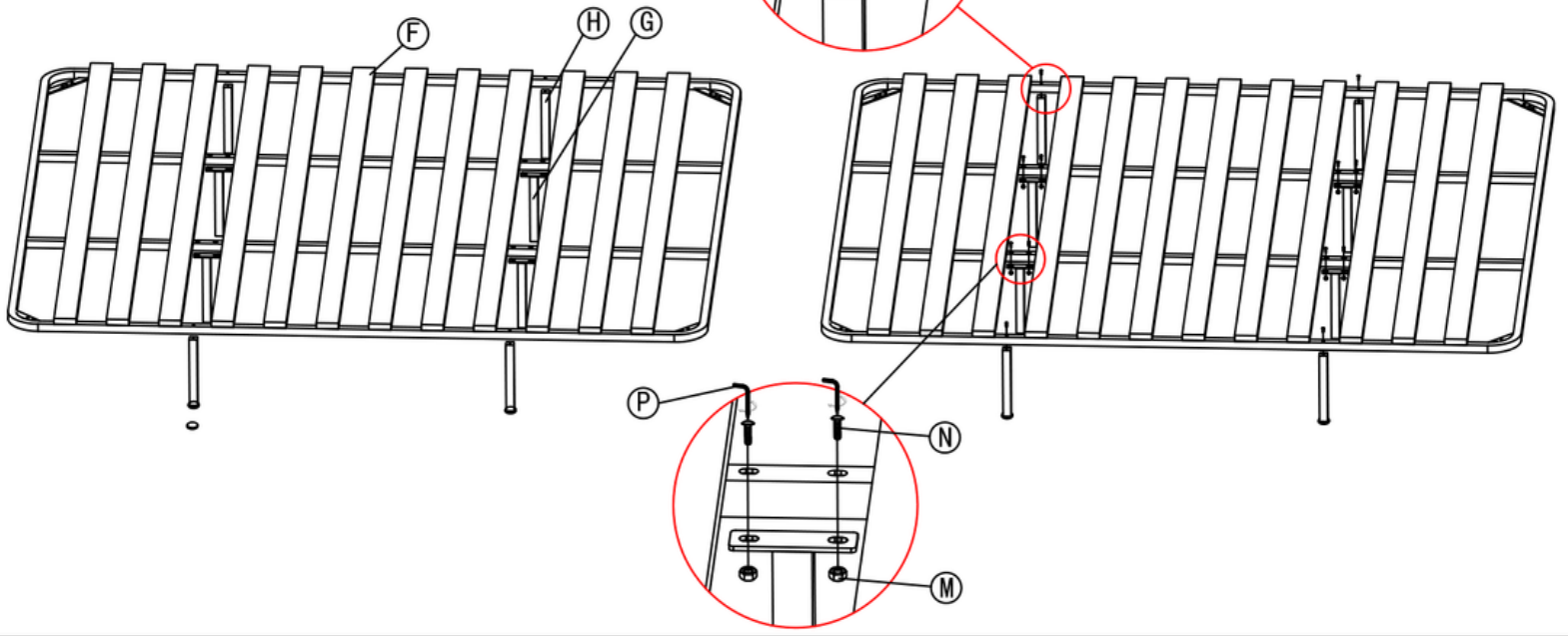
Ⓟ x8



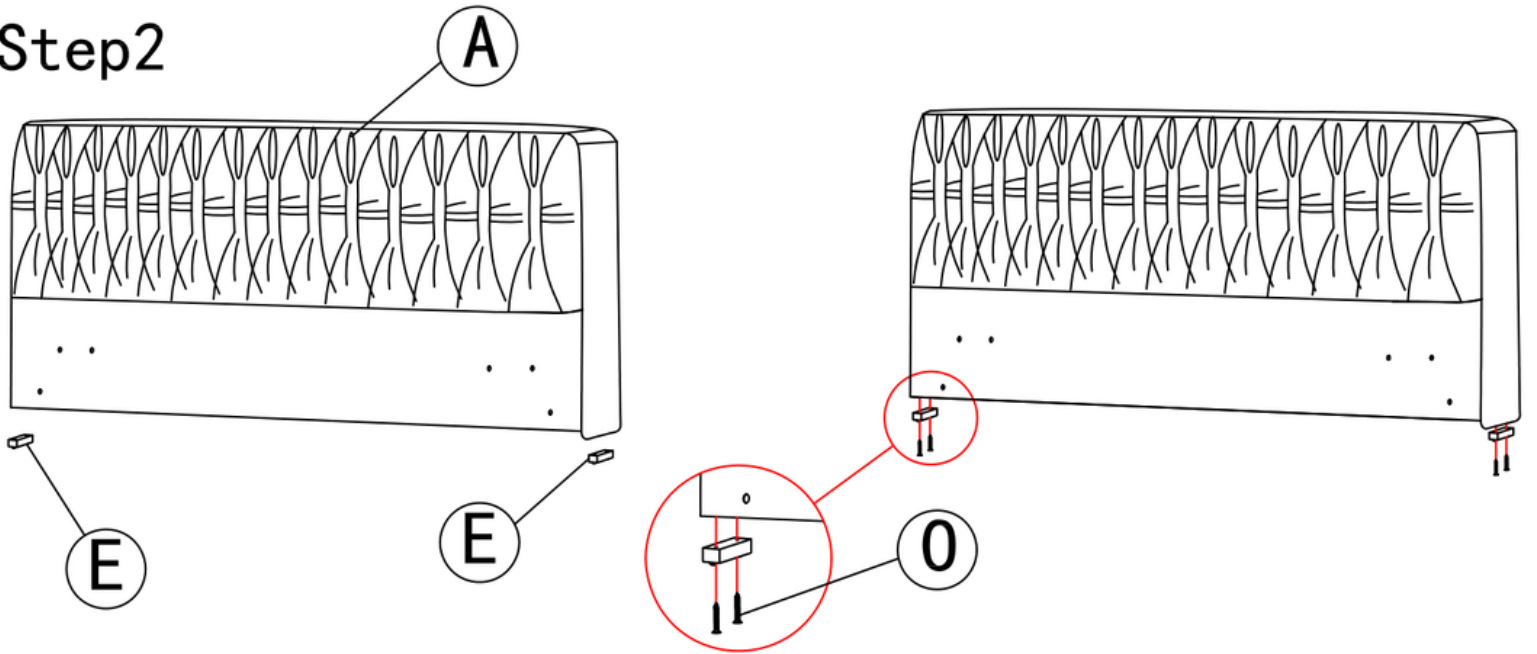
Ⓟ x1



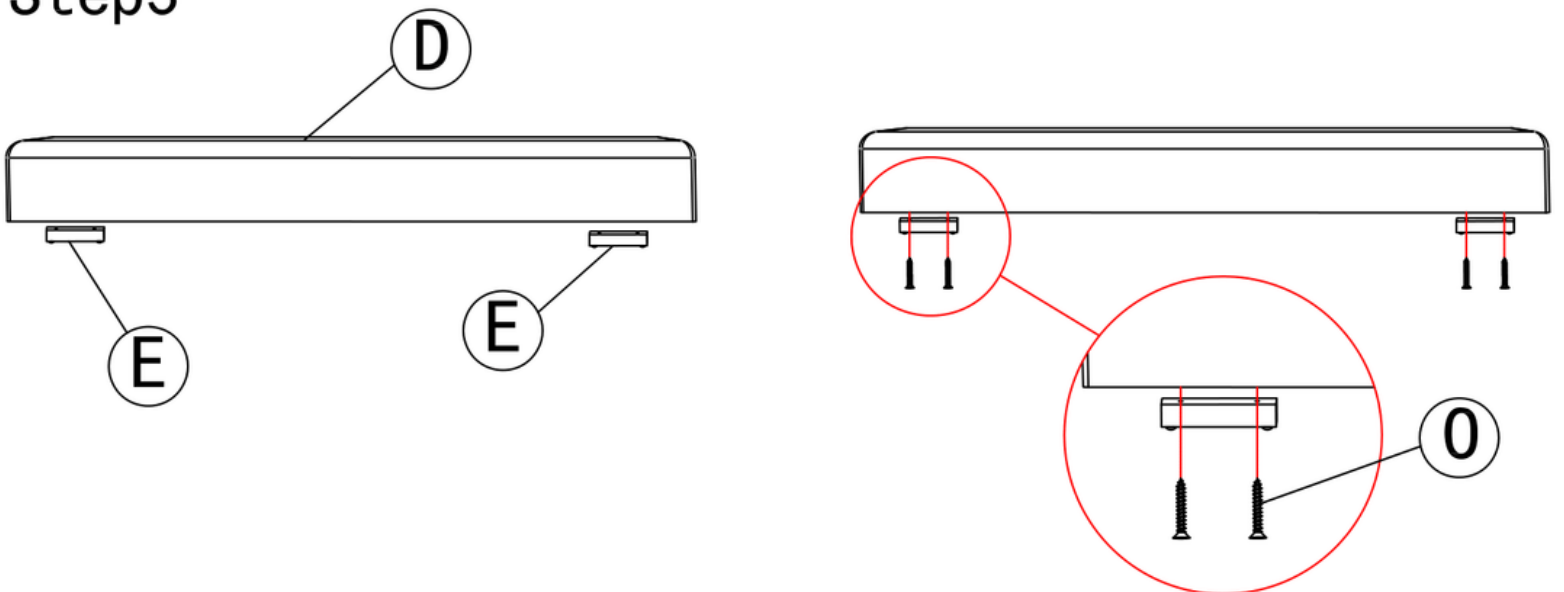
Step1



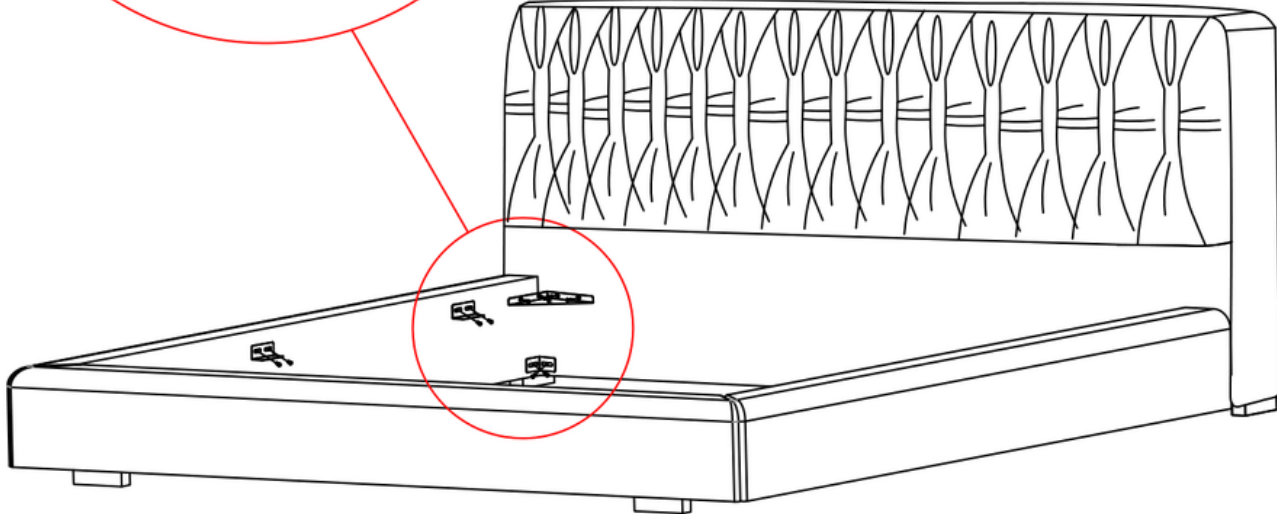
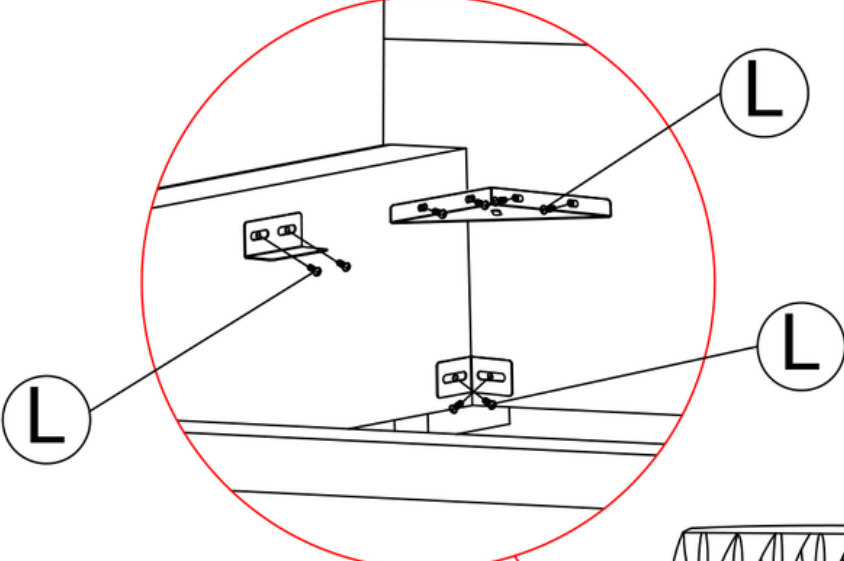
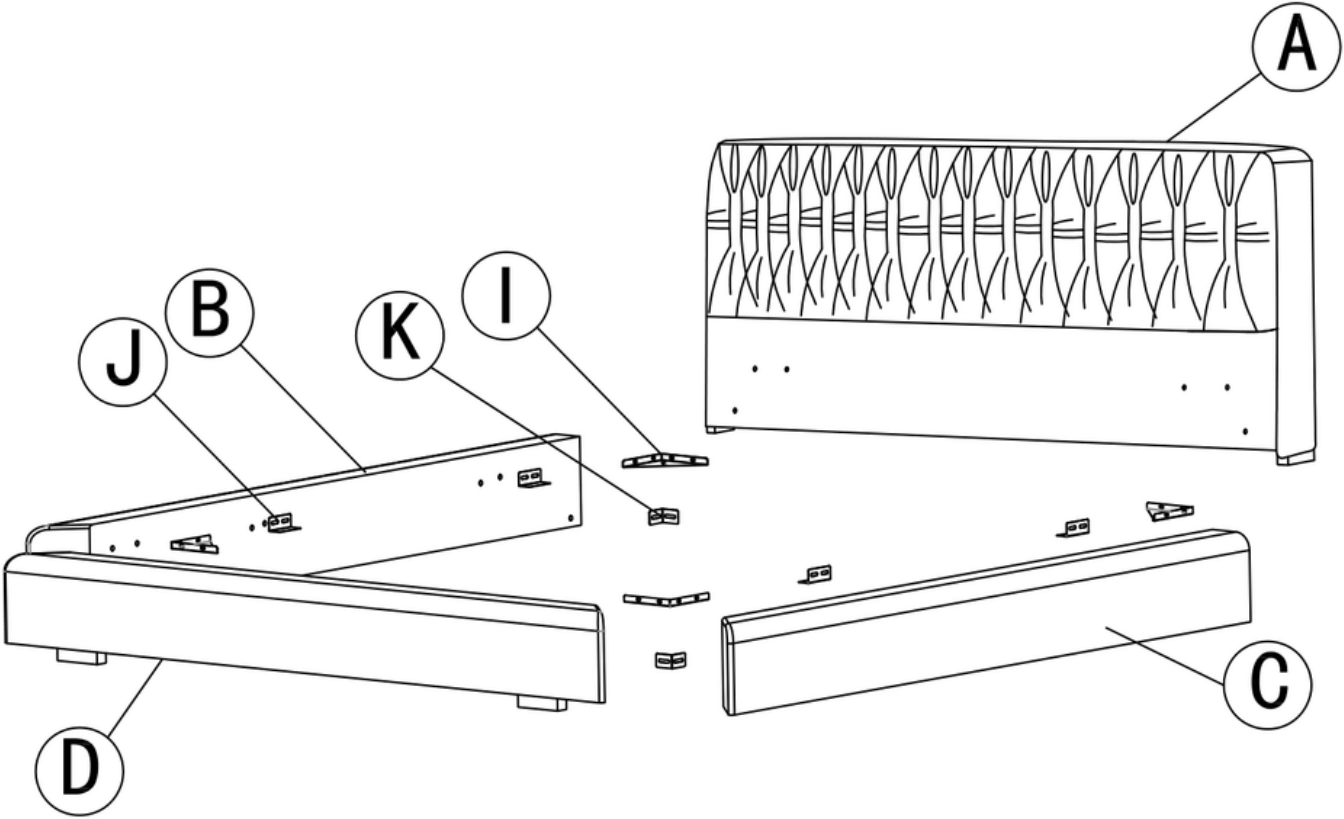
Step2



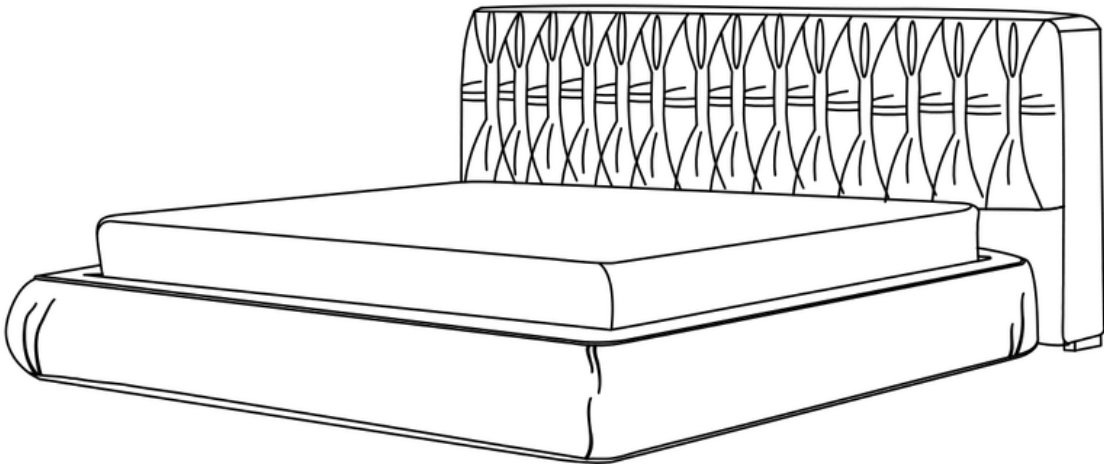
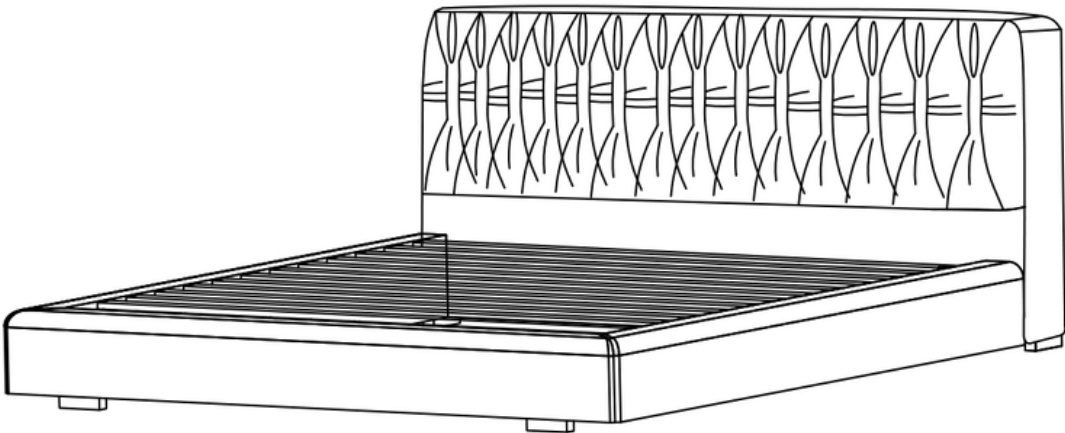
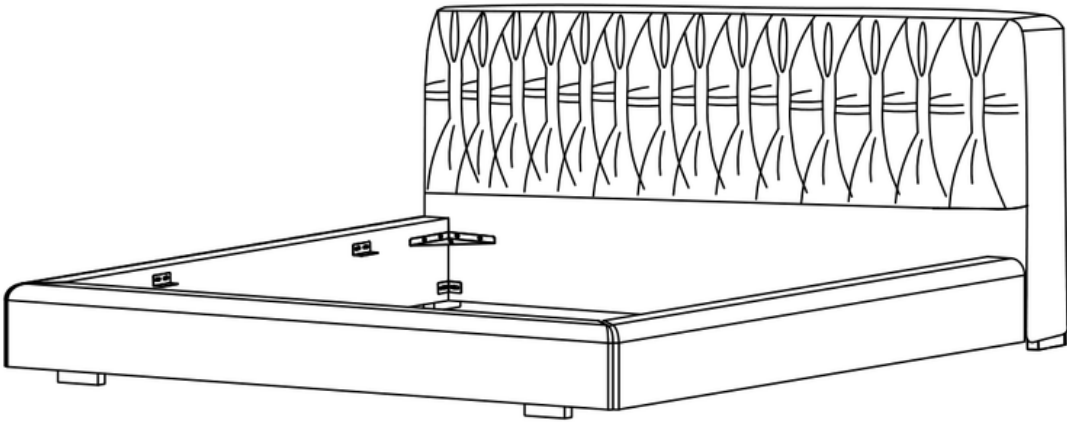
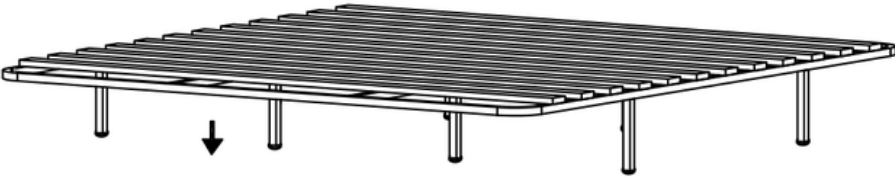
Step3



Step 4



Step 5



MANUFACTURED BY
VALYOU FURNITURE® HONOLULU, HAWAII

CUSTOMER SERVICE:
SERVICE@VALYOUFURNITURE.COM

FOLLOW US:
@VALYOU FURNITURE

