

VALYÖU

Intimo

K166#

HOW TO PUT TOGETHER



Intimo

Assembly Instructions

Congratulations on receiving your new home sofa seating!

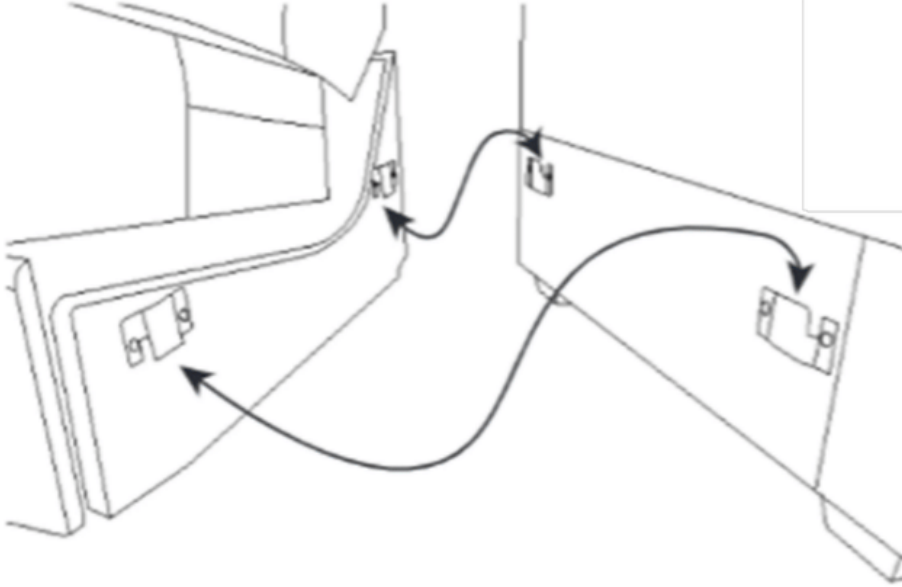
Please unpack and check the contents to ensure that all of the parts are in proper condition. To help protect the environment, please use the appropriate recycling and discarding methods for the packaging.

Please read ALL the assembly instructions before commencing assembly. If you have any questions please contact your installer or Valyou on 888-913-2008 or service@valyoufurniture.com.

VALYOU

1. Connecting Rows of Seats

Slot seats together side by side right to left when facing.



1B. Connecting Rows of Seats

For powered seating, ensure cables are free and accessible and routed free of the mechanism.

Make sure you have the cable extension and power adapter as shown.

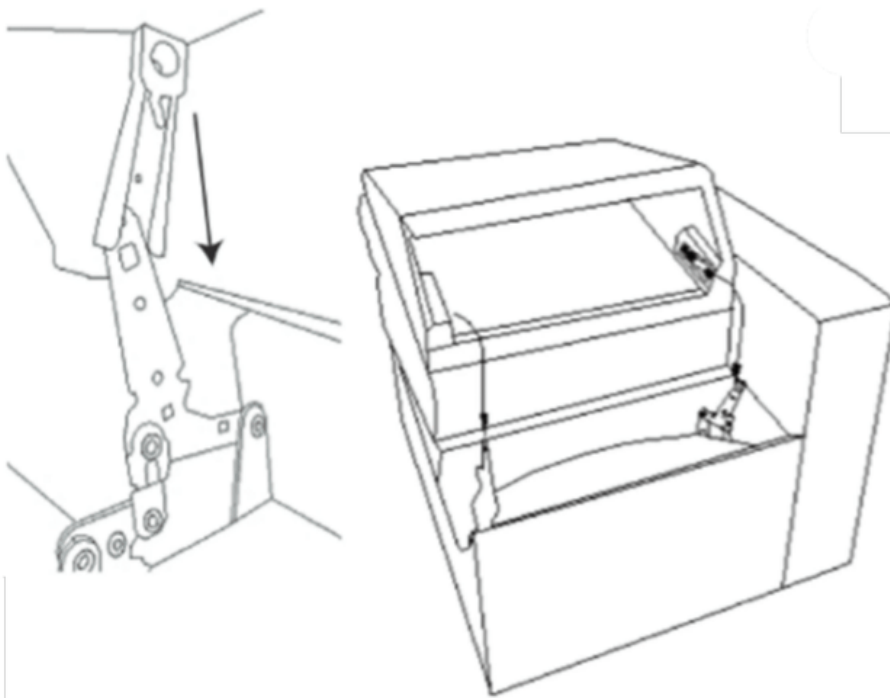
Applies to Intimo Seating.

Do not power up yet.



VALYOU

2. Attaching Seat Backs

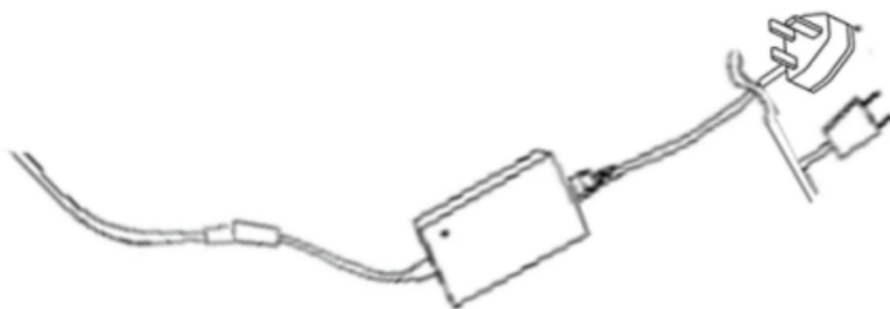


Lay the back rest face down and align the male and female slots.

Lift the backrest to an upright position carefully slotting both section in. Push down until you hear a click which indicated the backs are properly engaged.

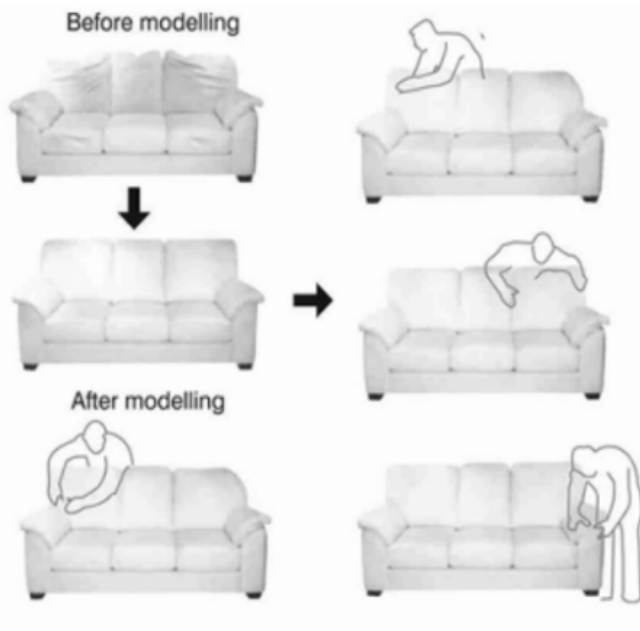
3. Connect Power

You are now ready to enjoy your seating.



www.valyoufurniture.com

4. Packing Marks & Other Advice



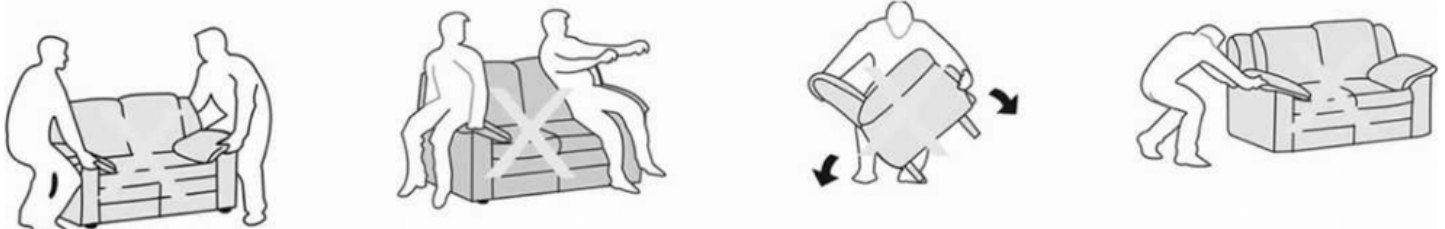
As your goods may have been in protective packaging for some time, there may be slight packaging marks or distress. Please do not be alarmed as this is entirely normal and easily rectified.

Once now unpackaged and in a warm clean environment, the leather/fabric will naturally reconstitute and revert back to its normal state. The foam will also restore to original shape.

We recommend leaving for 1-2 days first however if there are still any issues you can accelerate the restoration process by :

- Massaging the leather/fabric and plumping the cushions.
- Applying some gentle heat to the area whilst massaging with a hairdryer set to low heat.

Do Not:



-Avoid sitting on the arms of your sofa as this may cause distortion.

-Avoid alighting your recliner sofa with any recliner mechanism extended as this may cause twisting to the mechanism and ultimately damage.

-Avoid harsh chemicals to clean your sofa.

-Please use a quality leather cleaning kit with your sofa every 3-4 months to maintain and enjoy your sofa for the long term.