

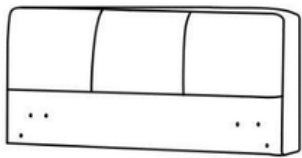
**VALYÖU**

**FANTASY BED**

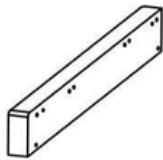
A20-28

HOW TO PUT TOGETHER

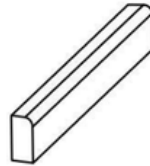
Ⓐ x1



Ⓑ x1



Ⓒ x1



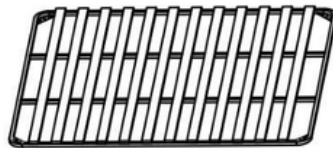
Ⓓ x1



Ⓔ x4



Ⓕ x1



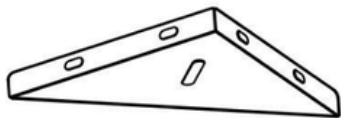
Ⓖ x4



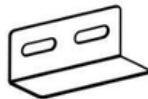
Ⓖ x6



Ⓘ x4



Ⓙ x4



Ⓚ x4



Ⓛ x32



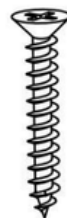
Ⓜ x14



Ⓝ x8



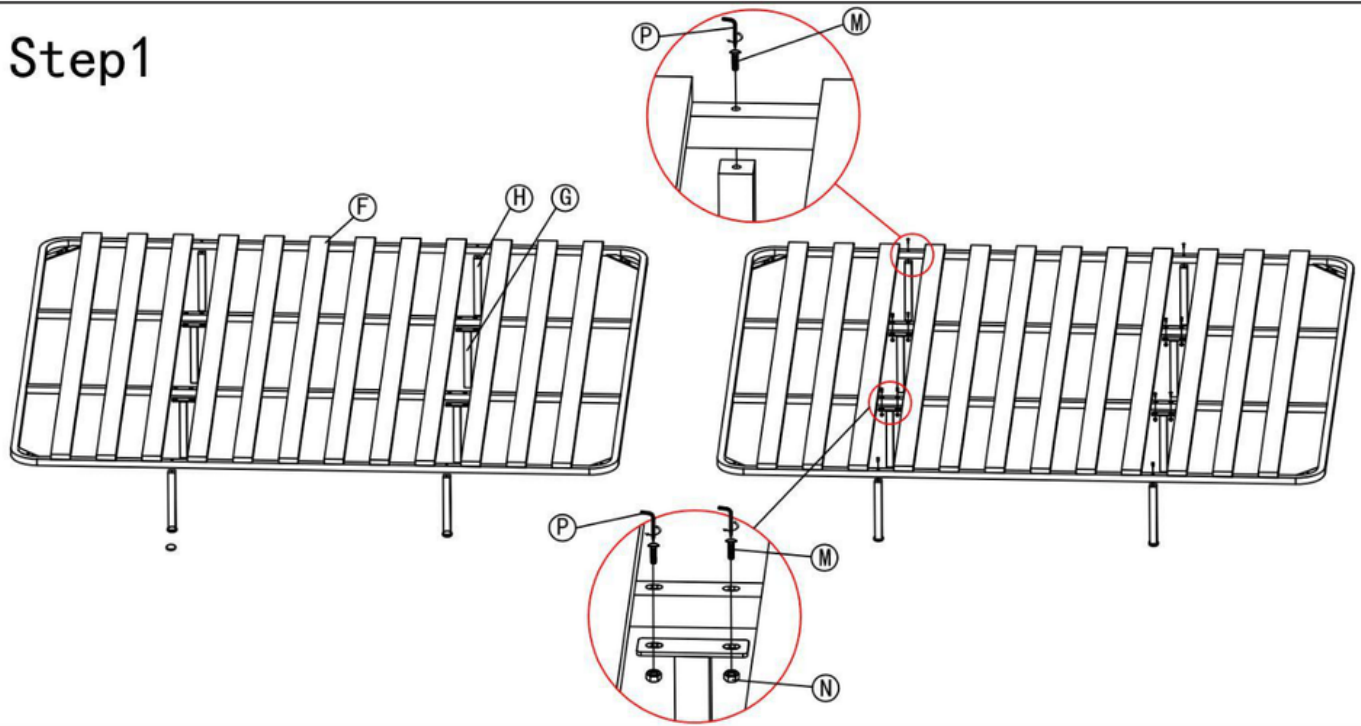
Ⓞ x8



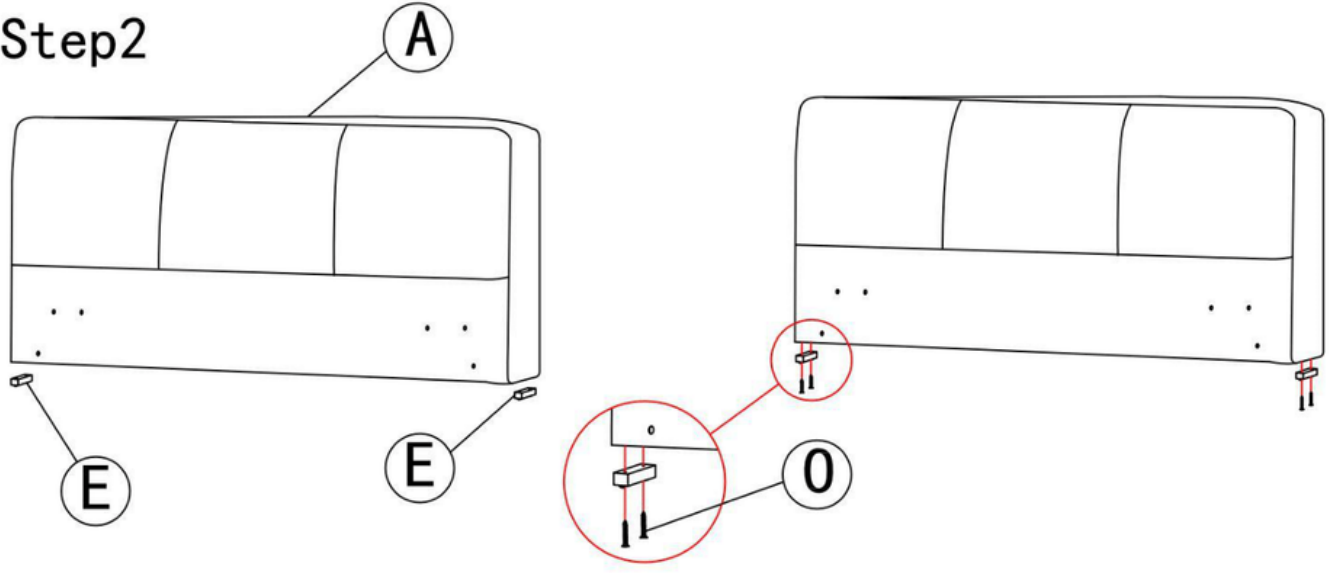
Ⓟ x1



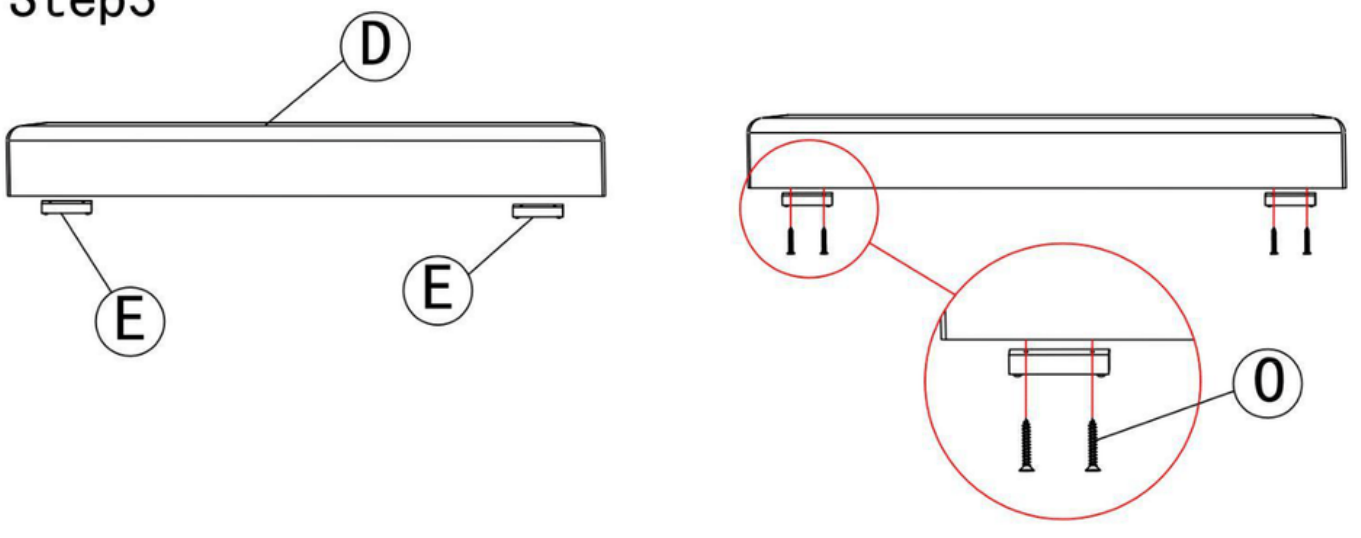
### Step1



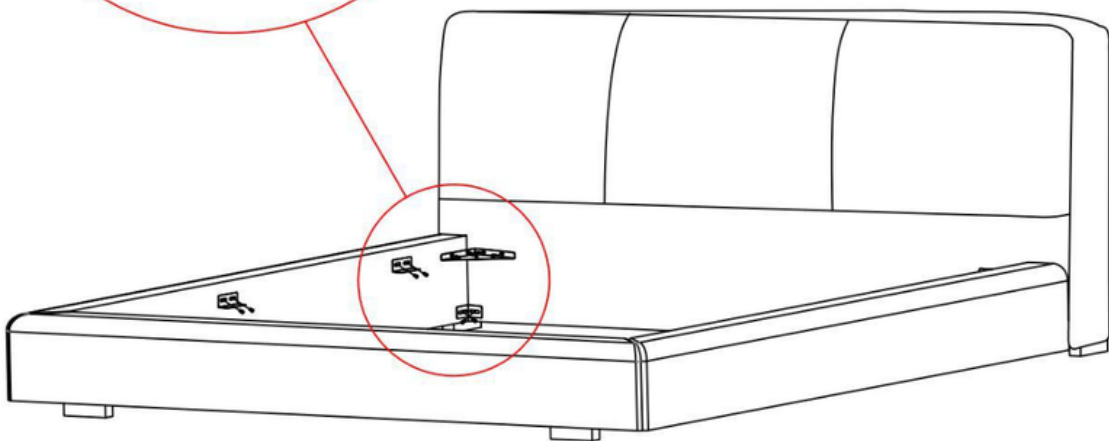
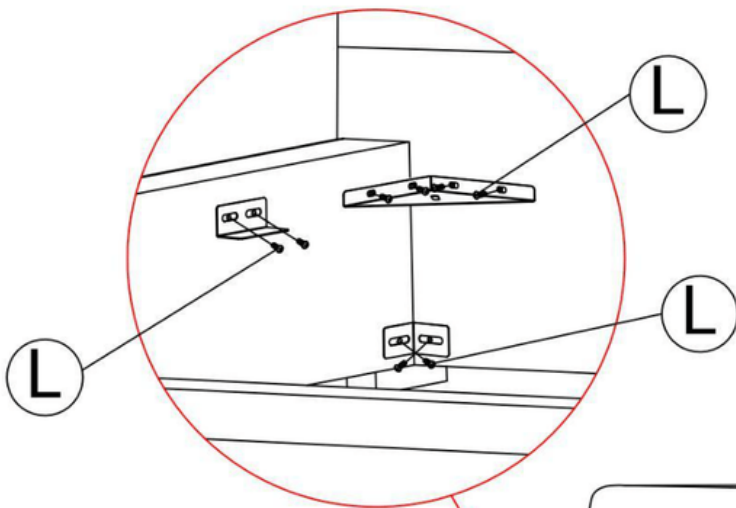
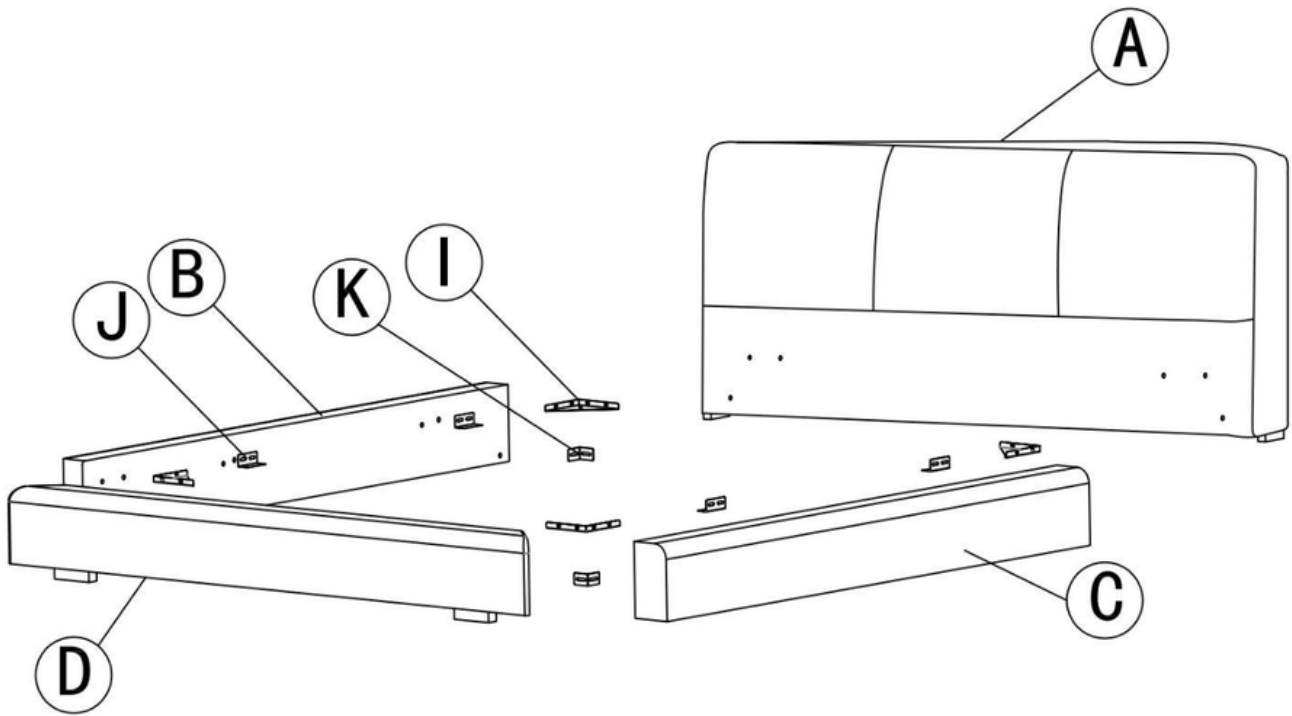
### Step2



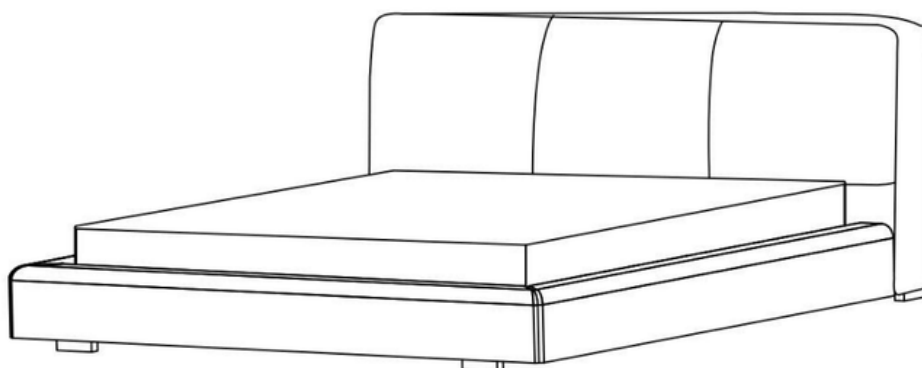
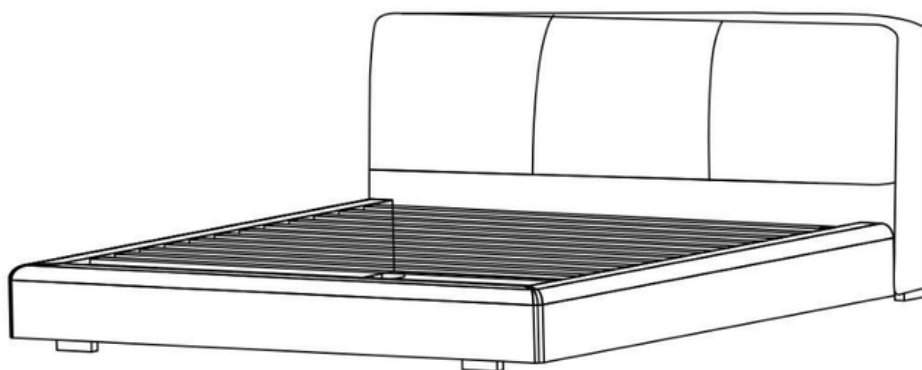
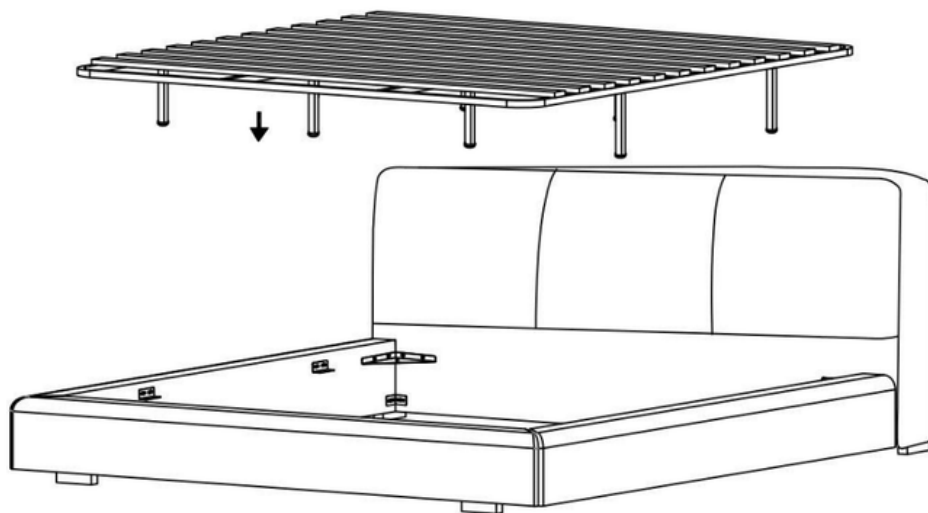
### Step3



# Step4



# Step5



**MANUFACTURED BY**  
VALYOU FURNITURE® HONOLULU, HAWAII

**CUSTOMER SERVICE:**  
SERVICE@VALYOUFURNITURE.COM

**FOLLOW US:**  
@VALYOU FURNITURE

