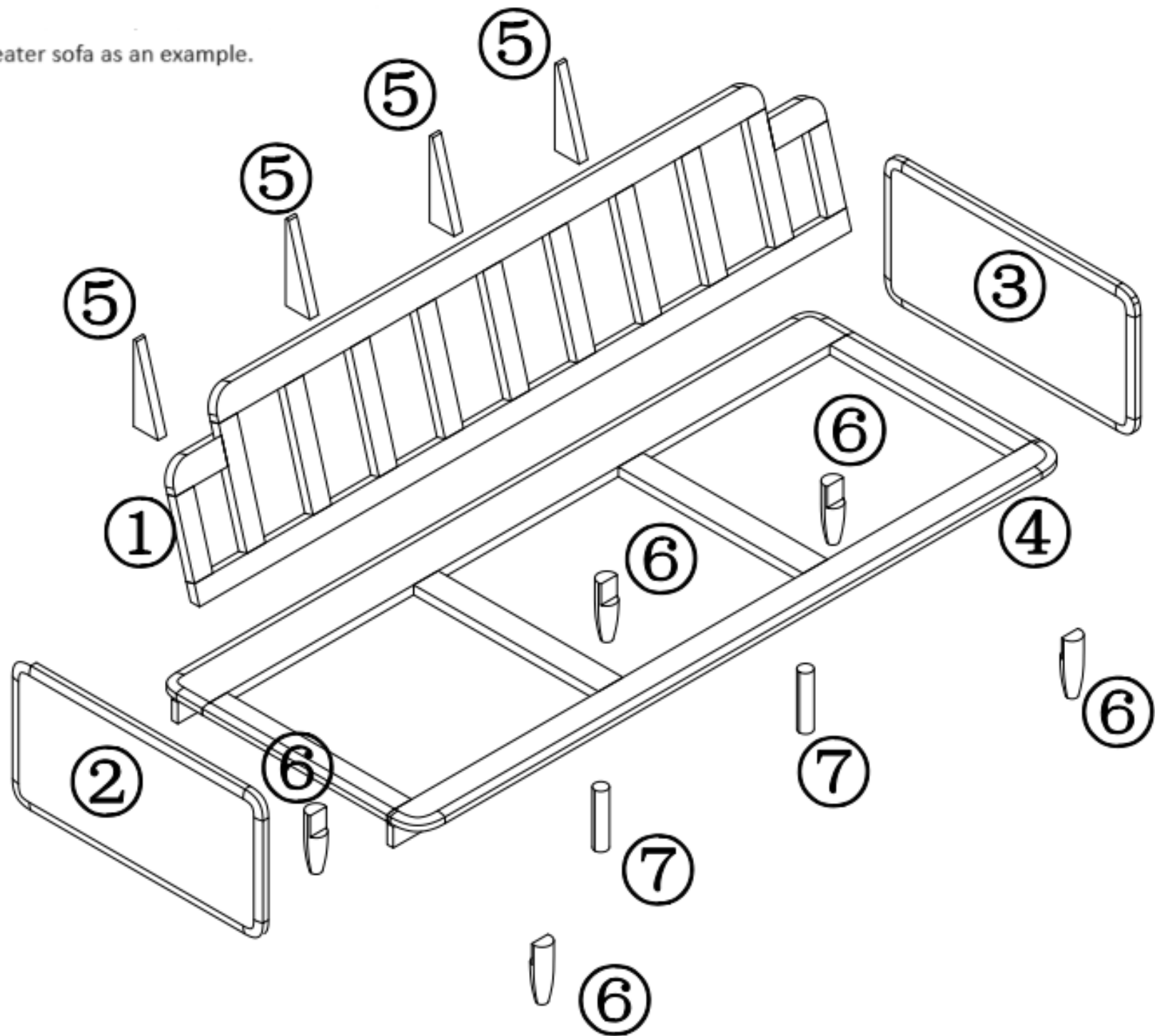


VALYÖU





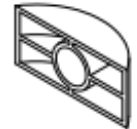
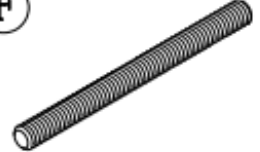





Elwood Sofa

HOW TO PUT TOGETHER





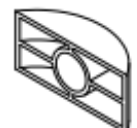
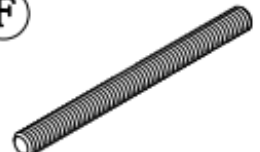





Taking a four-seater sofa as an example.



Three seater sofa hardware details

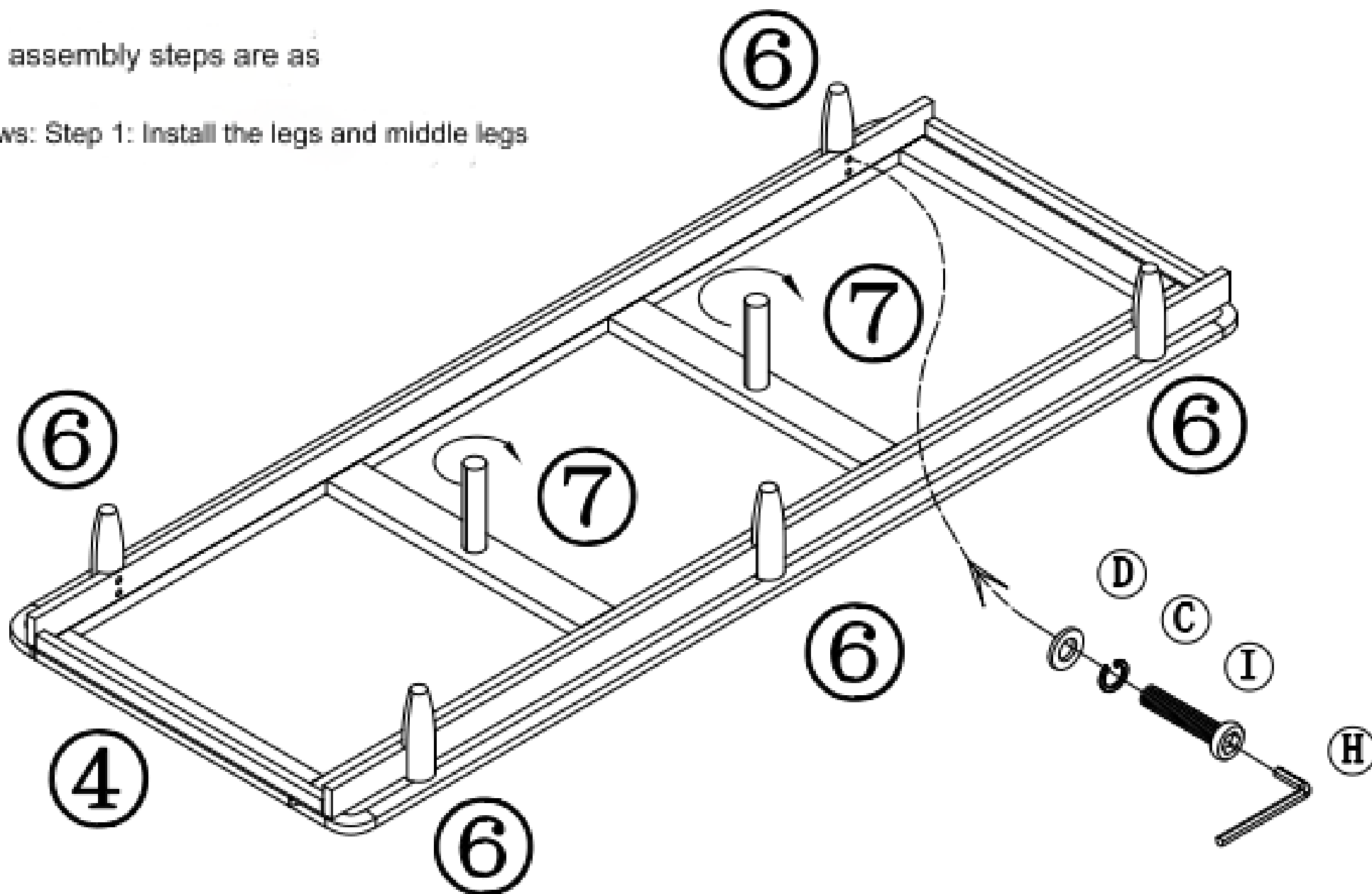
<p>A</p> 	<p>B</p> 	<p>C</p> 	<p>D</p> 	<p>E</p> 	<p>F</p> 
<p>Wrench 14 outside and 8 inside = 1</p>	<p>M8*14 nut = 4</p>	<p>M8 spring pad = 34</p>	<p>M8 spacer = 34</p>	<p>half crescent = 4</p>	<p>Screw M8*75 = 4</p>
<p>G</p> 	<p>H</p> 	<p>I</p> 	<p>J</p> 	<p>K</p> 	
<p>Wood tenon 10*40 = 8</p>	<p>Hexagon socket M5 = 1</p>	<p>Screw M8*30 = 14</p>	<p>Screw M8*40 = 12</p>	<p>Screw M8*55 = 4</p>	

Four seater sofa hardware details

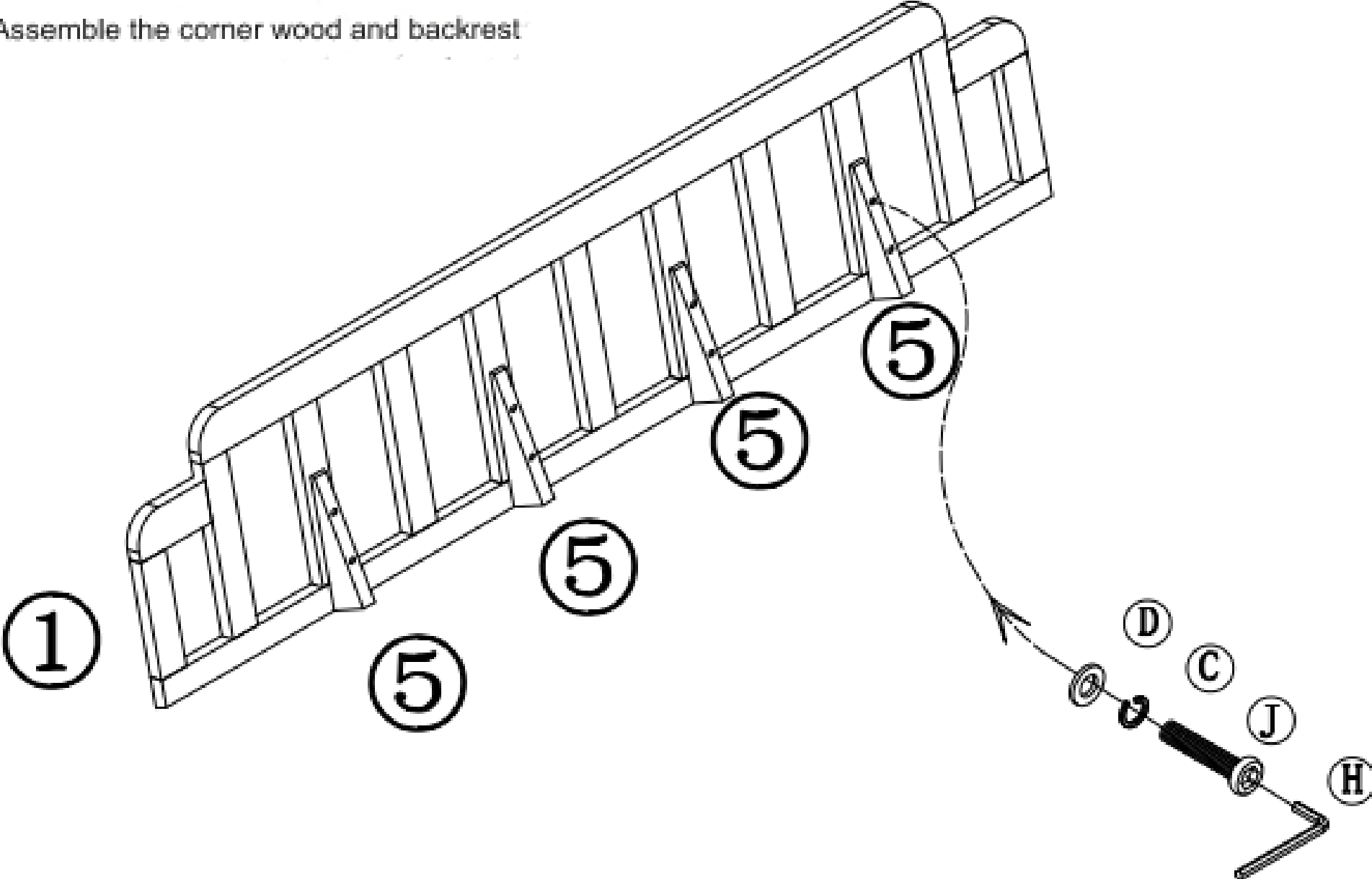
<p>A</p> 	<p>B</p> 	<p>C</p> 	<p>D</p> 	<p>E</p> <p>AND</p> 	<p>F</p> 
<p>Wrench 14 outside and 8 inside = 1</p>	<p>M8*14 nut = 4</p>	<p>M8 spring pad = 38</p>	<p>M8 spacer = 38</p>	<p>half crescent = 4</p>	<p>Screw M8*75 = 4</p>
<p>G</p> 	<p>H</p> 	<p>I</p> 	<p>J</p> 	<p>K</p> 	
<p>Wood tenon 10*40 = 8</p>	<p>Hexagon socket M5 = 1</p>	<p>Screw M8*30 = 14</p>	<p>Screw M8*40 = 16</p>	<p>Screw M8*55 = 4</p>	

The assembly steps are as

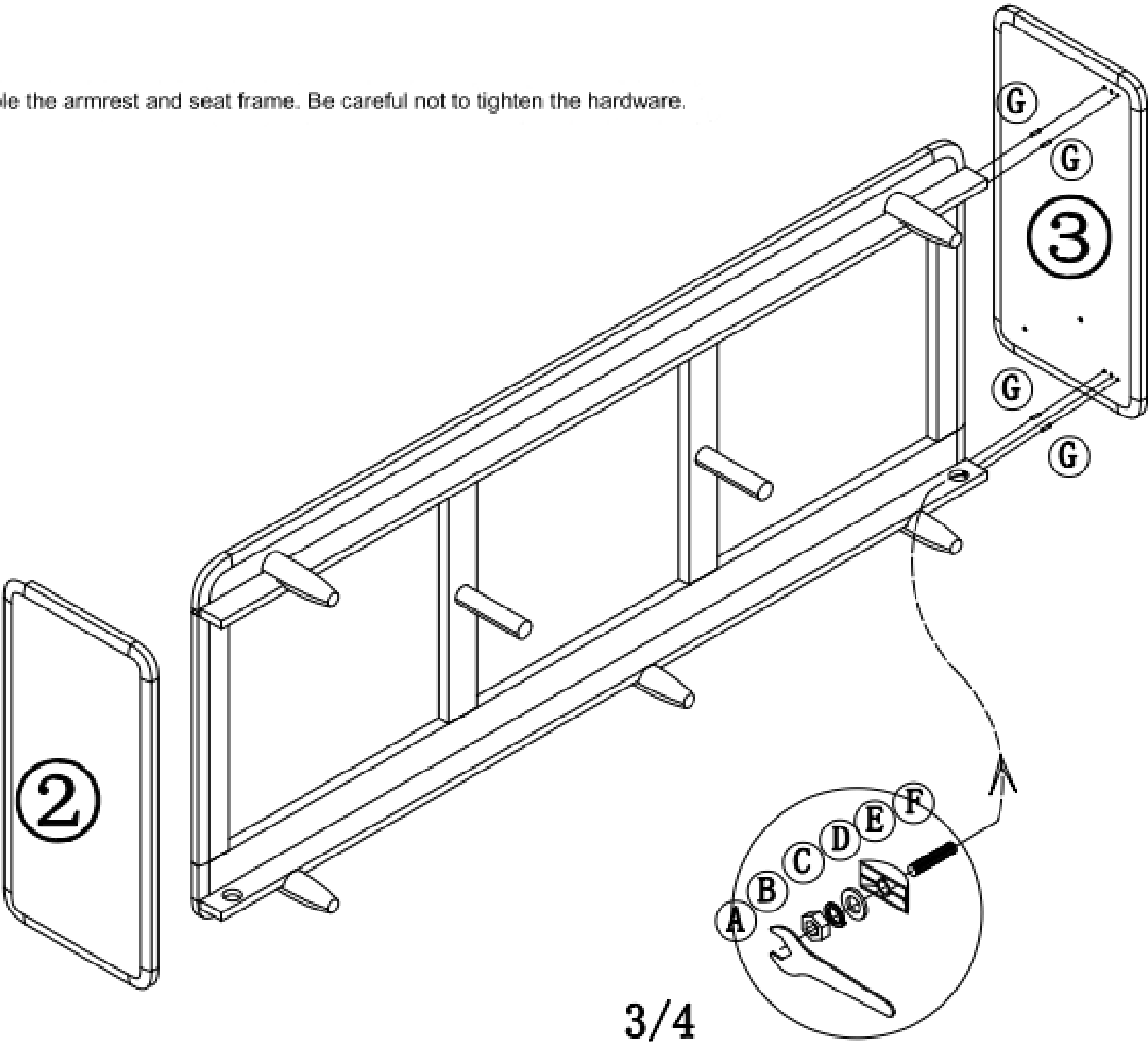
follows: Step 1: Install the legs and middle legs

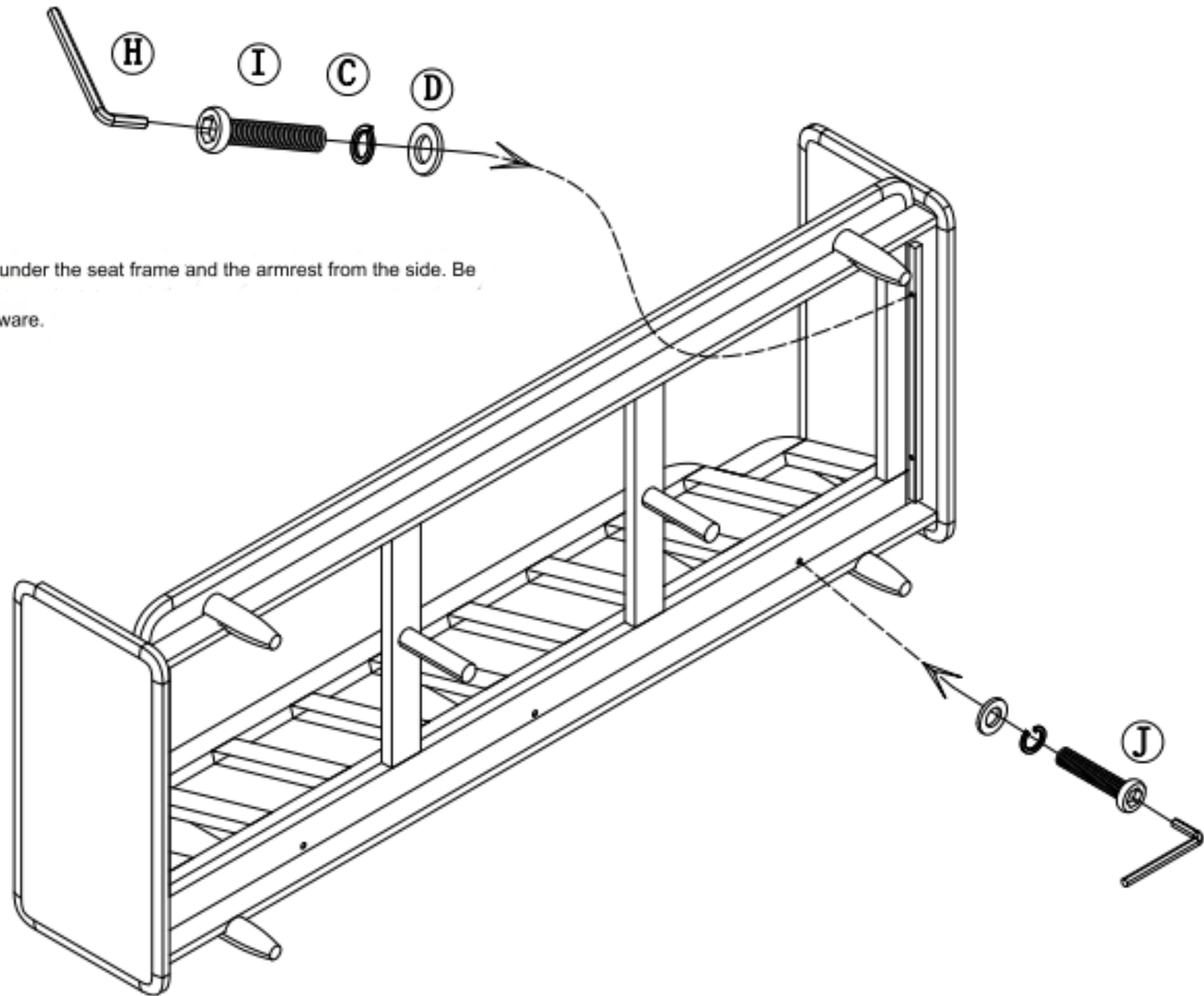


Step 2: Assemble the corner wood and backrest

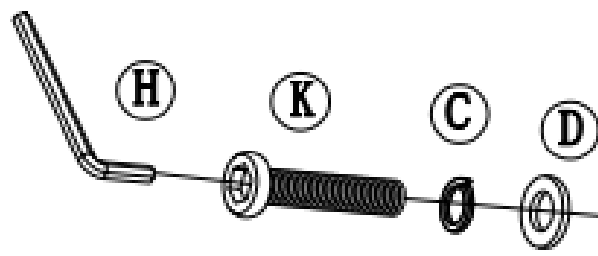


Step 3: Assemble the armrest and seat frame. Be careful not to tighten the hardware.

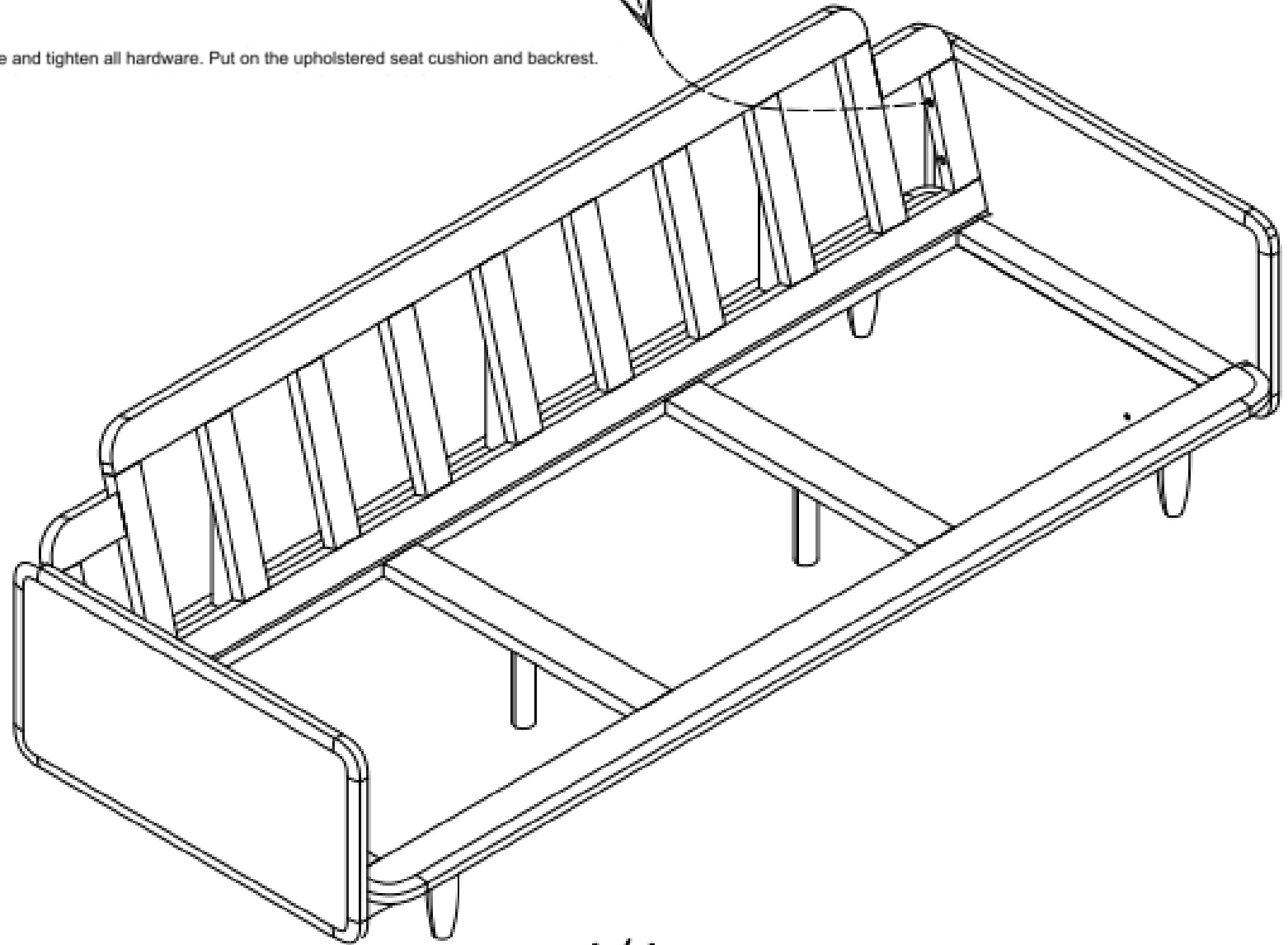




Step 4: Install the backrest corner wood from under the seat frame and the armrest from the side. Be careful not to tighten the hardware.



Step 5. Connect the armrests from the backrest side and tighten all hardware. Put on the upholstered seat cushion and backrest.



MANUFACTURED BY
VALYOU FURNITURE® HONOLULU, HAWAII

CUSTOMER SERVICE:
SERVICIE@VALYOUFURNITURE.COM

FOLLOW US:
@VALYOU FURNITURE

