

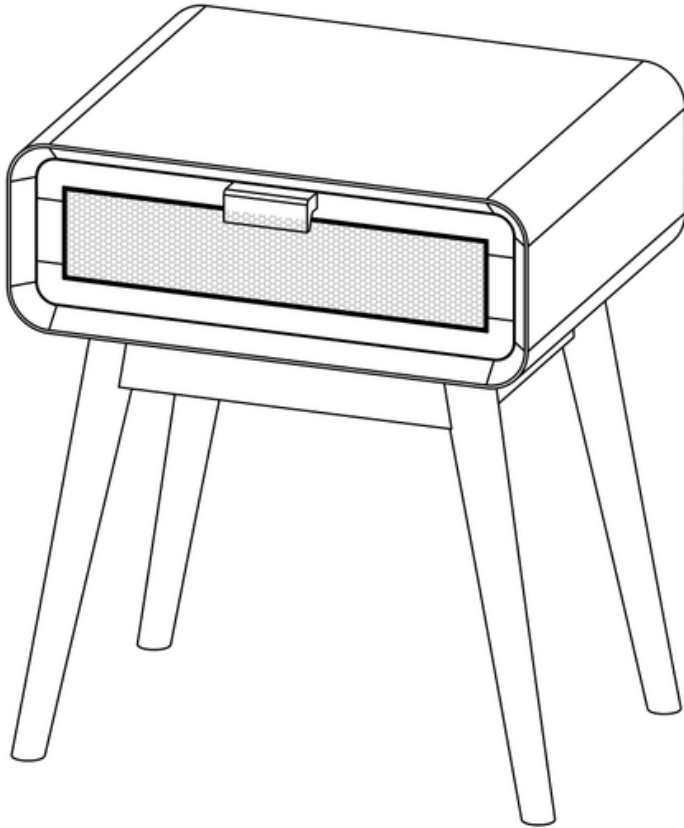
VALYÖU

Earthen Nightstand

HOW TO PUT TOGETHER

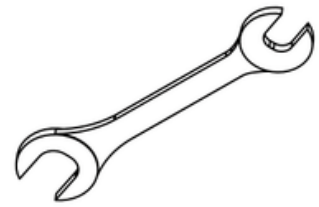
VALYOU

ASSEMBLY INSTRUCTION EARTHEN NIGHT STAND



B

8x

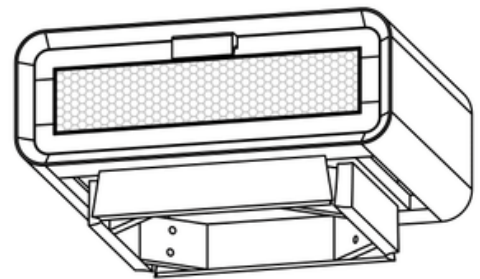
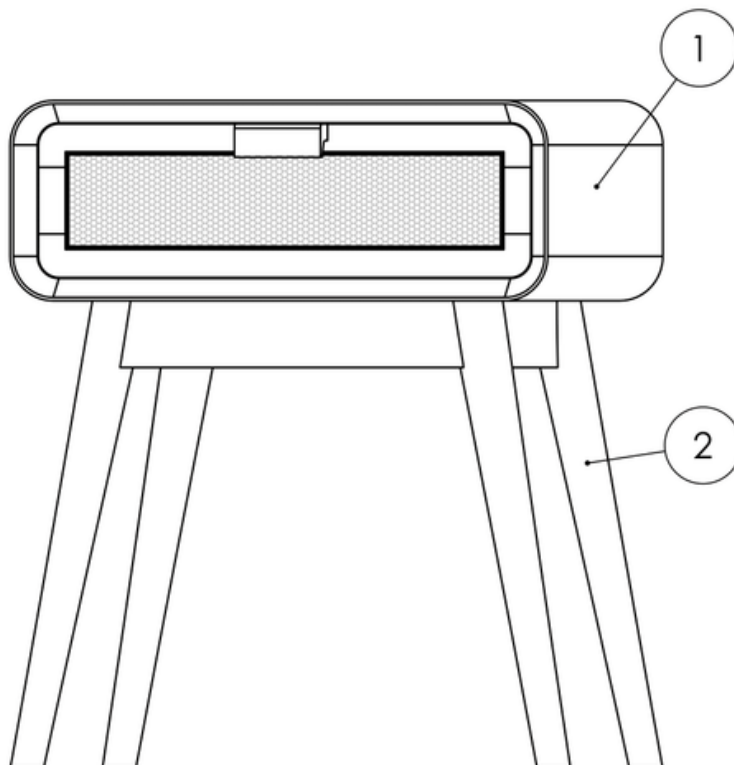


B

1x

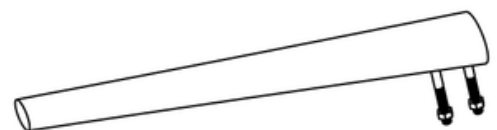


0 h 30 m



1

1X



2

4X

