

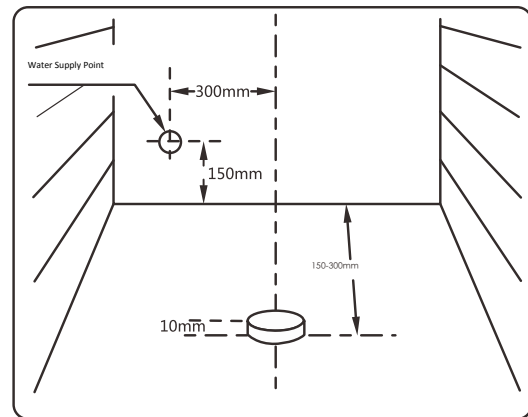
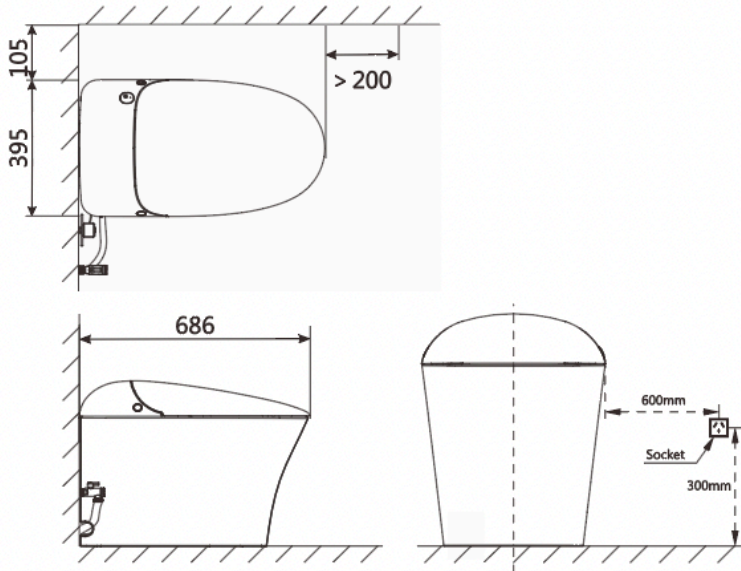
# BRAVAT

BY DIETSCHÉ  1873

## ZTT-501 Ely.Wish Intelligent Toilet



**WaterMark**  
**AS/NZS 3718**  
**WM-022958**



**FINISH:** White

\*Installation shall be in accordance with the AS/NZS 3500 series of standards.

### Specifications

- Size : 686\*395\*499mm
- Working pressure : 250Kpa-500Kpa
- Applicable Voltage : AC 220-240V/50Hz
- Power : 1300W
- S Trap: 150mm - 300mm
- P Trap: 180mm
- WELS: 1 Star/ 5.4L/Flush
- Powerpoint request

### FEATURE

- Rear Cleansing
- Female Cleansing
- Adjustable Seat Temperature
- Automatic Flush
- Deodorizing
- Foot Induction Flush
- Warm Air Dryer
- Smart Remote Controls
- Soft Nightlight
- Self Cleaning Nozzle
- Aroma Purification

\*The Ely. Wish Intelligent Toilet ZTT-501 complies with WMTS-051 and features an integrated Atmospheric Vacuum Breaker (AVB) that satisfies the high-hazard backflow prevention criteria of AS/NZ 3500.1 without the use of an RPZ valve.

**Bravat Care:** For all sanitary ware products include a 15 Year ceramic replacement and 3 Years labour plus parts warranty\* (Terms & Conditions Apply)

**BRAVAT Global 1800 272 828 | [info@bravataustralia.com.au](mailto:info@bravataustralia.com.au)**