

BRAVAT

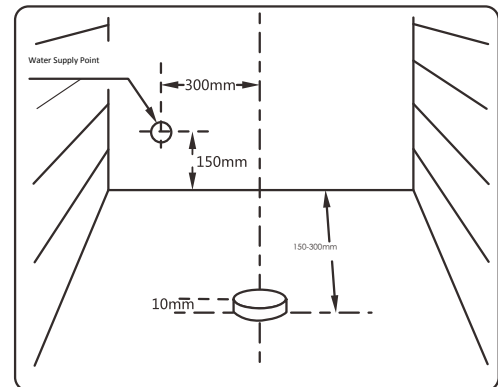
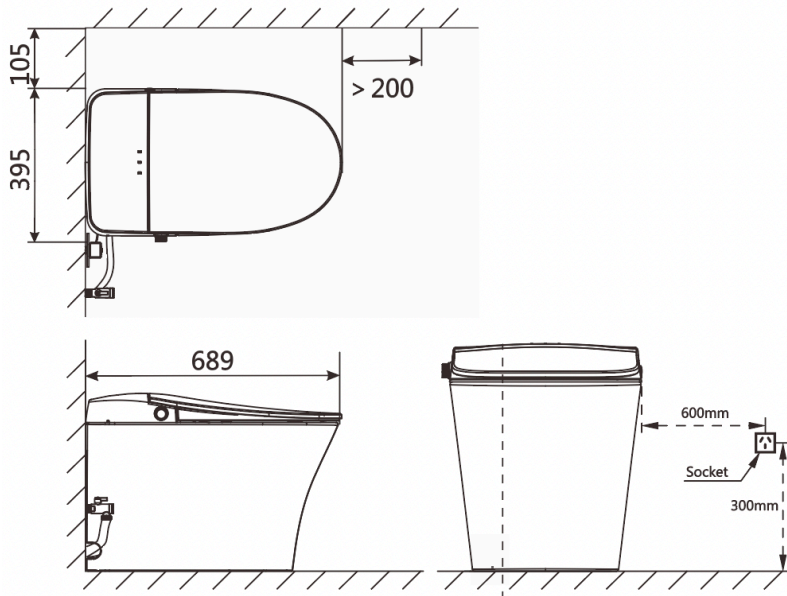
BY DIETSCHE  1873

ZTT-301

Elf.Wing Intelligent Toilet



WaterMark
AS/NZS 3718
WM-022958



FINISH: White

*Installation shall be in accordance with the AS/NZS 3500 series of standards.

Specifications

- Size : 689*395*468mm
- Working pressure : 250Kpa-500Kpa
- Applicable Voltage : AC 220-240V/50Hz
- Power : 1300W
- S-Strap 150mm - 300mm
- P-Strap 180mm
- WELS: 1 Star/ 5.4L/Flush
- Powerpoint request

FEATURE

- Rear Cleansing
- Female Cleansing
- Adjustable Seat Temperature
- Automatic Flush
- Deodorizing
- Warm Air Dryer
- Smart Remote Controls
- Soft Nightlight
- Self Cleaning Nozzle
- Foot Induction Flush

*The Elf. Wing Intelligent Toilet ZTT-301 complies with WMTS-051 and features an integrated Atmospheric Vacuum Breaker (AVB) that satisfies the high-hazard backflow prevention criteria of AS/NZ 3500.1 without the use of an RPZ valve.

Bravat Care: For all sanitary ware products include a 15 Year ceramic replacement 3 Years labour plus parts warranty* (Terms & Conditions Apply)

BRAVAT Global 1800 272 828 | info@bravataustralia.com.au