

8kg capacity top load washing machine with easy to use controls, everyday fast wash programs and durable soft close glass lid.



Product Details

FEATURES

Fast wash programs

Wash options you really need

Delay end option to plan when your wash finishes

Gentle drum

BENEFITS

A cooler clean

The tiniest fingers might leave the biggest imprint on your heart but they won't on your clothes thanks to our PreMix+ technology. For a better wash at cooler temperatures, PreMix+ blends detergent with water and pressure sprays it onto the load to reduce detergent residue.

Call time on waiting

Let our handy time remaining display count down to the program finish, so you know when your wash will be done. If only bedtime was that easy.

Softly does it

Honey, you won't shrink the kids or any of your other favourite items with our gentle wash action a handwash equivalent for your delicates at the press of a button.

Ease your load

You won't need a background in IT to operate our easy use, easy clean, inclusive control panels. Because technology is supposed to make your life easier.

Help in a hurry

Whether it's a fast 20 minute wash because your favourite top needs a freshen up, a 45 minute mid-week daily wash or a Fullload 60 program after a muddy weekend of sport, our Fast Wash Programs mean you can get on with your day without delay.

Save water, choose Westinghouse

Our auto water level sensor conserves precious H₂O, automatically choosing the ideal water level for each wash. If only it could perfectly pour your Friday night wine, too.

Forgiving on fingers

Our soft closing child-safe lid means little fingers won't get a nasty surprise. Plus, our washing machines feature a child safe lid lock for added peace of mind.

Fold on the go

Traditional whitegoods get an upgrade with our premium safety glass lid. Not only is it stylish and durable, it offers an extra laundry workspace thanks to the scratch resistant flat top.

Back to black

Our simple access easy clean lint filter means your leggings will stay black and not just become a grey fuzz magnet.

Better results with a new gentler drum

Designed to treat your clothes with the care they deserve, the gentle drum has thousands of holes to enhance the water flow rate so that detergent dissolves faster. This improves effectiveness and ensures a deeper clean.

Specifications

PRODUCT PROFILE

Domestic warranty details (yrs)	2
Capacity (Kg)	8
Toploader Wash system	PreMix+

ENERGY

Energy Star Rating	3
Energy consumption cold water (kWhr/yr)	187
Energy Consumption Warm (KWhr/yr)	438
Water efficiency star rating	3
Water consumption (litres)	117

DIMENSIONS

Total height (mm)	1095
Total width (mm)	670
Total depth (mm)	720
Height with lid open (mm)	1460
Depth with hoses (mm)	745

WASH PROGRAMS

Number of Programs	12
Toploader Wash programs	Delicate,Rinse & Spin,Bedding,Daily 45,Fast 20,Full Load 60,Dirty 90,Extra Dirty 120,Spin,Machine Clean,Eco Save,Stain
Wash options	Rinse,Delay End,Child Lock,Start/Pause,Water Level,Temperature,Spin Option
weight (kg)	8
Dispenser	bleach dispenser,Softener dispenser,Powder or liquid detergent dispenser

CONTROLS

Type of controls	electronic rotary,electronic
------------------	------------------------------

Control panel colour	grey
----------------------	------

Functions available	Child Lock,PreMix,Temperature
---------------------	-------------------------------

Type of display	LCD
-----------------	-----

Dirt level selection	No
----------------------	----

BOWL

Spin tub material	stainless steel
-------------------	-----------------

CABINET

Cabinet Colour	white
----------------	-------

Cabinet Type	curved front
--------------	--------------

WASH PROGRAMS

On screen stain guide	No
-----------------------	----

BUTTON FUNCTION

Button Functions	water temp,water level,Child lock,start/pause,rinse option,spin speed
------------------	---

LID

Lid Removal	no
-------------	----

Lid Type	glass insert,Soft closing lid
----------	-------------------------------

Lid Colour	Black
------------	-------

TECHNICAL

Water pressure requirements min	50
---------------------------------	----

CABINET

Cabinet material	painted galvanized steel
------------------	--------------------------

TECHNICAL

Water pressure requirements max	800
---------------------------------	-----

Water supply	hot and cold
--------------	--------------

Inlet hose length	1300
-------------------	------

Inlet hose extension avail as spare part	Yes
--	-----

Drain hose length	1500
-------------------	------

Service cord length	1800
---------------------	------

Toploader Wash system	Agitator wash action
-----------------------	----------------------

Rinsing system	extra rinse,deep rinse,eco rinse,Fast rinse
----------------	---

Maximum spin speed	800
--------------------	-----

Variable spin speed	Yes
---------------------	-----

Number of spin speeds	3
-----------------------	---

Levelling legs, adjustable	2
----------------------------	---

Toploader Lint removal	filter in agitator
------------------------	--------------------

Buzzer	end of cycle,out of balance
--------	-----------------------------

Clothes level indicator on agitator	No
-------------------------------------	----

SHIPPING

Shipping Volume (m3)	.609
----------------------	------

Shipping Weight (Kg)	56
----------------------	----

Pack Dimensions Height (mm)	1132
-----------------------------	------

Pack Dimension Width (mm)	707
---------------------------	-----

Pack Dimension Depth (mm)	761
---------------------------	-----

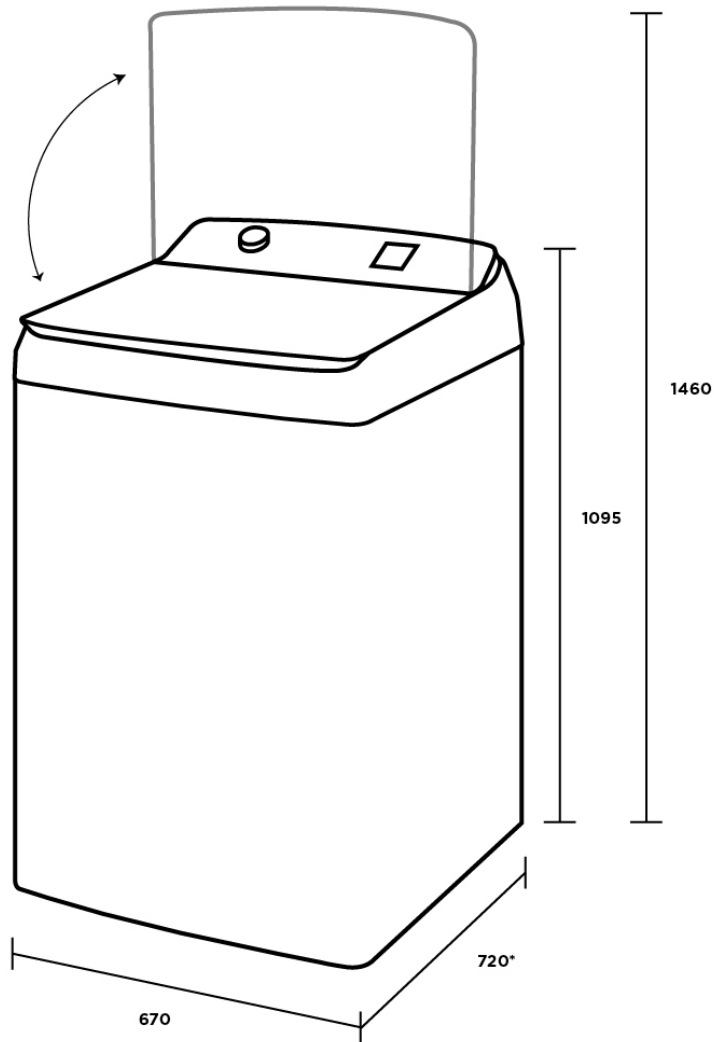
STUFFING QUANTITIES

40ft HC	90
---------	----

Dimensions

Top Load Washers

WWT8084J7WA
WWT9084C7WA
WWT1084C7WA
WWT1184C7WA
WWT1284M7WA



*Add 25mm for the hose protrusion at the back

IMPORTANT

These dimensions are a guide only. All measurements are in millimetres (mm).
For complete installation instructions, refer to the manual provided with product.

Terms and Conditions

IMPORTANT

This is a guide of product dimensions only. For complete installation instructions, refer to the manual provided with product.

PRODUCT INFORMATION

The descriptors and illustrations in this publication apply to the specific products and models described as at the date of issue. Under our policy of continuous product development, product specifications may change without notice. Prospective purchasers should therefore check with their retailer to ensure this publication correctly describes the products that are being offered for sale. All information supplied is to be used for general reference purposes only and is on the understanding that Electrolux Home Products Pty Ltd (Australia) and Electrolux (NZ) Ltd (New Zealand) will not be liable for any loss, liability or damage of whatever kind arising as a result of reliance on such information. Colours of products illustrated are as close as printing limitations allow. Electrolux will at all times comply with its obligations pursuant to law including Trade Practices (Australian Consumer Law) Act and Regulations.

WARRANTY

This warranty only applies to Appliances purchased and used in Australia or New Zealand and used in normal domestic applications and is in addition to (and does not exclude, restrict, or modify in any way) any non-excludable statutory warranties in Australia or New Zealand. All warranties are subject to the conditions set out in the warranty card accompanying the product when purchased.

ELECTROLUX HOME PRODUCTS AUSTRALIA

telephone: 1300 363 640

fax: 1800 350 067

email: customercare@electrolux.com.au

web: www.electrolux.com.au

ELECTROLUX HOME PRODUCTS NEW ZEALAND

telephone: 09 573 2230

fax: 09 573 2221

email: customercare@electrolux.co.nz

web: www.electrolux.co.nz