

90cm multi-function 17 dark stainless steel PyroClean oven with AirFry, EasyBake +Steam, twin fan, telescopic runners, and full touch TFT controls.

RRP AUS \$4,199.00



Product Details

FEATURES

AirFry	EasyBake +Steam	TFT touchscreen controls	Twin Fan System
Fast Heat Up	PyroClean	Telescopic Runners One set of telescopic runners	Large 125L gross oven capacity
Easy guide side racks	Cooler to Touch Doors	Dark Stainless Steel Finish	

BENEFITS

AirFry for that perfect, crunch

When a food craving hits, make healthier and delicious food right in your oven with minimal oil. Deliver all the flavour and none of the guilt. AirFry allows you to make healthier, tasty meals for the entire family right in your oven.

Tastier baking starts with steam

Take your baking to the next level with our Easy Bake +Steam function. Steam helps you get a better rise, crispier crust, a fluffier centre and tastier textures for all your bread, pastries, cakes, and puddings.

New Easy-to-use controls

Using our ovens TFT control panel is easier than ordering online food. Oven functions are grouped together to make selecting the right option faster and easier than ever. We even have 4 four options under AirFry to help you select the right one for the right food.

Even cooking twin fan system

Our twin fan system that works to evenly distribute heat throughout the oven so you can enjoy delicious results every time.

Ovens that clean up after themselves

Even cleaning up is easier with Westinghouse. Choose a PyroClean oven and with the press of a button you can keep your oven shiny and clean. The oven turns on to an extremely high temperature, turning grease and grime into ash. All you need to do is simply wipe the residue away. No nasty chemicals, no greasy mess just a sparkling clean oven with minimal effort.

Built in Australia

Westinghouse, has been the heart of the home for generations and the kitchen appliance brand we have always known and trusted to build reliable products. This oven is built in a local factory in Adelaide.

Dinner's done sooner with our fast heat up oven
Why wait longer? Our fast oven heat up means you can get on
with the job of getting dinner on the table sooner.

Designed for ease and safety
Telescopic runners are another piece of thoughtful design that
makes it easy to draw racks out and safely check on your
dishes during cooking.

Specifications

PRODUCT PROFILE

Domestic warranty details (yrs)	2
Type of Oven	single pyrolytic oven
Oven fuel	electric
Materials/Colour	Dark stainless steel
Controls of Oven	TFT touchscreen
Cooling fan	Yes

FLUSH FIT CUT OUT

Flush fit cut out height (mm)	600
Flush fit cut out width (mm)	900
Flush fit cut out depth (mm)	581

DIMENSIONS

PRODUCT DIMENSION

Total height (mm)	596
Total width (mm)	895
Total depth (mm)	573

MAIN OVEN

Gross capacity litres	125
Useable capacity litres	116
Oven function	multifunction
Number of functions	17

MAIN OVEN

Oven Functions	pizza,base heat,defrost,traditional bake,fan forced cooking,fan assist bake,roast,fan grill,AirFry,EasyBake +Steam,Pyroclean,rapid heat,keep warm,dough proving,slow cooking,full grill,Half grill
Oven liner	pyrolux high temperature enamel
Timer functions	duration,end,minute minder,oven start,Countdown
Light wattage	25

ELECTRICAL CONNECTION

Connected load KW	5.1
Maximum current rating (amps)	20.8
Type of connection	hardwired

OTHER FEATURES

Cleaning	pyrolytic
Pyrolytic functions	2
Type of Pyrolytic functions	pyrolytic light clean,pyrolytic medium clean
Door	removable door,removable inner glass panes,drop down
Timer	Fully programmable touch control timer
Lights	2
Light wattage	25

OTHER FEATURES

Light position	top
Telescopic runners	one
Shelf support	Easy glide side racks
Number of shelves	2
Safety features	cool door
Closed door grilling	Yes
Included accessories	grill/oven pan,grill insert,AirFry tray,telescopic runner x 1,baking tray,side racks,wire shelf
Layers of glass in door	4
Number of shelf positions	5

SHIPPING

Shipping Volume (m3)	0.675
Shipping Weight (Kg)	72
Pack Dimensions Height (mm)	900
Pack Dimension Width (mm)	1000

STUFFING QUANTITIES

40ft	96
------	----

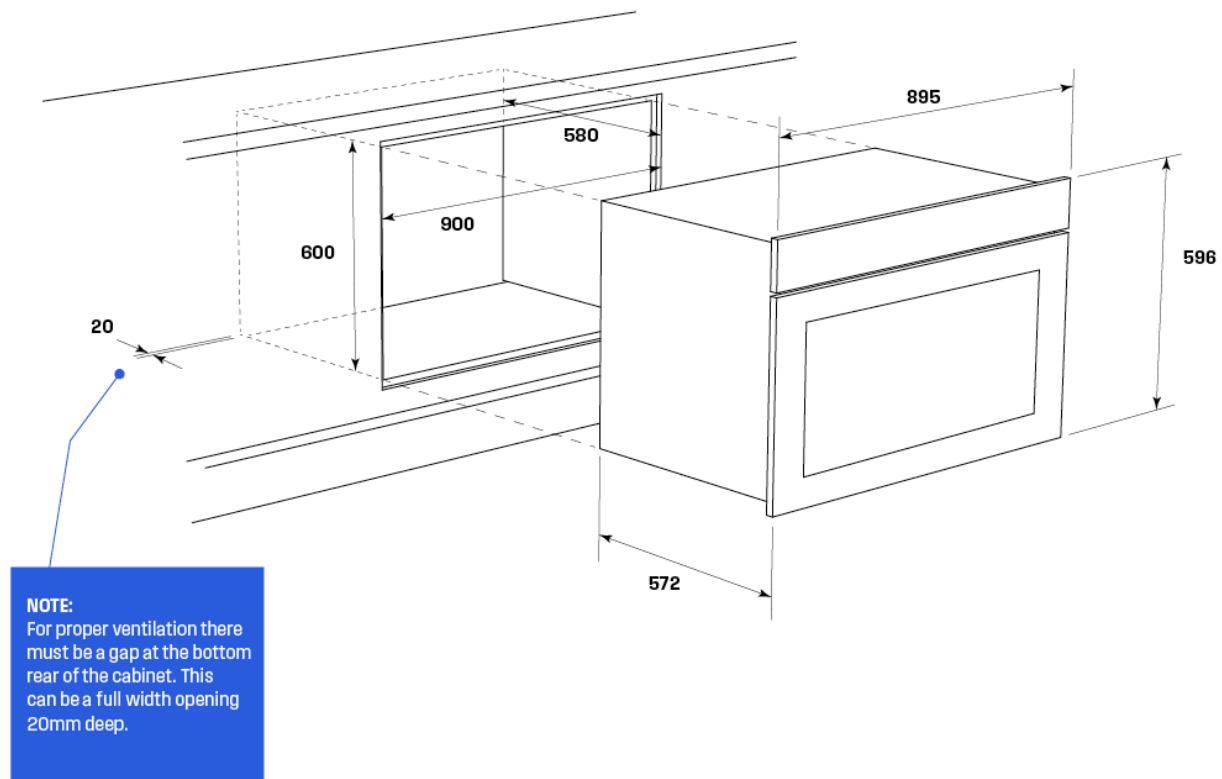
SHIPPING

Pack Dimension Depth (mm)	750
------------------------------	-----

Dimensions

90cm ovens

WVE9515SD, WVE9516DD, WVEP9716SD, WVEP9917DD,
WVE9915DDA, WVE9915SDA



IMPORTANT

These dimensions are a guide only. All measurements are in millimetres (mm).
For complete installation instructions, refer to the manual provided with product.

Terms and Conditions

IMPORTANT

This is a guide of product dimensions only. For complete installation instructions, refer to the manual provided with product.

PRODUCT INFORMATION

The descriptors and illustrations in this publication apply to the specific products and models described as at the date of issue. Under our policy of continuous product development, product specifications may change without notice. Prospective purchasers should therefore check with their retailer to ensure this publication correctly describes the products that are being offered for sale. All information supplied is to be used for general reference purposes only and is on the understanding that Electrolux Home Products Pty Ltd (Australia) and Electrolux (NZ) Ltd (New Zealand) will not be liable for any loss, liability or damage of whatever kind arising as a result of reliance on such information. Colours of products illustrated are as close as printing limitations allow. Electrolux will at all times comply with its obligations pursuant to law including Trade Practices (Australian Consumer Law) Act and Regulations.

WARRANTY

This warranty only applies to Appliances purchased and used in Australia or New Zealand and used in normal domestic applications and is in addition to (and does not exclude, restrict, or modify in any way) any non-excludable statutory warranties in Australia or New Zealand. All warranties are subject to the conditions set out in the warranty card accompanying the product when purchased.

ELECTROLUX HOME PRODUCTS AUSTRALIA

telephone: 1300 363 640

fax: 1800 350 067

email: customercare@electrolux.com.au

web: www.electrolux.com.au

ELECTROLUX HOME PRODUCTS NEW ZEALAND

telephone: 09 573 2230

fax: 09 573 2221

email: customercare@electrolux.co.nz

web: www.electrolux.co.nz