

90cm multi-function 8 dark stainless steel oven with AirFry, telescopic runners, twin fan, and 125L gross capacity.

RRP AUS \$2,749.00



Product Details

FEATURES

AirFry	Twin Fan System	Fast Heat Up	Telescopic Runners One set of telescopic runners
Large 125L gross oven capacity	Programmable timer	Easy guide side racks	Cooler to Touch Doors
Dark Stainless Steel Finish			

BENEFITS

AirFry for that perfect crunch
When a food craving hits, make healthier and delicious food right in your oven with minimal oil. Deliver all the flavour and none of the guilt. AirFry allows you to make healthier, tasty meals for the entire family right in your oven.

Even cooking twin fan system
Our twin fan system that works to evenly distribute heat throughout the oven so you can enjoy delicious results every time.

Dinner's done sooner with our fast heat up oven
Why wait longer? Our fast oven heat up means you can get on with the job of getting dinner on the table sooner.

ACCESS ALL AREAS WITH EASE
Telescopic runners make it easy for you to slide trays in and out of the oven. This provides safe, effortless access, making it easier to baste during cooking or check on how a dish is coming along. The runners also make light work of lifting and removing hot trays or heavy dishes.

All the room for all your family favourites
If you are serious about creating delicious family feasts and you love entertaining, you'll be right at home with our 90cm oven with a generous 125L gross capacity. That's plenty of room for the biggest Christmas turkey or a weekend roast for all the family. The extra width makes getting things in and out super easy.

Built in Australia
Westinghouse, has been the heart of the home for generations and the kitchen appliance brand we have always known and trusted to build reliable products. This oven is built in a local factory in Adelaide.

Place your shelves in with ease
Our easy guide side racks allow you to place your oven
shelves in with ease.

Specifications

PRODUCT PROFILE

Domestic warranty details (yrs)	2
Type of Oven	single oven
Oven fuel	electric
Materials/Colour	Dark stainless steel
Controls of Oven	3 button touch control LED,control knob
Cooling fan	Yes

FLUSH FIT CUT OUT

Flush fit cut out height (mm)	600
Flush fit cut out width (mm)	900
Flush fit cut out depth (mm)	581

DIMENSIONS

PRODUCT DIMENSION

Total height (mm)	596
Total width (mm)	895
Total depth (mm)	573

MAIN OVEN

Gross capacity litres	125
Useable capacity litres	116
Oven function	multifunction
Number of functions	8

ELECTRICAL CONNECTION

Connected load KW	4.3
Maximum current rating (amps)	17.9
Type of connection	hardwired

MAIN OVEN

Oven Functions	maxi grill,base heat,fan grill,fan forced cooking,pizza,AirFry,traditional bake,SteamAssist Clean
Oven liner	pyrolux high temperature enamel
Timer functions	duration,end,minute minder,oven start
Light wattage	25

OTHER FEATURES

Door	removable door,removable inner glass panes,drop down
Timer	3 button touch control programmable timer
Lights	2
Light wattage	25
Light position	top
Telescopic runners	one
Shelf support	side rack
Number of shelves	2

OTHER FEATURES

Safety features	cool door
-----------------	-----------

Closed door grilling	Yes
----------------------	-----

Included accessories	grill insert,grill/oven pan,telescopic runner x 1,baking tray,side racks,wire shelf,AirFry tray
----------------------	---

Layers of glass in door	3
-------------------------	---

Number of shelf positions	5
---------------------------	---

SHIPPING

Shipping Volume (m3)	0.675
----------------------	-------

Shipping Weight (Kg)	65
----------------------	----

Pack Dimensions Height (mm)	900
-----------------------------	-----

Pack Dimension Width (mm)	1000
---------------------------	------

Pack Dimension Depth (mm)	750
---------------------------	-----

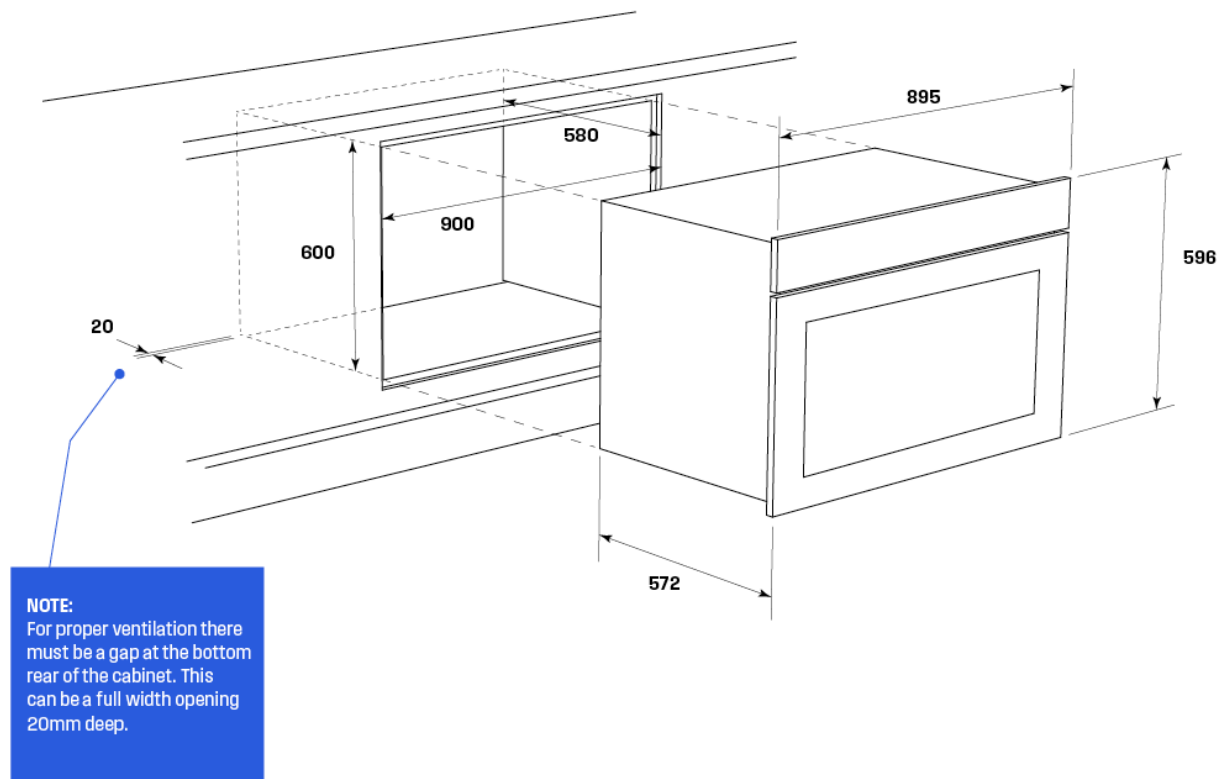
STUFFING QUANTITIES

40ft	96
------	----

Dimensions

90cm ovens

WVE9515SD, WVE9516DD, WVEP9716SD, WVEP9917DD,
WVE9915DDA, WVE9915SDA



IMPORTANT

These dimensions are a guide only. All measurements are in millimetres (mm).
For complete installation instructions, refer to the manual provided with product.

Terms and Conditions

IMPORTANT

This is a guide of product dimensions only. For complete installation instructions, refer to the manual provided with product.

PRODUCT INFORMATION

The descriptors and illustrations in this publication apply to the specific products and models described as at the date of issue. Under our policy of continuous product development, product specifications may change without notice. Prospective purchasers should therefore check with their retailer to ensure this publication correctly describes the products that are being offered for sale. All information supplied is to be used for general reference purposes only and is on the understanding that Electrolux Home Products Pty Ltd (Australia) and Electrolux (NZ) Ltd (New Zealand) will not be liable for any loss, liability or damage of whatever kind arising as a result of reliance on such information. Colours of products illustrated are as close as printing limitations allow. Electrolux will at all times comply with its obligations pursuant to law including Trade Practices (Australian Consumer Law) Act and Regulations.

WARRANTY

This warranty only applies to Appliances purchased and used in Australia or New Zealand and used in normal domestic applications and is in addition to (and does not exclude, restrict, or modify in any way) any non-excludable statutory warranties in Australia or New Zealand. All warranties are subject to the conditions set out in the warranty card accompanying the product when purchased.

ELECTROLUX HOME PRODUCTS AUSTRALIA

telephone: 1300 363 640

fax: 1800 350 067

email: customercare@electrolux.com.au

web: www.electrolux.com.au

ELECTROLUX HOME PRODUCTS NEW ZEALAND

telephone: 09 573 2230

fax: 09 573 2221

email: customercare@electrolux.co.nz

web: www.electrolux.co.nz