

60cm freestanding dishwasher with 15 place settings, 6 wash programs, fast 30min wash, 45dB operation, FlexZone wash options, height adjustable baskets when fully loaded, 1-24 hour delay start and Aquastop anti flood protection.



Product Details

FEATURES

Fast wash cycles

Quiet operation

FlexZone Wash

Adjustable top basket

Delay Start - 1 - 24 Hours

AquaStop antiflood protection

BENEFITS

Faster wash, when you need it

When it comes to doing the dishes you can choose the program that suits you, whether you have a few dishes, half a load or a full load you can choose our Fast 30, Time Saver or Half Load program.

Less dishes use less water.

Every home is different, so is every load of dishes. Our FlexZone half-load wash option saves water and energy when youve got less dishes to wash.

Make room for larger items

Those extra large items can now fit with ease in the bottom basket with our height adjustable upper basket. Even if its fully loaded, it's easily lifted to fit the most awkward item underneath.

Anti-flood for kitchen protection

Sometimes things are out of your control, our aqua control function is designed to step in when you need it most. The anti-flood device automatically cuts off the water to avoid flooding, ensuring your kitchen is looked after.

Specifications

PRODUCT PROFILE

| | |
|---------------------------------|-------------------------|
| Domestic warranty details (yrs) | 2 |
| Type of Dishwashers | freestanding |
| Design family (eline) | Family Size Dishwashers |
| Place settings | 15 |
| Drying system | active dry |
| Number of spray arms | 2 |
| Top shower | Yes |

DIMENSIONS

| | |
|-------------------|-----|
| Total height (mm) | 850 |
| Total width (mm) | 598 |
| Total depth (mm) | 598 |

SPECIFICATION

| | |
|---|----------------------------|
| Water efficiency star rating WELS | 4.5 |
| Water consumption (litres) | 13.5 |
| Energy Star Rating | 3.5 |
| Energy consumption cold water (kWhr/yr) | 294 |
| Noise level dBA | 45 |
| Water supply | cold or hot (maximum 60°C) |
| Basket colour | grey |
| Service cord length | 180 |

WASH PROGRAMS

| | |
|--------------------|---|
| Number of Programs | 6 |
| Programs | fast 30min,heavy,Time Save 50 minutes,eco 50 °C,pre-wash,Delicate |
| Wash option | Hygiene,Delay End,Tablet |

DIMENSIONS

| | |
|---|-----|
| Product height excluding removable worktop (mm) | 820 |
| Height adjustment (mm) | 20 |

CONTROL PANEL

| | |
|---------------------------|---|
| Control panel type | Push button electronic |
| Top mounted control panel | No |
| Control panel finish | black |
| Knob or button finish | black |
| Display indicators | time remaining, wash progress, rinse aid, End, service code, program selected, tablet function, Delay End |

EXTERIOR

| | |
|---------------------------|-----------------|
| Door finish | stainless steel |
| Counter-balance door | Yes |
| Side colour | grey |
| Plinth colour (kickboard) | grey |

FEATURES

| | |
|------------------------|---|
| Other Features | child lock on control panel |
| Water safety system | overflow protection, bottom catchment tray, anti-flood protection |
| Filter system | 3 stage |
| Dispenser | detergent, rinse aid |
| Number of spray levels | 5 |

UPPER BASKET

| | |
|-----------------------|--------------------------------|
| Upper basket features | height adjustable on full load |
| Foldable cup shelves | 4 |
| Foldable Racks | 0 |

EXTERIOR

| | |
|-------------------|-----|
| Removable worktop | Yes |
|-------------------|-----|

| | |
|----------------|------|
| Worktop colour | grey |
|----------------|------|

LOWER BASKET

| | |
|-----------------------|------------------------|
| Lower Basket Features | Modular Cutlery Basket |
|-----------------------|------------------------|

| | |
|----------------|---|
| Foldable Racks | 4 |
|----------------|---|

SHIPPING

| | |
|----------------------|--------|
| Shipping Volume (m3) | 0.3822 |
|----------------------|--------|

| | |
|----------------------|----|
| Shipping Weight (Kg) | 49 |
|----------------------|----|

| | |
|-----------------------------|-----|
| Pack Dimensions Height (mm) | 881 |
|-----------------------------|-----|

| | |
|---------------------------|-----|
| Pack Dimension Width (mm) | 644 |
|---------------------------|-----|

| | |
|---------------------------|-----|
| Pack Dimension Depth (mm) | 661 |
|---------------------------|-----|

HOSES

| | |
|-------------------|-----|
| Inlet hose length | 170 |
|-------------------|-----|

| | |
|-------------------|-----|
| Drain hose length | 180 |
|-------------------|-----|

| | |
|----------------|------------|
| extension hose | spare part |
|----------------|------------|

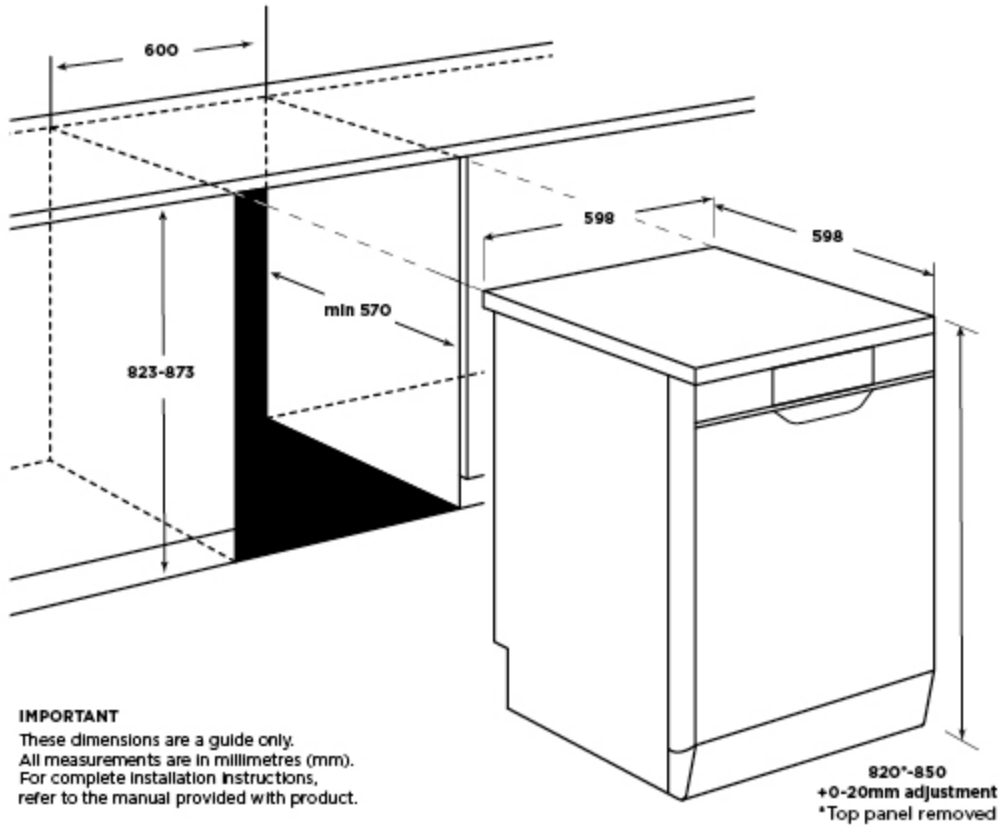
STUFFING QUANTITIES

| | |
|------|----|
| 20ft | 48 |
|------|----|

| | |
|------|-----|
| 40ft | 102 |
|------|-----|

| | |
|---------|-----|
| 40ft HC | 150 |
|---------|-----|

Dimensions



Terms and Conditions

IMPORTANT

This is a guide of product dimensions only. For complete installation instructions, refer to the manual provided with product.

PRODUCT INFORMATION

The descriptors and illustrations in this publication apply to the specific products and models described as at the date of issue. Under our policy of continuous product development, product specifications may change without notice. Prospective purchasers should therefore check with their retailer to ensure this publication correctly describes the products that are being offered for sale. All information supplied is to be used for general reference purposes only and is on the understanding that Electrolux Home Products Pty Ltd (Australia) and Electrolux (NZ) Ltd (New Zealand) will not be liable for any loss, liability or damage of whatever kind arising as a result of reliance on such information. Colours of products illustrated are as close as printing limitations allow. Electrolux will at all times comply with its obligations pursuant to law including Trade Practices (Australian Consumer Law) Act and Regulations.

WARRANTY

This warranty only applies to Appliances purchased and used in Australia or New Zealand and used in normal domestic applications and is in addition to (and does not exclude, restrict, or modify in any way) any non-excludable statutory warranties in Australia or New Zealand. All warranties are subject to the conditions set out in the warranty card accompanying the product when purchased.

ELECTROLUX HOME PRODUCTS AUSTRALIA

telephone: 1300 363 640

fax: 1800 350 067

email: customercare@electrolux.com.au

web: www.electrolux.com.au

ELECTROLUX HOME PRODUCTS NEW ZEALAND

telephone: 09 573 2230

fax: 09 573 2221

email: customercare@electrolux.co.nz

web: www.electrolux.co.nz