

RANGEHOODS

>> SILENT WALLMOUNT RANGEHOOD

with automatic power-off // WM-LIN9S

schweigen



High Quality Stainless Steel Finish

Superior quality stainless steel that's hand polished for luster.



Silent Motor System, up to 1600m³/hr

Enjoy cooking in peace without motor noise from your appliance.



Dishwasher Safe Stainless Steel Filters

Durable materials that (when regularly maintained) can be run through your dishwasher.



LED illumination

Innovative wide-angle LED lighting system allows for safe, clear vision while cooking.



Automatic Power-off

Select this function and the hood will switch off automatically after 15 minutes.



4 Extraction Speeds with Electronic Control

From mild Western style cooking to traditional Eastern cuisine, select the speed that best suits your needs.



Balanced Aspiration

Uses a unique perforated panel behind the filters. This creates a higher than normal level of suction at the extremities, producing an even and balanced capture of grease, fat and oil.



Easy Clean

Due to the quality of the finish, a micro-cloth is all that's required to wipe down the perimeter of the appliance to bring it back to life.



RANGEHOODS

>> SILENT WALLMOUNT RANGEHOOD

with automatic power-off // **WM-LIN9S**

DESCRIPTION

- stainless steel finish
- easy-remove, dishwasher safe stainless steel filters
- automatic power-off
- Balanced Aspiration
- silent Isodrive® motor
- powerful, silent operation
- LED illumination
- 4 extraction fan speeds with electronic control
- filter clean indicator
- 5 Year Warranty

TECHNICAL DATA

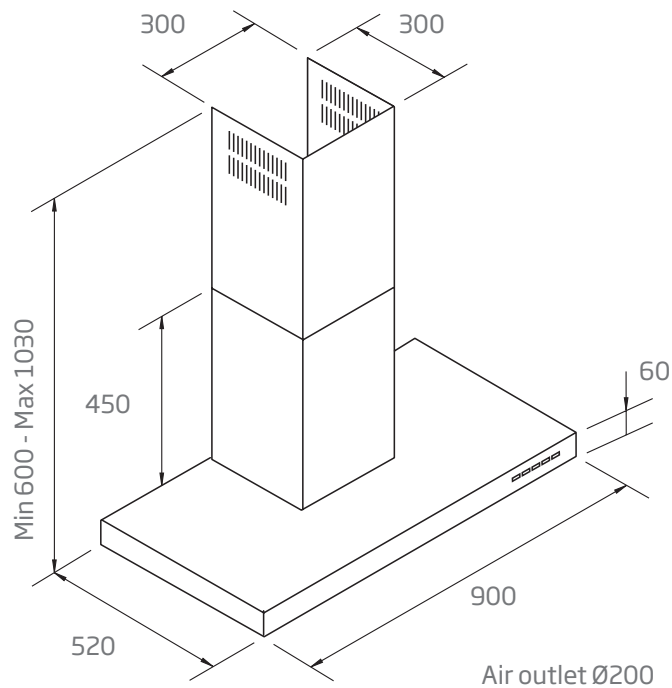
- product dimensions: (W x D) 900 x 520mm
- 3 x stainless steel filters
- 2 x LED lights

ISODRIVE POWER OPTIONS

- **ST** - single external motor, 900m³/h airflow, 200mm SteelFlex™ ducting (4m), install roof/wall
- **SP** - single external motor, 1600m³/h airflow, 200mm SteelFlex™ ducting (6m), install roof/wall
- 10 Year Warranty

MODEL OPTIONS

WM-LIN9S, 900 x 520mm, stainless steel



INSPIRING
INNOVATIVE
INTELLIGENT