

4.5kg vented tumble dryer comes with anti-tangle reverse tumbling action for even drying results. Other features include time drying and warm / hot setting.



Product Details

FEATURES

Front lint filter

Easy to use rotary dial control

Time drying

Front or rear venting

Child safety lock door

Wall mounting kit included

BENEFITS

Stacks of space

Create valuable floor space in your laundry by installing the dryer onto the wall with our secure wall mounting kits.

Reverse Tumbling Action

Tumble action alternates clockwise to anti-clockwise, reducing clothes tangling and bunching together, so they dry more evenly.

Flexible venting options

You choose whether to front or rear vent, with or without the optional venting kit. Allows you to choose the best option to suit your laundry needs

Auto cool down

The auto cool down forms a part of the final drying cycle. This reduces creasing of clothes and provides a safety feature.

Specifications

PRODUCT PROFILE

Domestic warranty details (yrs)	2
---------------------------------	---

Dryer Type	exhaust venting front/rear
------------	----------------------------

Capacity (Kg)	4.5
---------------	-----

Wall mount option	yes
-------------------	-----

ENERGY

Energy Star Rating	1.5
--------------------	-----

Energy consumption (KWhr/yr)	219
------------------------------	-----

BUTTON FUNCTIONS

Functions	Child Lock, Temperature Warm/Hot
-----------	----------------------------------

DIMENSIONS

Total height (mm)	795
-------------------	-----

Total width (mm)	600
------------------	-----

Total depth (mm)	520
------------------	-----

CONTROLS

Type of controls	rotary
------------------	--------

Options available	heat settings
-------------------	---------------

Type of display	none
-----------------	------

DRYING PROGRAMS

Drying Programs	timed programs
-----------------	----------------

Venting	optional rear venting, directional front vent grille
---------	--

DOOR

Type	See through door
------	------------------

Dryer Door colour	white
-------------------	-------

Door safety	door safety switch
-------------	--------------------

CABINET

Cabinet Colour	white
----------------	-------

Cabinet material	painted galvanized steel
------------------	--------------------------

TECHNICAL

Service cord length	1.8
---------------------	-----

Dryer Lint filter position	front pocket
----------------------------	--------------

Dryer Element watts	2100
---------------------	------

Dryer Safety thermostat heater	Yes
--------------------------------	-----

SHIPPING

Shipping Volume (m3)	0.293
----------------------	-------

Shipping Weight (Kg)	26.6
----------------------	------

Pack Dimensions Height (mm)	845
-----------------------------	-----

Pack Dimension Width (mm)	625
---------------------------	-----

Pack Dimension Depth (mm)	555
---------------------------	-----

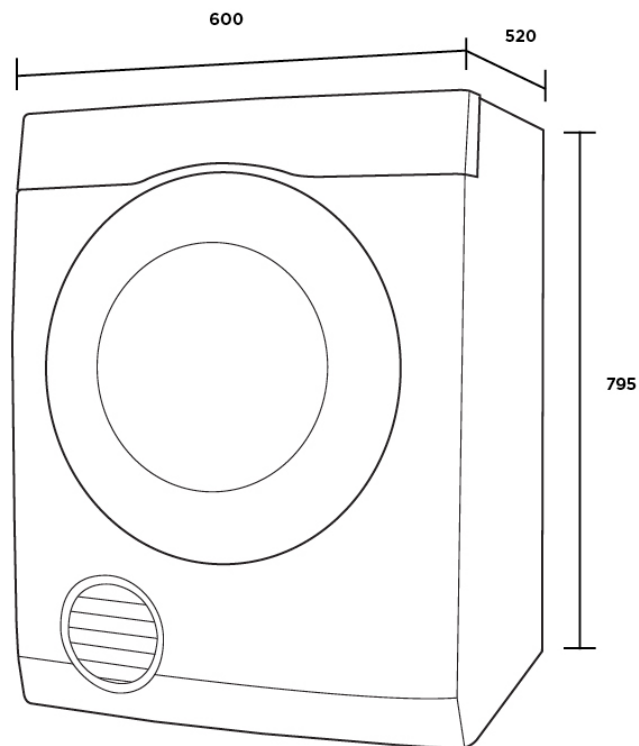
STUFFING QUANTITIES

40ft HC	228
---------	-----

Dimensions

Vented Dryer

WDV457H3WB



IMPORTANT

These dimensions are a guide only. All measurements are in millimetres (mm).
For complete installation instructions, refer to the manual provided with product.

Terms and Conditions

IMPORTANT

This is a guide of product dimensions only. For complete installation instructions, refer to the manual provided with product.

PRODUCT INFORMATION

The descriptors and illustrations in this publication apply to the specific products and models described as at the date of issue. Under our policy of continuous product development, product specifications may change without notice. Prospective purchasers should therefore check with their retailer to ensure this publication correctly describes the products that are being offered for sale. All information supplied is to be used for general reference purposes only and is on the understanding that Electrolux Home Products Pty Ltd (Australia) and Electrolux (NZ) Ltd (New Zealand) will not be liable for any loss, liability or damage of whatever kind arising as a result of reliance on such information. Colours of products illustrated are as close as printing limitations allow. Electrolux will at all times comply with its obligations pursuant to law including Trade Practices (Australian Consumer Law) Act and Regulations.

WARRANTY

This warranty only applies to Appliances purchased and used in Australia or New Zealand and used in normal domestic applications and is in addition to (and does not exclude, restrict, or modify in any way) any non-excludable statutory warranties in Australia or New Zealand. All warranties are subject to the conditions set out in the warranty card accompanying the product when purchased.

ELECTROLUX HOME PRODUCTS AUSTRALIA

telephone: 1300 363 640

fax: 1800 350 067

email: customercare@electrolux.com.au

web: www.electrolux.com.au

ELECTROLUX HOME PRODUCTS NEW ZEALAND

telephone: 09 573 2230

fax: 09 573 2221

email: customercare@electrolux.co.nz

web: www.electrolux.co.nz