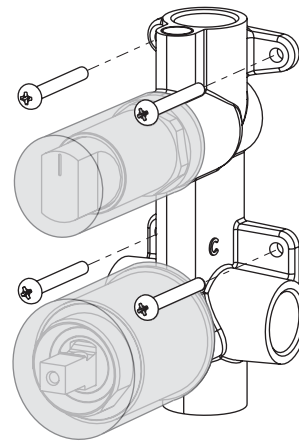


1

Screw the diverter mixer assembly in place. Attach water supplies.

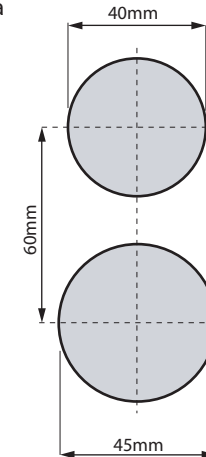
Test and check for leaks

Do not remove Protective Covers until final fit-off.



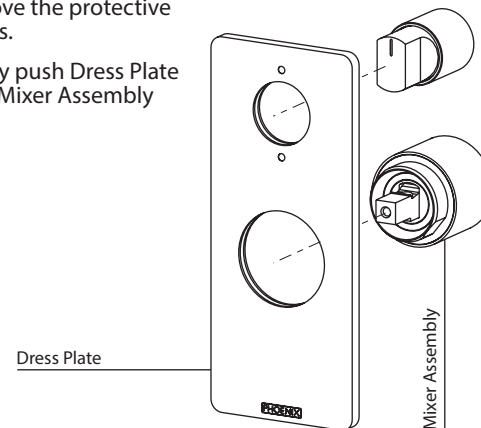
2

Cut a 40mm hole and a 45mm hole in cement sheet and tiles, 60mm apart, as shown.



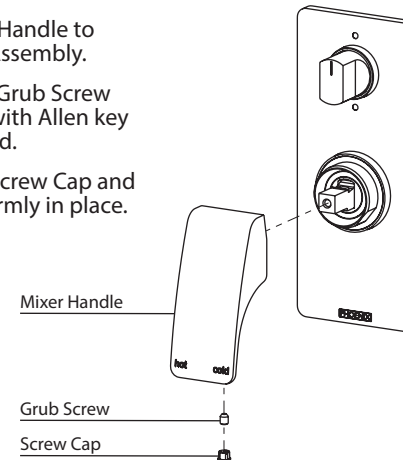
3

Remove the protective covers.
Gently push Dress Plate onto Mixer Assembly



4

Attach Handle to Mixer Assembly.
Fasten Grub Screw firmly with Allen key supplied.
Insert Screw Cap and press firmly in place.



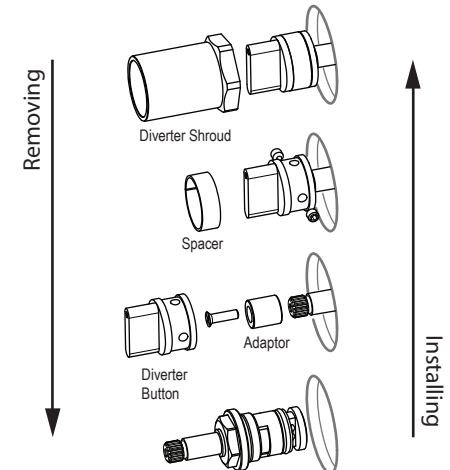
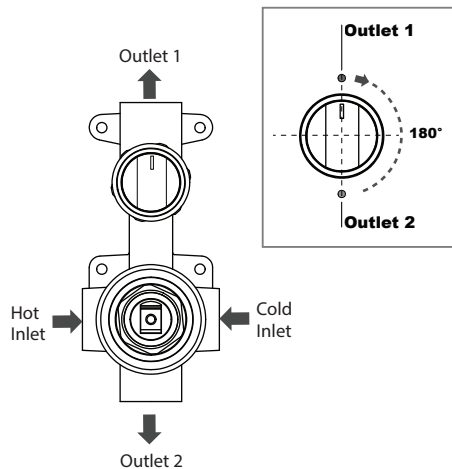
CARTRIDGE REPLACEMENT

Removing Diverter:

- Remove the dress plate.
- Remove the diverter shroud with a 27mm tube spanner.
- Remove the plastic spacer.
- Release grub screws.
- Remove the diverter button.
- Release the screw. Remove the adaptor.
- Remove the diverter cartridge with a 21mm tube spanner.

Installing Diverter:

- Install the diverter shroud with a 27mm tube spanner.
- Push the dress plate back to position.
- Fasten grub screws and fit the plastic spacer to position.
- Fasten the screw to secure Spindle Adaptor on the spindle.
- Turn spindle Anti-Clockwise until it stops.
- Push on Diverter Button.
- Fasten New Diverter Cartridge with the tube spanner.



recommended working pressure
150-500 KPa



maximum hot water temperature
75 degrees

NOTE:
- If the pressure exceeds or is likely to exceed 550kpa, an approved pressure limiting device must be installed.
- Flush out all pipe work prior to installation.
- If the water temperature exceeds 75°C, an approved tempering valve must be fitted.
- Installation should comply with Australian standard AS3500.1 or relevant local authority requirements. Showers may not be suitable for use within:
• Gravity-fed water systems

• Pressure supply less than 150kPa;
NOTE: The 500kPa maximum water supply pressure does not apply to fire service outlets.

Failure to comply with the above may void all warranties.

WARRANTY:
Please refer to the full warranty statement enclosed with the product before installing. Or visit www.phoenixtapware.com.au to download a

MAINTENANCE AND CARE:

- Products should be cleaned with mild liquid detergent or soap and water.
- Do not use cream cleaners or citrus based cleaning products, as they are abrasive.
- Use of unsuitable cleaning agents may damage the surface. Any damage caused in this way will not be covered by warranty.

DISCLAIMER:

While we aim to ensure the specifications shown are correct at the time of printing, Phoenix Tapware reserves the right to make modifications without prior notice. Always use the physical product measurements for mark-ups and roughing-in as the line drawing shown may differ from the actual product over time.

*All measurements are shown in millimeters.