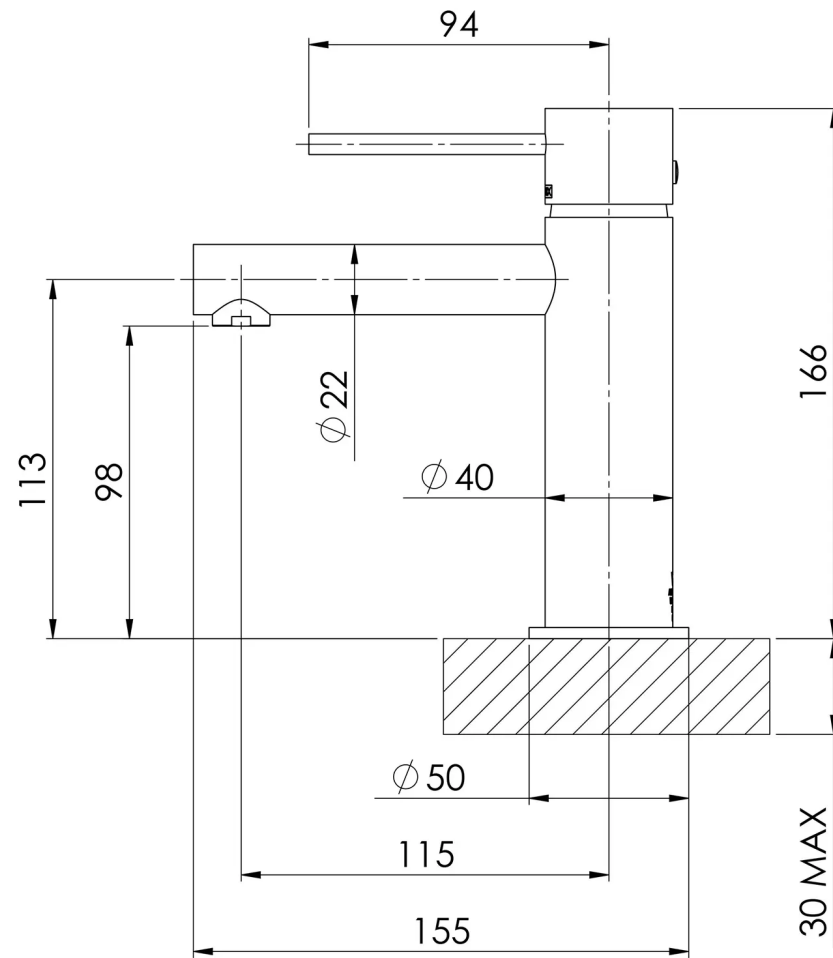


VIVID SLIMLINE

VIVID SLIMLINE BASIN MIXER

SPECIFICATIONS



AVAILABLE IN



VS770 CHR
Chrome



VS770 BN
Brushed Nickel



VS770 GM
Gun Metal



VS770-31
Brushed Carbon



VS770 MB
Matte Black



VS770-12
Brushed Gold

INFORMATION

Temperature Rating
1 - 75°C

Pressure Rating
150 - 500kPa

MAINTENANCE AND CARE:

- All surfaces should be cleaned with mild liquid detergent or soap and water.
- Do not use cream cleaners or citrus based cleaning products, as they are abrasive.
- Use of unsuitable cleaning agents may damage the surface.
- Any damage caused in this way will not be covered by warranty.

Please visit <https://www.phoenixtapware.com.au/warranty> to view the full warranty

