



### WATER SUPPLY REQUIREMENTS



150 KPa Min.  
550 KPa Max.

Recommended Working Pressure



75°

Maximum hot water temperature

#### Note:

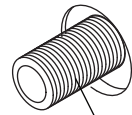
- If the pressure exceeds or is likely to exceed 550kpa, an approved pressure limiting device must be installed.
  - Flush out all pipe work prior to installation.
  - If the water temperature exceeds 75°C, an approved tempering valve must be fitted.
  - Installation should comply with Australian standard AS3500.1 or relevant local authority requirements.
  - Showers may not be suitable for use with gravity-fed water heaters, low-pressure supply networks or some instantaneous water heaters.
- NOTE: Some showers with nominal flow rates of less than 7.5lit/min may not provide an effective shower when used with gravity-fed water heaters, low-pressure supply networks or some instantaneous water heaters.

Failure to comply with the above may void all warranties.

#### Maintenance and Care

- Chrome plated surfaces should be cleaned with mild liquid detergent or soap and water.
- Do not** use cream cleaners or citrus based cleaning products, as they are abrasive.
- Use of unsuitable cleaning agents may damage the surface. Any damage caused in this way will not be covered by warranty.

1



Apply teflon tape to threaded tail

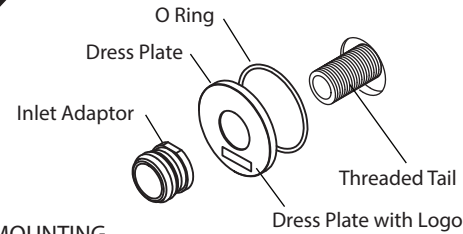


620mm to 680mm recommended top and bottom mounting distance



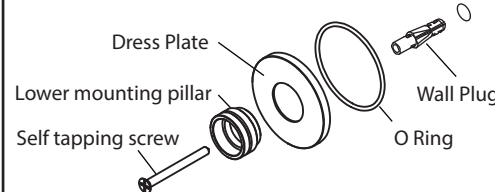
For masonry and tiled walls, drill a 8mm hole for supplied plastic wall plug. For plasterboard, use a toggle type fastener (not supplied).

2



#### TOP MOUNTING

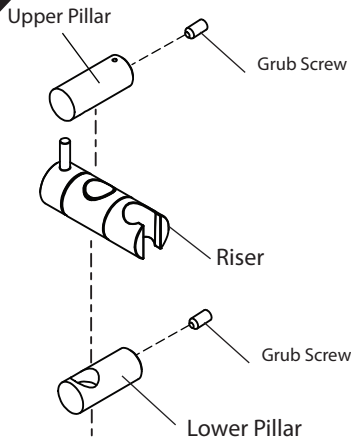
Place Dress Plate and O Ring over threaded tail. Screw Inlet Adaptor onto threaded tail. Tighten Firmly.



#### BOTTOM MOUNTING

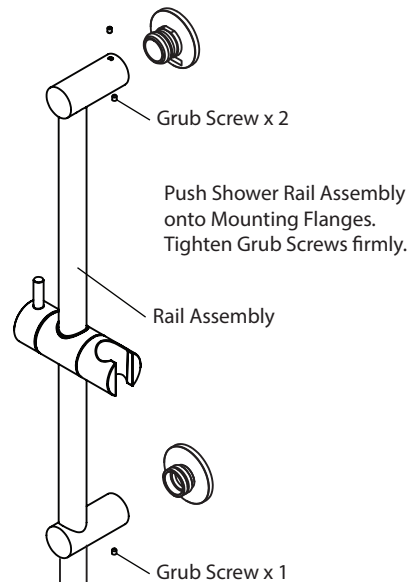
Push Wall plug into drilled hole. Fit Lower Mounting Pillar, Dress Plate and O ring over the Wall Plug and screw in place with screw. Tighten firmly.

3

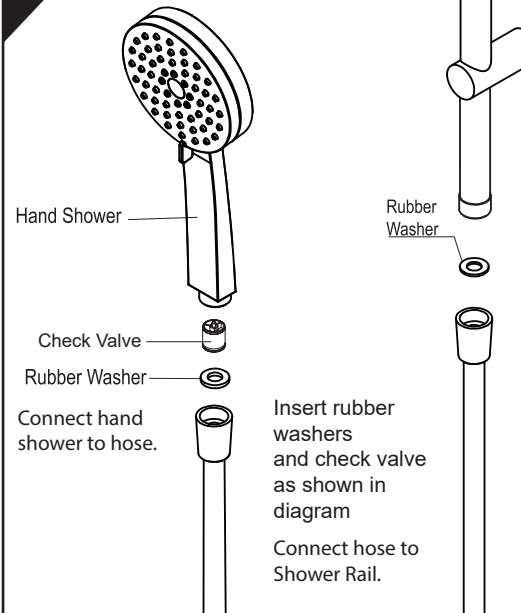


Note: Shower Rail is shipped as an installed assembly. If disassembly is required, please refer to diagram

4



5



Hand Shower

Check Valve

Rubber Washer

Connect hand shower to hose.

Insert rubber washers and check valve as shown in diagram

Connect hose to Shower Rail.

