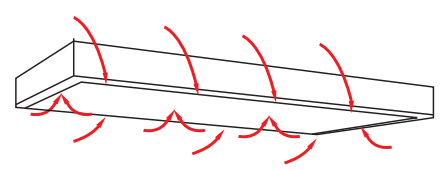


SILENT UNDERMOUNT RANGEHOOD 90cm UM-PA9S



Pictured: Perimeter Aspiration image for illustration purposes only; electronic touch control operation panel.

- **concealed design** - stainless steel undermount rangehood integrates seamlessly with kitchen cabinetry, creating a modern minimalist kitchen style.
- **powerful silent extraction** - Perimeter Aspiration filter with externally mounted, German engineered Isodrive® motor delivers effective, efficient extraction of steam, smoke and odours, leaving your kitchen air fresher.
- **Perimeter Aspiration** - as smoke and steam rises, it is directed to the outer edges of the canopy, before being extracted through the filters.

SILENT UNDERMOUNT RANGEHOOD 90cm UM-PA9S



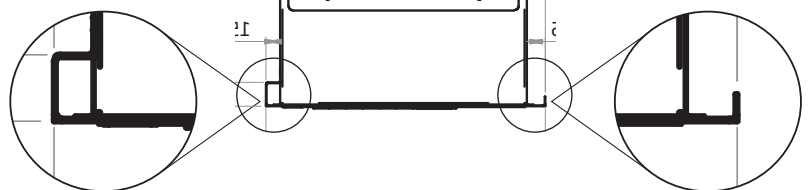
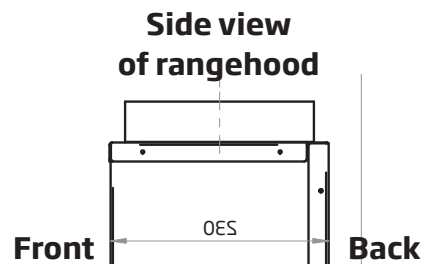
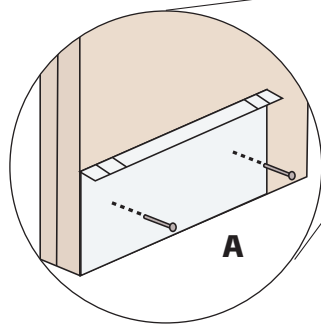
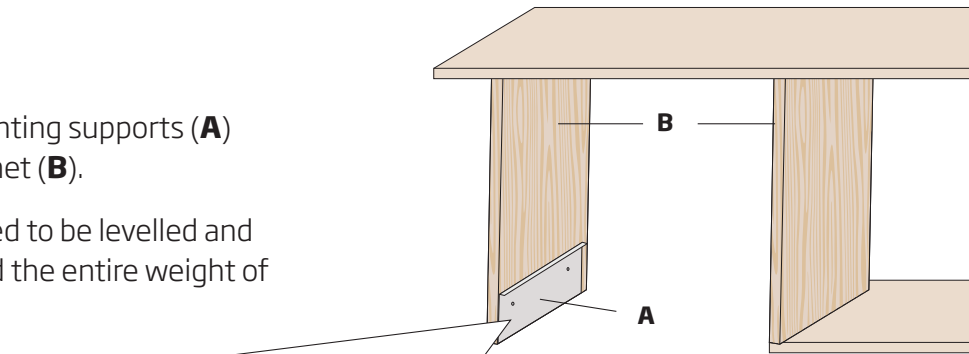
IMPORTANT

Please read the installation guide thoroughly prior to installation. This model has a different method of installation compared to standard undermounts.

Step 1

Fix the rangehood mounting supports (A) to the sides of the cabinet (B).

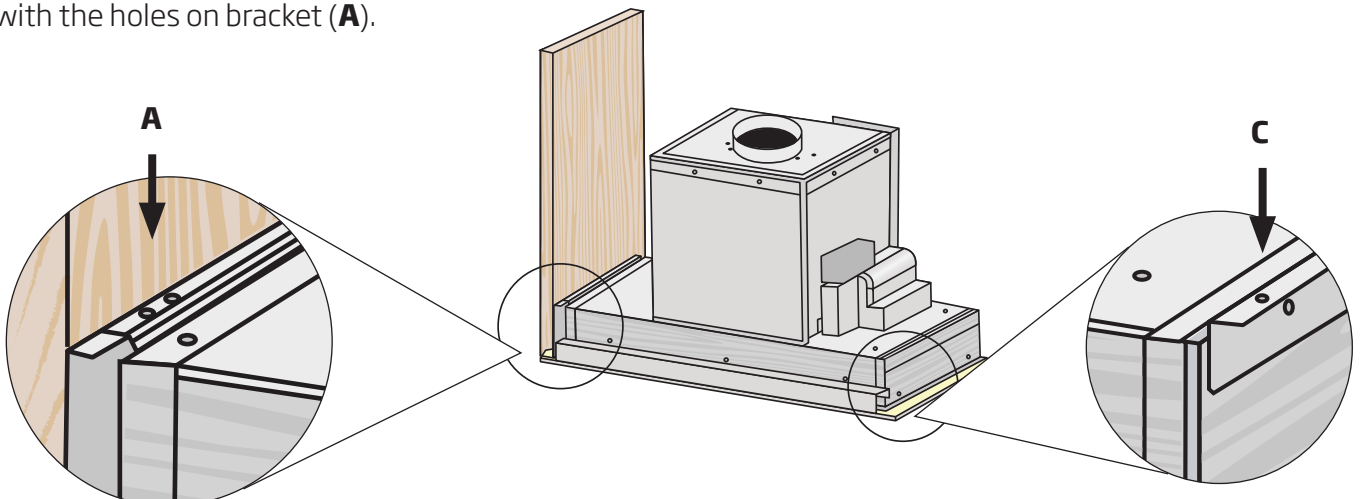
Note: The brackets need to be levelled and secured, in order to hold the entire weight of the undermount.



Step 2

Slide the undermount **in from the front of the cabinetry**, onto the rangehood mounting supports (A).

Line up the undermount bracket (C) with the holes on bracket (A).



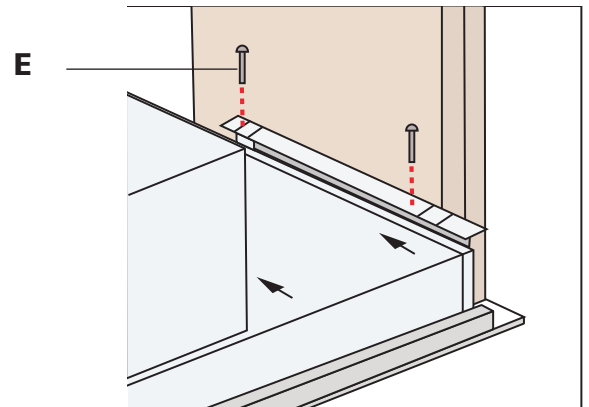
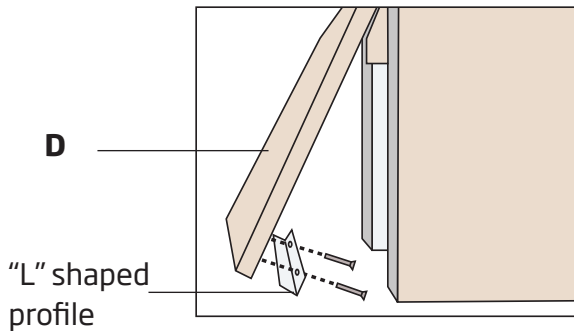
SILENT UNDERMOUNT RANGEHOOD 90cm UM-PA9S

Step 3

Fit the undermount in place, using the installation screws provided (E).

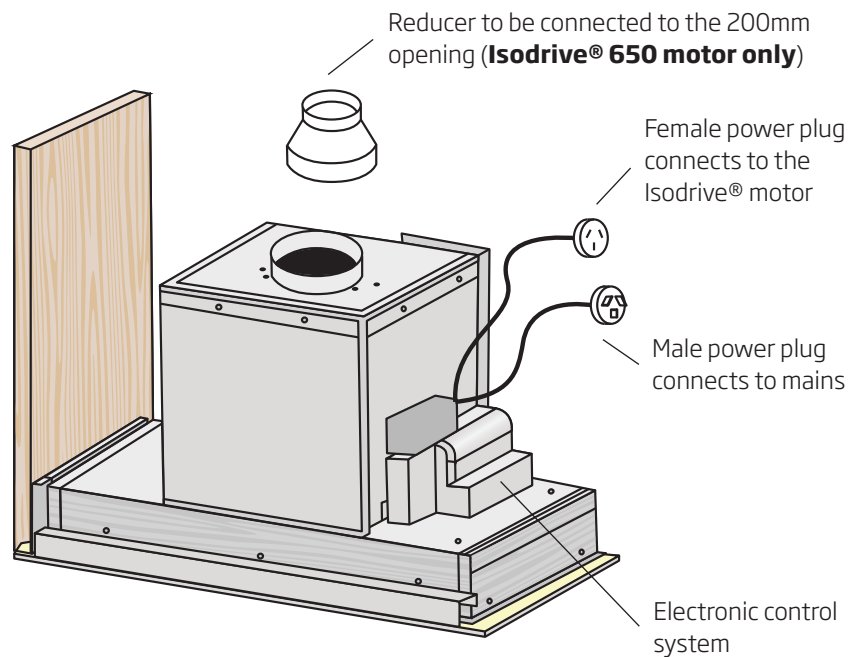
Protecting the Cabinet Door – Optional

A reversible “L” shaped profile is provided for optional cabinet door (D) protection.



Step 4

Only install the reducer if you are connecting the rangehood to the Isodrive® 650 motor. **DO NOT** install the reducer for any other motor system.



Step 5

Once the rangehood is fitted into the cabinetry, connect the male and female power connections to the corresponding connections. Male to main power, female to Isodrive® motor. The flexi ducting will attach to the outlet on the rangehood and the Isodrive® motor.

Note: The electronics need to be accessible after installation, in case a service is required.

SILENT UNDERMOUNT RANGEHOOD 90cm UM-PA9S

DESCRIPTION

- stainless steel finish
- Perimeter Aspiration
- Silent Isodrive® motor system
- soft touch controls
- digital display
- 4 x speed levels
- 15 minute delay timer with auto shut-off
- Strip LED illumination
- aluminium, dishwasher safe filter
- 3 Year Warranty on Canopy

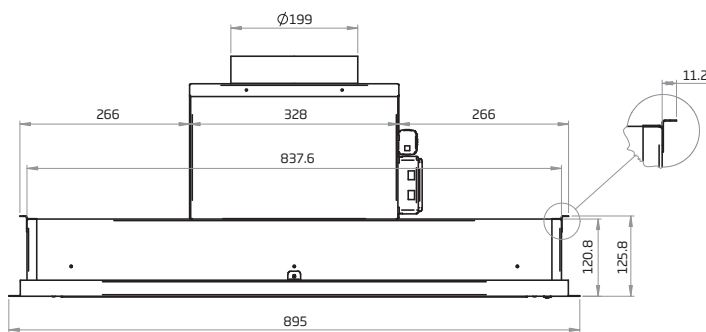
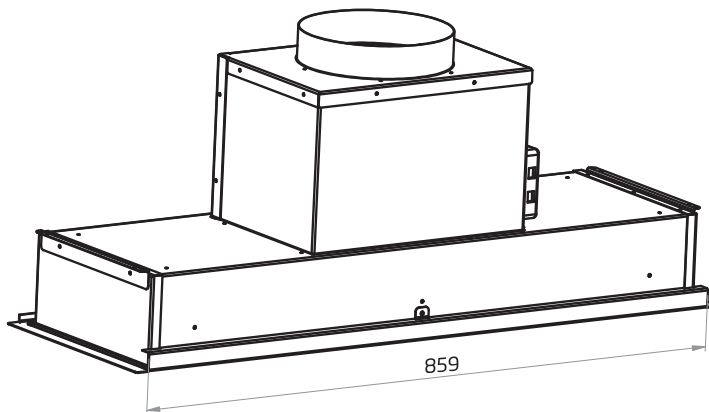
TECHNICAL DATA

UM-PA9S

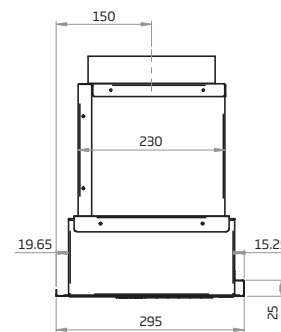
- dimensions: (W x D)
895 x 295 mm
- 1 x filter
- free ducting

MOTOR OPTIONS

- **S1** - single external motor
- 650 m³/h airflow
- 150mm flexi ducting (4m),
- install roof/wall/eaves
- **ST** - single external motor
- 900 m³/h airflow
- 200mm flexi ducting (6m)
- install roof/wall
- **SP** - single external motor
- 1600 m³/h airflow
- 200mm flexi ducting (6m)
- install roof/wall
- **10 Year Warranty on Motor**



FRONT



SIDE