

cooking collection

Instructions for use and warranty details

To register your warranty or make a warranty claim, scan this QR code:



Rangehood
Model: RHSOR61

 **kLEENmaid**

Dear Customer,

Thank you and congratulations for choosing Kleenmaid.

Your new appliance has been designed and meticulously tested to ensure that it meets all your culinary requirements, and has been carefully manufactured using top quality materials to give you years of reliable performance.

For best results, carefully read the instructions on how your new appliance is to be installed. Correct installation will avoid delays and unnecessary service call costs.

Once installation is complete, please read this user manual carefully and get to know the controls and the features of your new Kleenmaid appliance. These simple instructions will enable you to achieve excellent results from the very first time you use it.

Again, congratulations and thank you for choosing
The Best You Can Own.

KLEENMAID

CONTENTS

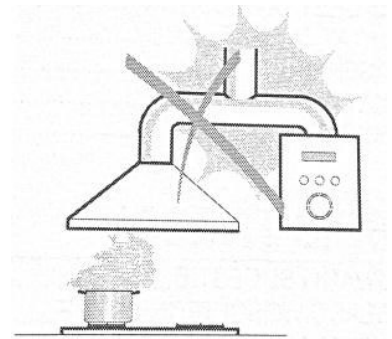
GENERAL SAFETY	3
COMPONENTS	4
DIMENSIONS	5
INSTALLATION	6
INSTRUCTIONS FOR USE	10
MAINTENANCE	10
TROUBLE SHOOTING	13
KLEENMAID WARRANTY	14

NOTE: Before making preparations for or commencing installation, the installer should refer to the current online version of the User Manual, which is available on the Kleenmaid website (see back cover for details).

GENERAL SAFETY

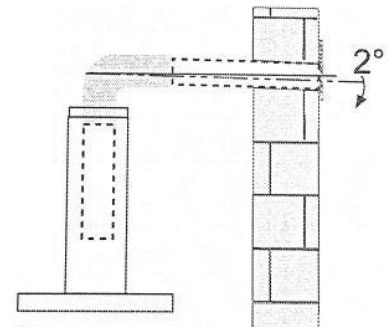
INSTALLATION

- The manufacturer will not be held liable for any damages resulting from incorrect or improper installation.
- The minimum distance between the supporting surface for the cooking vessels on the hob and the lowest part of the range hood. This distance shall be at least 65 cm. If the instructions for installation specify a smaller distance, this has to be taken into account. The distance of 65 cm can be reduced for: non-combustible parts of range hoods, except grease filters, and parts operating at safety extra low voltage, provided these parts do not give access to live parts if deformed.
- It is necessary to allow disconnection of the appliance from the supply after installation. The disconnection can be achieved by having the plug accessible or by incorporating a switch in the fixed wiring in accordance with the wiring rules.
- Check that the mains voltage corresponds to that indicated on the rating plate fixed to the inside of the hood.
- For Class I appliances, check that the domestic power supply guarantees adequate earthing.
- Connect the range hood to the exhaust flue through a pipe of minimum diameter 120mm. The route of the flue must be as short as possible.
- Do not connect the range hood to exhaust ducts carrying combustion flumes (boilers, fireplaces, etc.).
- If the range hood is used in conjunction with non-electrical appliances (e.g. gas burning appliances), a sufficient degree of aeration must be guaranteed in the room in order to prevent the backflow of exhaust gas. The kitchen must have an opening communicating directly with the open air in order to guarantee the entry of clean air. When the range hood is used in conjunction with appliances supplied with energy other than electric, the negative pressure in the room must not exceed 0,04 mbar to prevent fumes being drawn back into the room by the range hood.
- If the supply cord is damaged, it must be replaced by the manufacturer, its service agent or similarly qualified persons in order to avoid a hazard.
- Regulations concerning the discharge of air have to be fulfilled.
WARNING: Failure to install the screws or fixing device in accordance with these instructions may result in electrical hazards.



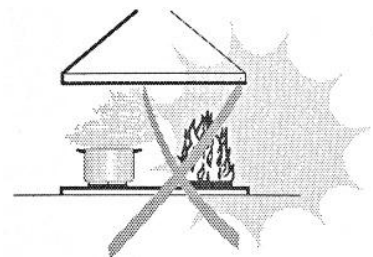
USE


- The range hood has been designed exclusively for domestic use to eliminate kitchen smells.
- Never use the hood for purposes other than for which it has been designed.
- Never leave high naked flames under the hood when it is in operation.
- Adjust the flame intensity to direct it onto the bottom of the pan only, making sure that it does not engulf the sides.
- Deep fat fryers must be continuously monitored during use: overheated oil can burst into flames.
- Do not flame under the range hood to avoid potential risk of fire.
- This appliance is not intended for use by persons (including children) with reduced physical, sensory or mental capabilities, or lack of experience and knowledge, unless they have been given supervision or instruction concerning use of the appliance by a person responsible for their well being.
- Children should be supervised to ensure that they do not play with the appliance.
- Cleaning and user maintenance should not be performed by children without supervision.
- CAUTION: Accessible parts may become hot when used with cooking appliances.
- Range hoods and other cooking fume extractors may adversely affect the safe operation of appliances burning gas or other fuels (including those in other rooms) due to back flow of combustion gases. These gases can potentially result in carbon monoxide poisoning. After installation of a range hood or other cooking fume extractor, the operation of flued gas appliances should be tested by a competent person to ensure that back flow of combustion gases does not occur.
- There shall be adequate ventilation of the room when the range hood is used at the same time as appliances burning gas or other fuels.



MAINTENANCE

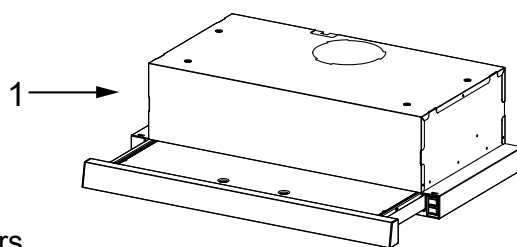
- Switch off or unplug the appliance from the mains supply before carrying out any maintenance work.
- Clean and/or replace the Filters after the specified time period (Fire hazard).
- Clean the rangehood using a damp cloth and a neutral liquid detergent.
- The appliance is suitable for use with a 4 burner cooktop.
- There is a fire risk if cleaning is not carried out in accordance with the instructions.



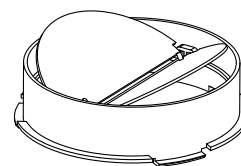
The symbol  on packaging indicates that this product may not be treated as household waste. Instead it should be handed over to the applicable collection point for the recycling of electrical and electronic equipment. By ensuring this product is disposed of correctly, you will help prevent potential negative consequences for the environment and human health, which could otherwise be caused by inappropriate waste handling of this product. For more detailed information about recycling of this product, please contact your local council office, your household waste disposal service or the shop where you purchased the product.

COMPONENTS

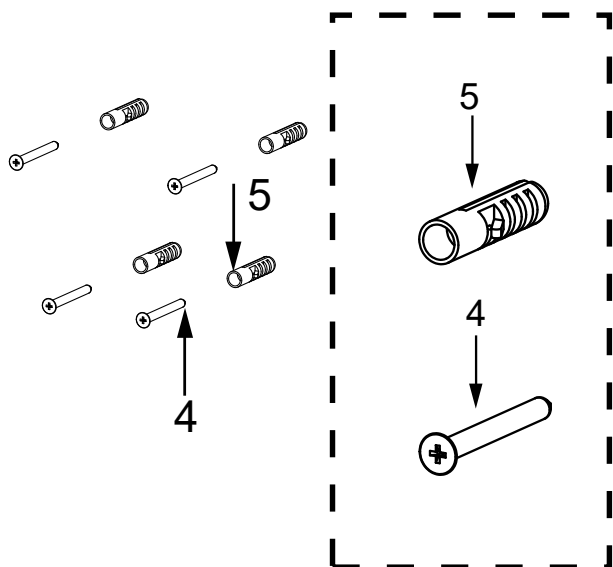
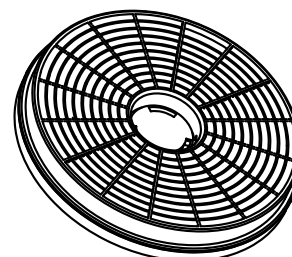
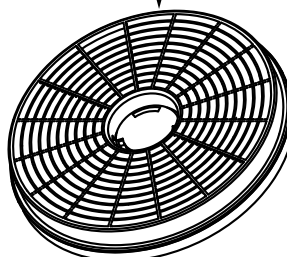
Ref.	Qty.	Product Components
1	1	Hood Body, complete with: Controls, Light, Blower, Filter.
2	1	Check valve
3	2	Kleenmaid KleenAir Activated Charcoal Filters
4	4	Screws 5 x 50
5	4	Wall Plugs



2



3



Note: There are specific accessories supplied with the rangehood which should be retained for installation and not discarded with packaging eg screws & wall plugs listed above.



WARNING: IT MUST BE ENSURED THAT THIS APPLIANCE IS CONNECTED ONLY TO A 230vac +10%/-6% 50Hz MAINS POWER SUPPLY WHICH CONTINUOUSLY COMPLIES WITH THE RELEVANT AUSTRALIAN STANDARD. FAILURE TO DO SO MAY SERIOUSLY DAMAGE THE APPLIANCE AND ANY SUCH DAMAGE IS NOT COVERED BY THE MANUFACTURER'S WARRANTY.



DIMENSIONS

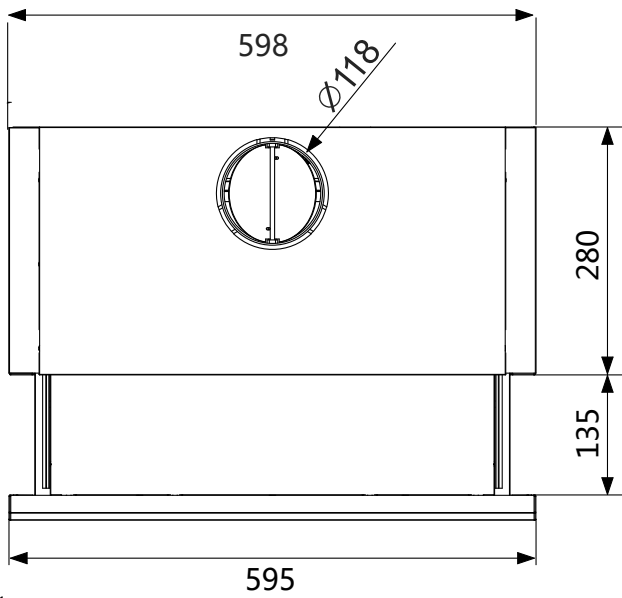


Fig 1.

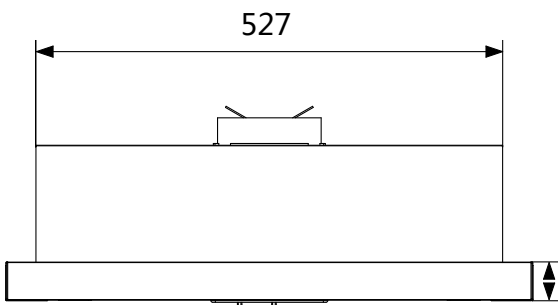
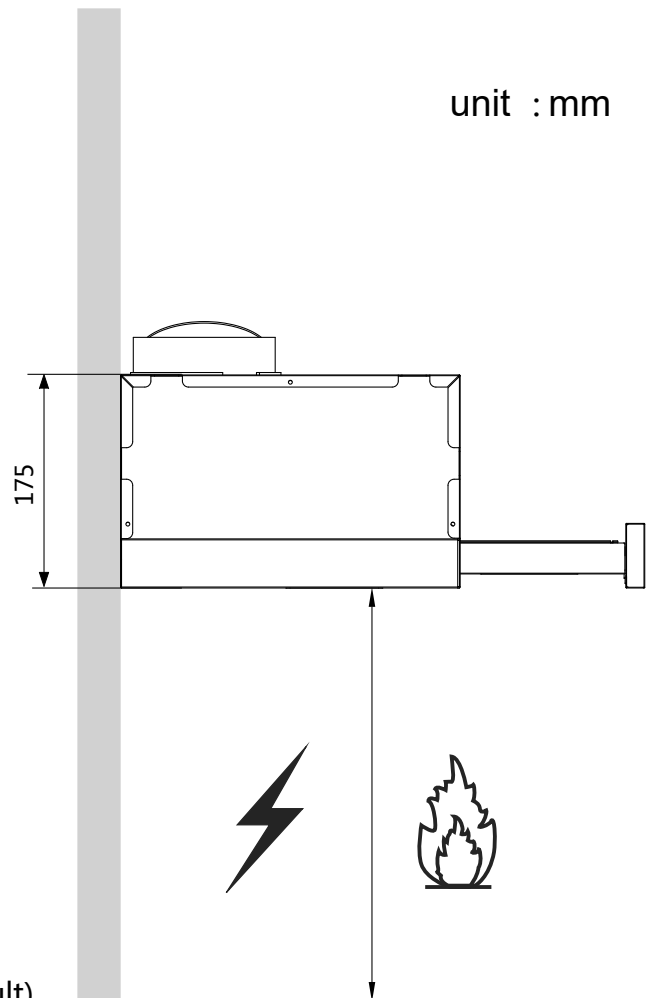


Fig 2.

43/80 (default)



unit : mm

The safety gap between the rangehood and the hob below must comply with the recommendations of the hob manufacturer. In case of no instructions, a minimum distance of 650mm (or other minimum distance as may be specified by AS/NZS 5601 and interpreted by a certified installer) should apply.

Fig 3.

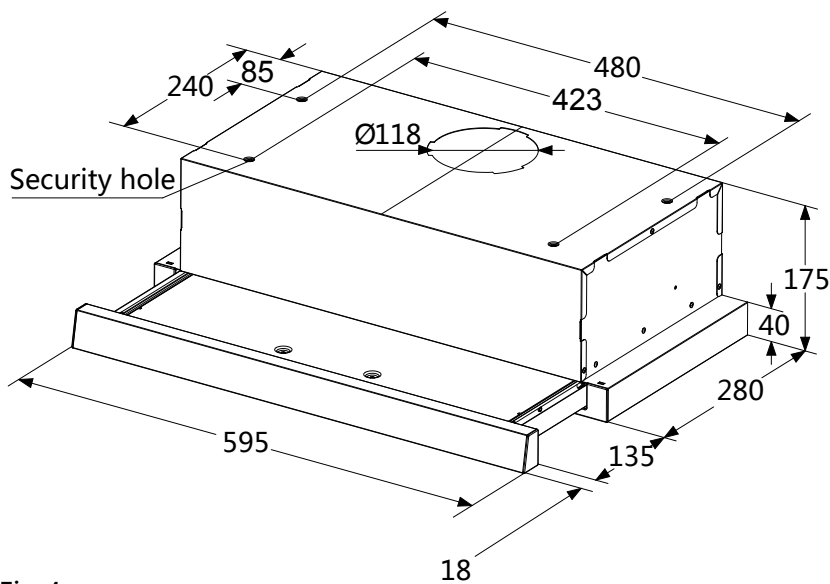
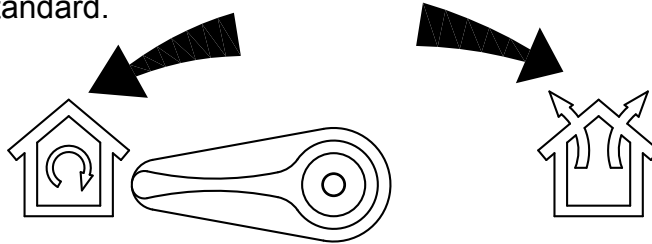


Fig 4.

INSTALLATION

Before making preparations for or commencing installation, the installer should refer to the current online version of the User Manual, which is available on the Kleenmaid website (see back cover for details).

This rangehood has the option of recirculated venting or outdoor ducting mode. Set the venting knob to the correct position for the chosen mode before installation. (See diagram below.) If installing as a recirculating rangehood, you must use the 80mm front fascia which is supplied as standard.



Venting knob position

	<p>Ducting mode: Turn the venting knob here to vent outside</p>
	<p>Recirculating mode: Turn the venting knob here to recirculate</p>

RECIRCULATING MODE

This mode is the default setting. The rangehood will operate with charcoal filters and vent the air back into the kitchen.

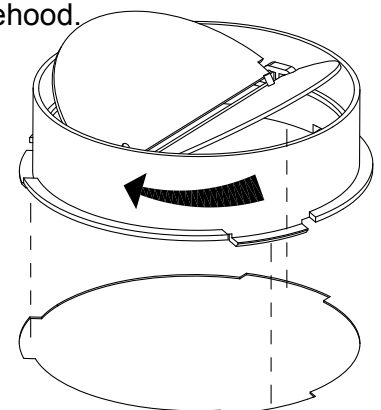
- A hole in the cabinetry above the air outlet should not be provided.
- Do not install the check valve.

DUCTING MODE

This is the recommended extraction mode for optimum performance. If it's possible to install an exhaust duct (not supplied) to vent the air outside and operate your rangehood in outdoor ducting mode, proceed as follows:

- Remove the charcoal filters which are not required for outdoor ducting mode.
- When installing the ducted version, connect the rangehood using rigid smooth surface ducting ϕ 120 (not supplied). The maximum recommended overall ducting path to the outside of the building (for 120mm diameter smooth-walled, rigid pipe only) is 10m, reduced by 2.5m for each 90° bend in the ducting path.
- Fix the pipe in position using sufficient pipe clamps (not supplied).
- Remove the 80mm fascia rail which is already installed on the rangehood. See page 7 for instructions.
- Using the same screws, attach the 40mm fascia rail supplied in the box. See page 7 for instructions.

Check valve installation - Align the check valve with the hole in top of the box, insert check valve then turn until the 3 tabs on the check valve are concealed.



FRONT FASCIA RAIL REPLACEMENT

Note: The rangehood must remain unplugged from the mains power during this procedure.

- Remove the grease filters (fig 1).
- Unscrew the two screws bottom of the plate (fig 2).
- Remove the switch panel (fig 3).
- Unscrew all of the five screws and pull up the front fascia (fig 4 and fig 5).
- Replace the other front fascia and apply reverse procedure for re-installation (fig 6).

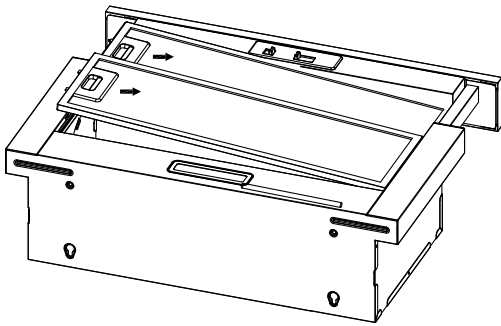


Fig 1

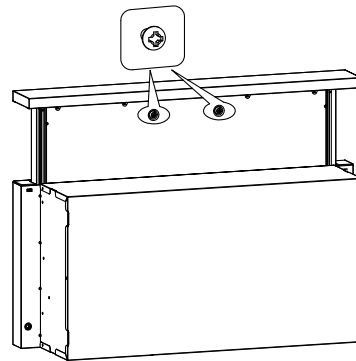


Fig 2

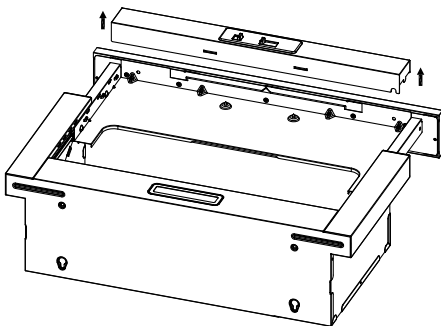


Fig 3

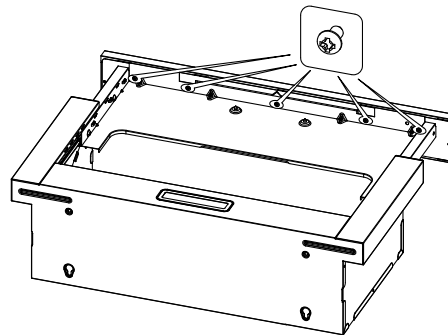


Fig 4

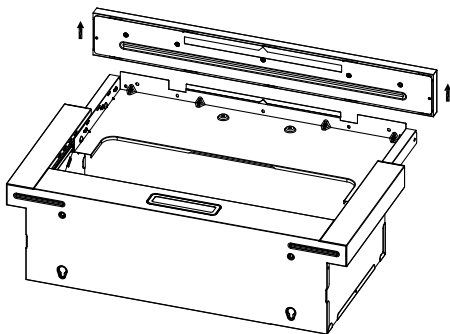


Fig 5

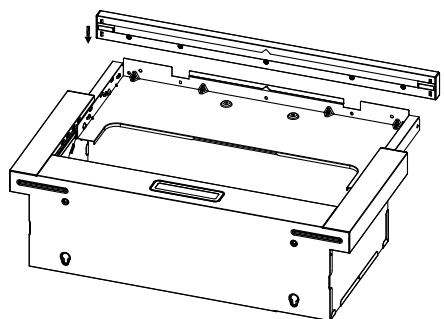
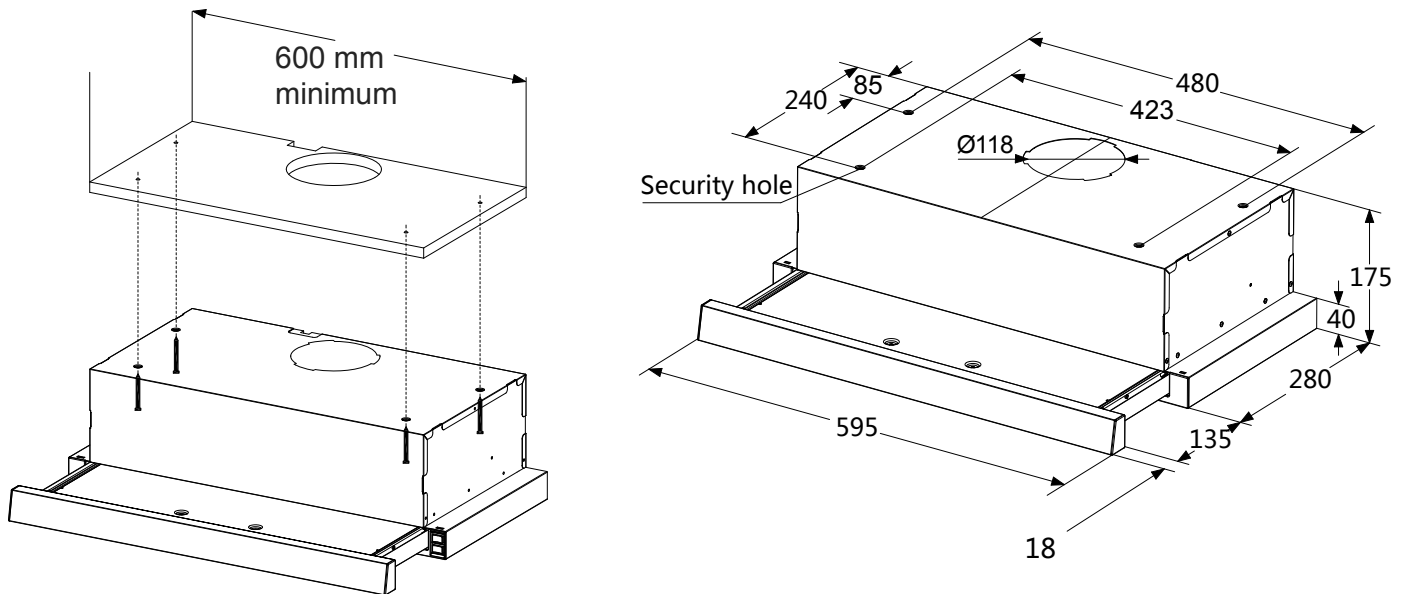


Fig 6

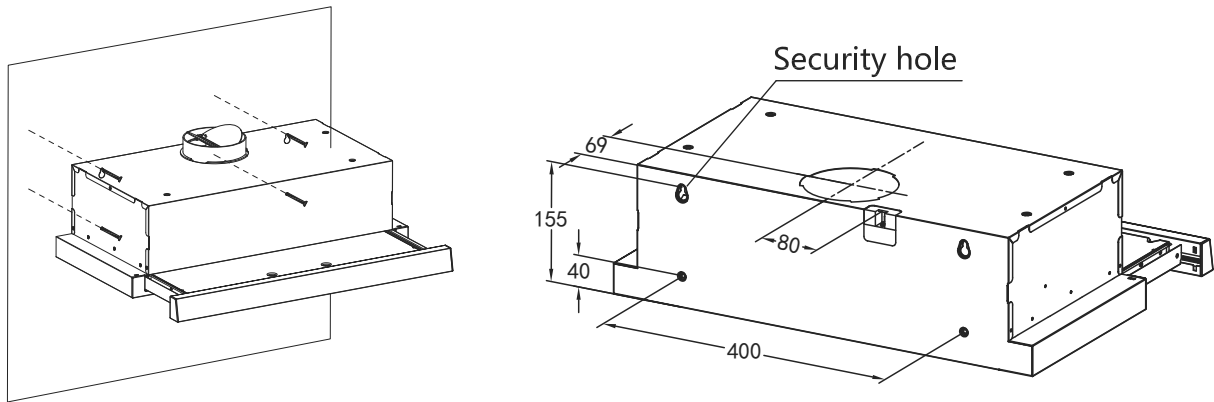
METHOD 1 - Cabinet Mounted



- Determine the final position of the hood and the alignment of the front faces of the hood and the cabinet. The safety gap between the rangehood and the hob below must comply with the recommendations of the hob manufacturer. In case of no instructions, a minimum distance of 650mm (or other minimum distance as may be specified by AS/NZS 5601 and interpreted by a certified installer) should apply.
- Mark and pre-drill the four (4) fixing screw holes into the cabinet above the range hood according to the diagram. These should line up with the 4 keyhole slots on the top of the range hood. Check that the holes are correctly located, by temporarily fitting the range hood into place and checking the alignment of the holes.
- On the cabinet, install 4 screws (not supplied) according to the relative position of the 4 key holes on the bottom of the hood. The 4 screws should be in the narrow parts of key holes. Check the alignment of the hood in the cabinet and tighten the screws firmly so that the hood is securely attached to the cabinet and doesn't move in any direction.

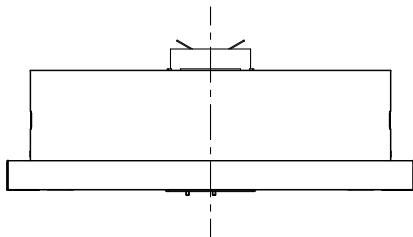


- **Warning**
When cutting or drilling into wall or ceiling, do not damage electrical wiring or other hidden utilities.

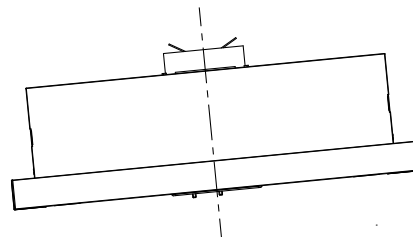


- As per the diagrams above determine the position of range hood on the wall. The safety gap between the rangehood and the hob below must comply with the recommendations of the hob manufacturer. In case of no instructions, a minimum distance of 650mm (or other minimum distance as may be specified by AS/NZS 5601 and interpreted by a certified installer) should apply.
- On the wall, install 2 screws (supplied) according to the relative position of 2 key holes on the back of hood.
- Gently tighten screws to allow completion of the installation.
- Also install screws in the security holes, and tighten all screws firmly so that the hood is securely attached to the cabinet and doesn't move in any direction.


Installation of hoods built in combi cabinets is the same as previous method.




Right



Wrong

 **WARNING:** Failure to install the screws or fixing device in accordance with these instructions may result in electrical hazards

 **WARNING:** The range hood must not be installed and connected to flues where other appliances are installed and which run off other non-electric energy sources (water heater, solid fuel & wood stoves etc).

INSTRUCTIONS FOR USE

Operation

Check the condition of the appliance before use:

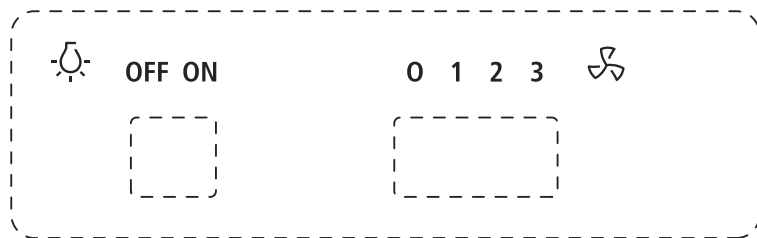
- Check that there are no visible defects.
- Check that all parts of the appliance have been securely fitted and installed.

Switching on/off

- Slide the front part of the rangehood out so controls are visible.
- Use the 3 speed slider control to select the motor extraction speed.
- Use the on/off switch for the lamp.

Motor Operation

- [0]=Off
- [1]=Low Power Setting
- [2]=Mid Power Setting
- [3]=High Power Setting



Light Operation

- [OFF] = Off
- [ON] = On

MAINTENANCE

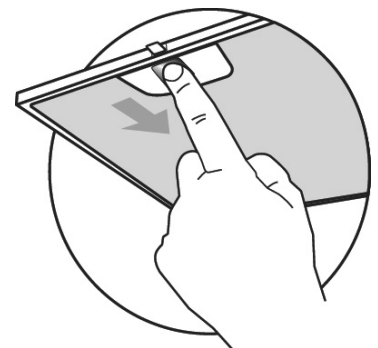
GREASE FILTERS

Your Kleenmaid rangehood has one or both of the following types of filters:

1. The visible aluminium grease filters which should be present on every rangehood.

CLEANING THE GREASE FILTERS

- These filters must be cleaned after every 2 months of operation, or more frequently for particularly heavy usage.
- Operate the latches on the grease filters and remove the filters one by one pushing them towards the back side of the hood unit and simultaneously pulling downwards.
- The filters may be cleaned either with a soft-bristled brush in warm soapy water, or in a dishwasher (without other items).
- Any kind of bending of the filters should be avoided when washing them. Before fitting them back into the rangehood make sure that they are completely dry. (The colour of the filter surface may change over time but this has no effect on filter efficiency).
- When fitting the filters into the rangehood make sure that they are mounted in the correct position with the handles facing outwards, and latched securely.
- There is a fire risk if cleaning is not carried out in accordance with the instructions.



Normally these filters will last the life of the rangehood, however if they are damaged in any way, replacements may be purchased by emailing support@kleenmaid.com.au or calling 02 9310 1207.

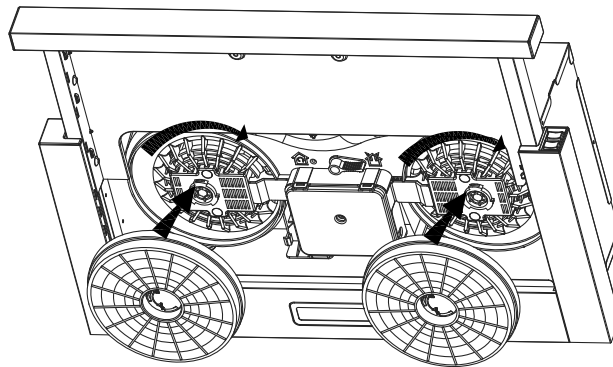
2. The internal Kleenmaid Activated Charcoal (or “Carbon”) Filters, which should be present on a rangehood which is installed in recirculating mode i.e. not vented outdoors.

These filters are located inside the rangehood and remove cooking odours from the air. They cannot be cleaned and will require replacement. The effective life of the filters depends on the type and amount of cooking you do. Generally the life of these filters is approximately six months. However, always replace these filters when they no longer absorb odours effectively.

When replacement Kleenmaid Activated Charcoal filters are required they may be purchased by visiting the Kleenmaid website www.kleenmaid.com.au, emailing support@kleenmaid.com.au or calling 02 9310 1207.

REPLACING THE ACTIVATED CHARCOAL FILTERS

- Remove the aluminium grease filters.
- Remove the saturated activated charcoal filters.
- Fit the new filters.
- Replace the aluminum grease filters.



Warning: It must be ensured that the filters are correctly installed whenever the rangehood is operating. Failure to do so may damage the rangehood, and such damage will not be covered by the manufacturer’s warranty.

Warning: Switch off or unplug the appliance from the mains supply before carrying out any maintenance work.

CLEANING THE RANGEHOOD

Clean the rangehood body regularly using a damp cloth and a neutral liquid detergent.

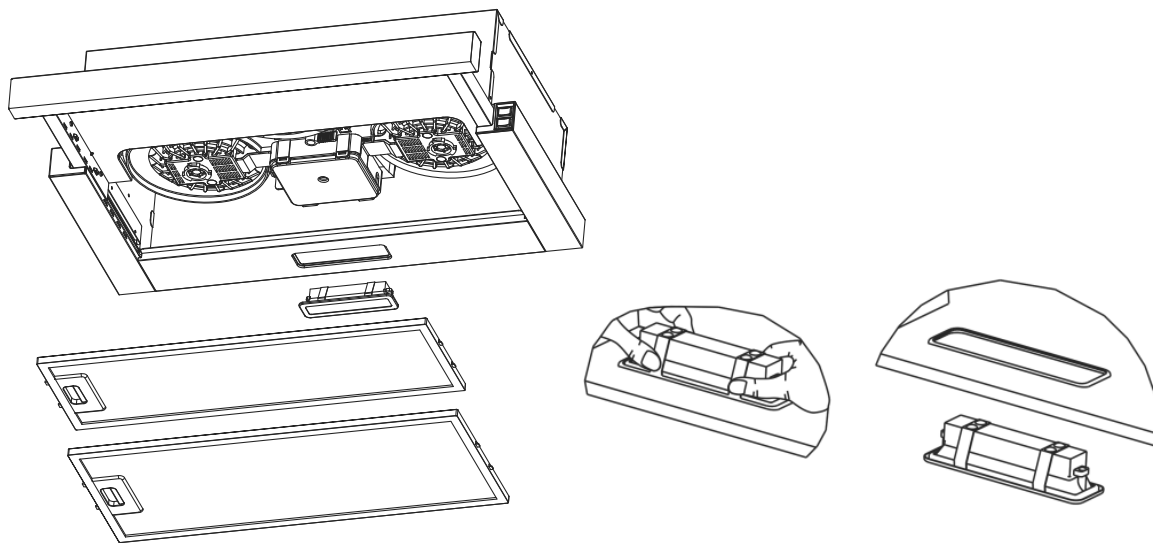
LIGHTING


LIGHT REPLACEMENT

Lighting inside the appliance is provided by a 1.5W LED light.

To replace the LED light, proceed as follows:

1. Disconnect the appliance from the mains or switch off the circuit breaker.
2. Remove the metal filters (see MAINTENANCE p10) .
3. Remove the light by levering its fitting from the hood body (this may require pressure or force to be applied) and disconnect the connector of the light.
4. Replace the light with a new one of the same type, making sure that you connect the light with the light cable correctly.
5. Install the metal filters back in place.



	Max power	Voltage	Picture	Lamp Cap	ILCOS D code
Self-ballasted LED modules	1.5W	220-240V	 Square/Diameter:33.2mmx120mm	/	DBS-1.5-H-33.2/120

TECHNICAL SPECIFICATIONS

Voltage	220-240V~ 50Hz
Rated Power	221.5W
Lighting Power	1.5W
Motor Power	210W
Diameter of air outlet	120mm
Air flow	Max 600m ³ /h (air flow meter)
Noise	56 dB(A) at Low Speed

The air flow parameter is tested under conditions of 230V~50Hz when the voltage is 220-240V~50Hz and without carbon filters.

DISPOSAL OF OLD ELECTRICAL APPLIANCES



Please dispose of old appliances at your local community waste collection / recycling center and ensure it presents no danger to children while being stored for disposal. The plug must be rendered useless and the cable cut off to prevent misuse.

TROUBLE SHOOTING

Fault	Possible Cause	Solution
Light on, but motor does not work	The capacitor is damaged.	Replace capacitor.
	The motor is damaged.	Replace motor.
	The internal wiring of motor is cut off/ disconnected. An unpleasant smell may be produced.	Replace motor.
Both light and motor do not work	Apart from the above mentioned, check the following:	
	Light damaged.	Replace lights.
	Power cord loose.	Connect the wires as per the electric diagram.
Oil leakage	Outlet and the air ventilation entrance are not tightly sealed.	Take down the outlet and seal with glue.
	Leakage from the connection of U-shaped section and cover.	Take U-shaped section down and seal with soap or paint.
Vibration	The blade, if damaged, can cause vibrating.	Replace the blade.
	The motor is not tightly fastened.	Fasten the motor tightly.
	The range hood is not tightly fixed.	Attach the range hood tightly.
Insufficient suction	The distance between the range hood and the cooktop is too large.	Readjust the distance.
	Too much ventilation from open doors or windows.	Choose a new place to install the appliance or close some doors / windows.
The machine inclines	The fixing screws are not tight enough.	Tighten the fixing screw and make it horizontal.
	The hanging screws are not tight enough	Tighten the hanging screw and make it horizontal.

If the appliance fails to operate correctly during the warranty period please visit our website to request a warranty service (see back cover of this manual for details). When booking a service please provide your Model No.: RHSOR61 and the individual Serial Number of your appliance which is found on the rating plate, visible inside the rangehood when the grease filter is removed. See instructions for removing the grease filter on page 10 of this manual. Ensure power to the appliance is turned off before commencing. .

KLEENMAID WARRANTY

TERMS AND CONDITIONS

1. Compass Capital Services Pty Ltd ABN 96 138 214 525 trading as Kleenmaid will provide parts and labour to you the customer as set out herein.
2. Kleenmaid may engage a Service Agent to provide service under this warranty.
3. Kleenmaid's Products come with guarantees that cannot be excluded under the Australian Consumer Law. You are entitled to a replacement or refund for a major failure and for compensation for any other reasonably foreseeable loss or damage. You are also entitled to have the goods repaired or replaced if the goods fail to be of acceptable quality and the failure does not amount to a major failure.
4. The benefits given to you under this Kleenmaid Warranty are in addition to other rights and remedies to which you may be entitled under the Australian Consumer Law in relation to the Product to which this Kleenmaid Warranty relates. Subject to the conditions below, the Product is warranted by Kleenmaid and/or its agents to be free from defects in materials and workmanship for the Warranty Period for normal Domestic Use.
5. Product Identification: -
 - a. Kleenmaid reserves the right to reject claims for any services or work where you cannot produce for verification the serial number and a proof of purchase for the Product (including but not limited to the original invoice).
 - b. this Kleenmaid Warranty will be voided if the serial number for the Product cannot be verified. This is not intended to exclude, restrict or modify any right or remedy to which you may otherwise be entitled under the consumer guarantee provisions of the Australian Consumer Law.
 - c. in the event that a request for repair is made against this Kleenmaid Warranty where the serial number for the Product cannot be verified or you cannot produce for verification a proof of purchase for the Product (including but not limited to the original invoice), the repairer will not carry out any repairs on the Product and you will be charged a service call-out fee.
6. What is covered by this Kleenmaid Warranty: -
 - a. the Product is covered for faulty workmanship or parts that have failed under normal Domestic Use.
 - b. Kleenmaid and/or its agents will determine by objective testing if there are any defects in the Product and/or faulty workmanship.
 - c. this Kleenmaid Warranty is only applicable if repairs on Products are carried out within Mainland Australia.
 - d. this Kleenmaid Warranty: -
 - i. covers a Product purchased as new, manufactured for use in Mainland Australia;
 - ii. commences from the date of delivery of the Product;
 - iii. provides for the labour and replacement parts necessary to maintain the Product in good operating condition as specified in this Kleenmaid Warranty, however, if repair is needed because of Product failure during normal Domestic Use, Kleenmaid has the option to repair or replace the defective Product or part of the Product with a product or part of like kind and quality. A replacement part may be new or reconditioned of like kind and quality and may cost less than the original Product purchased and no charges or refunds will be made based on the replacement product or part cost difference; and
 - iv. is only applicable when the Product is used and operated in accordance with the Manufacturer's instructions.
7. What is not Covered by this Kleenmaid Warranty (excluded):-
 - a. any damage or failure to or of the Product or part of the Product:
 - i. due to the Product being inadequately serviced to manufacturer's recommendations;
 - ii. resulting from environmental conditions including and not limited to dirt, dust, rodents, insects, rust, corrosion, salt built-up, or of in any part of the Product;
 - iii. resulting from excessive use but fair wear and tear is excepted;
 - iv. resulting from installation by an unqualified or uncertified tradesperson;
 - v. resulting from poor or incorrect installation including and not limited to positioning and externally fitted equipment such as plumbing and drainage, cabling, antennae or due to incompatibility of connected equipment;
 - vi. caused by overheating as a result of sitting or positioning of the Product, where there is no provision for adequate ventilation or adequate protection from excessive dust;
 - vii. if the Product has been dismantled, repaired or serviced by any person other than someone authorised by Kleenmaid or its agents or representatives;
 - viii. caused by power surges or spikes, including and not limited to, mains power and telecommunications connections, or to other unspecified sources, incorrect power current, voltage fluctuation, amperage fluctuation, rust or corrosion;
 - ix. if the Product is dropped, collision of the Product with another object, use for which the Product is not designed, damage to the Product caused by your own negligence, accidental or deliberate misuse of the Product by you, theft, abuse, vandalism, flood, fire, earthquake, electrical storms or any other act of God or any war related events; or
 - x. due to the introduction of abnormal heat loads to the Product;
 - b. costs of attendance and testing where no fault or defect covered by the terms of this Kleenmaid Warranty is identified in the Product;
 - c. initial setup and installation of the Product;
 - d. normal maintenance costs and costs incurred through the installation of items listed as requiring periodic replacement;
 - e. Products with removed or altered serial numbers;
 - f. broken or cracked glass other than transport damage to the initial point of delivery;
 - g. consumables such as but not limited to bulbs/globes, seals, filters, batteries and remote controls;
 - h. removal and reinstallation of an internal component not performed by an authorised Kleenmaid agent or representative or authorised service centre;
 - i. cosmetic or structural items; or
 - j. any failures due to interference from or with other products and/or sources.
8. This Kleenmaid Warranty ceases if: -
 - a. the Product ceases to carry the original manufacturer's serial number or is sold at an auction;
 - b. the Product is rented; or
 - c. there is failure to pay monies owing on invoices as a result of non-warranty work being carried out at the request of the end user as per point 16 below.

9. Service under this warranty may be limited by the area in which you live. Service to remote and regional areas may incur additional travel costs which will be payable by you. You will be advised of this at the time you make a claim and Kleenmaid arranges to attend your premises.
10. Neither Kleenmaid nor its representatives provide loan equipment under the terms of this Kleenmaid Warranty.
11. Any unauthorised access to the internal hardware of the Product will void this Kleenmaid Warranty.
12. Repair Notice: Products presented for repair may be replaced by refurbished Products of the same type rather than being repaired. Refurbished parts may be used to repair the Products.
13. Replacement items are "like for like" and is not "new for old" and does not indicate in any way that a faulty Product will be replaced with a new part or unit. "Like for like" may either be a quality checked, refurbished or reconditioned unit of the same or later batch of model/size/specifications
14. The cost of making a claim under this Kleenmaid Warranty is not covered by Kleenmaid, including any costs of transportation or travel expenses between your home and your nearest authorised service agent.
15. Kleenmaid accepts no liability for items that are lost, damaged, or stolen as a result of freight, transport or storage. If you are required to transport the Product to an authorised service centre, you must ensure that it is securely packed and insured.
16. On Public Holidays or other periods when regular business and wholesale operations are temporarily ceased, repairer availability and warranty response times may extend beyond the standard response times due to the unavailability of repairers and parts.
17. For any repair performed on a Product under this Kleenmaid Warranty where no fault can be found, or the item is deemed by Kleenmaid or an authorised agent, to be not faulty under this Kleenmaid Warranty, or the repair or fault is not covered under this Kleenmaid Warranty, a 'No Fault Found' fee is payable by you. Kleenmaid will advise you of this cost and seek your agreement to pay such costs before commencing such repairs.
18. Any repairs or services required that are outside the terms and conditions of this Kleenmaid Warranty can be carried out at your request at your cost (including where the Product has not been installed or set up correctly). Kleenmaid will always advise you of this cost and seek your agreement to pay such costs before commencing such repairs. A credit card may be required prior to the commencement of such services.
19. Extra charges will be payable by the customer should the Product not be readily accessible without special equipment, such as but not limited to cranes and lifts or should the Product be installed in a position that service access is blocked and/or repair work is not possible without uninstalling the Product to gain access.
20. You, the customer, may be entitled to purchase an extended warranty in respect of the Product. Any extended warranty will not be issued by Kleenmaid but by a third party. Any extended warranty services will be provided directly by the third party as principal and not as agent for Kleenmaid, under their extended warranty terms and conditions and not under this Kleenmaid Warranty.
21. To make a claim under this Kleenmaid Warranty, please have your proof of purchase and the serial number of the Product ready and call (02) 9310 1207 during business hours.
22. This Kleenmaid Warranty is given by:
 Name: Compass Capital Services Pty Ltd ABN 96 138 214 525 trading as Kleenmaid
 Business address: Level 2, Suite 3, 204 Botany Rd, Alexandria NSW Australia 2015
 Telephone: (02) 9310 1207
23. Definitions:
 - a. **Australian Consumer Law** means the *Competition and Consumer Act 2010* (Cth).
 - b. **Domestic Use** means use of the Product for personal, domestic or household purposes.
 - c. **Kleenmaid** means Compass Capital Services Pty Ltd ABN 96 138 214 525 trading as Kleenmaid.
 - d. **Mainland Australia** means the following States and Territories of Australia: New South Wales, Victoria, South Australia, Western Australia, Queensland, Tasmania, Northern Territory, Australian Capital Territory.
 - e. **Product** means the appliance sold by Kleenmaid to you as evidenced by the original purchase invoice.
 - f. **Service Agent** means any independent service agent engaged by Kleenmaid to carry out any repair or service under this warranty.
 - g. **Warranty Period** means for domestic use and for Products purchased on or after 1 January 2019 the period of 60 months, otherwise 36 months. For non-domestic use 12 months or such alternative period as may be specified.

UPDATE NOTICE: This Kleenmaid Warranty is current as at 1 December 2022 but is subject to variation from time to time. For the latest version of the Kleenmaid Warranty, please see our website <https://kleenmaid.com.au/warranty/> or phone us on (02) 9310 1207.

Other products available in the Kleenmaid range of appliances

- | Washing machines
- | Clothes dryers
- | Dishwashers
- | Ovens
- | Cooktops
- | Steam ovens
- | Microwave ovens
- | Built in espresso coffee machines
- | Rangehoods
- | Freestanding ovens
- | Refrigerators & Freezers
- | Beverage Serving Cabinets
- | Water Dispensers
- | Vacuum Cleaners

To register your warranty or make a warranty claim, scan this QR code:



Compass Capital Services Pty Limited
trading as Kleenmaid
ABN 96138214525

Level 2, 204 Botany Road Alexandria
NSW 2015



Register your Kleenmaid
Appliances Warranty
www.kleenmaidwarranty.com.au



Request a Warranty Service
www.kleenmaidwarranty.com.au

E: warranty@kleenmaid.com.au

Please download the current User Manual for this
appliance at www.kleenmaid.com.au

 **kleenmaid**