

cooking collection

Instructions for use and warranty details

To register your warranty or make a warranty claim, scan this QR code:



Rangehood
Model No.: RHSOG61_RHSOG91

 **kLEENmaid**

Dear Customer,

Thank you and congratulations for choosing Kleenmaid.

Your new appliance has been designed and meticulously tested to ensure that it meets all your culinary requirements, and has been carefully manufactured using top quality materials to give you years of reliable performance.

For best results, carefully read the instructions on how your new appliance is to be installed. Correct installation will avoid delays and unnecessary service call costs.

Once installation is complete, please read this instruction manual carefully and get to know the controls and the features of your new Kleenmaid appliance. These simple instructions will enable you to achieve excellent results from the very first time you use it.

Again, congratulations and thank you for choosing The Best You Can Own.

KLEENMAID

Instructions for mounting and use

Closely follow the instructions set out in this manual. All responsibility, for any eventual inconveniences, damages or fires caused by not complying with the instructions in this manual, is declined. This appliance is intended to be used in household and similar application such as: staff kitchen areas in shop, offices and other working environments,;farm houses,; by clients in hotels, motels and other residential type environments and;bed and breakfast type environments.

Note: The parts marked with the symbol "*" are optional accessories supplied only with some models or otherwise not supplied, but available for purchase.


Caution

- Before any cleaning or maintenance operation, disconnect the rangehood from the mains by removing the plug or disconnecting the mains electrical supply.
 - Always wear work gloves for all installation and maintenance operations.
 - This appliance is not intended for use by persons (including children) with reduced physical, sensory or mental capabilities, or lack of experience and knowledge, unless they have been given supervision or instruction concerning use of the appliance by a person responsible for their well being.
 - Children should be supervised to ensure that they do not play with the appliance.
 - Cleaning and user maintenance should not be performed by children without supervision.
 - There shall be adequate ventilation of the room when the rangehood is used at the same time as appliances burning gas or other fuels.
 - The rangehood must be regularly cleaned on both the inside and outside (AT LEAST ONCE A MONTH).
 - This must be completed in accordance with the maintenance instructions provided. Failure to follow the instructions provided regarding the cleaning of the rangehood and filters will lead to the risk of fires.
 - If the supply cord is damaged, it must be replaced by the manufacturer, its service agent or similarly qualified persons in order to avoid a hazard.
- Do not flambé under the rangehood.
 - For lamp replacement follow the instructions in the Maintenance/Replacing lamps section of this manual (page 13).
 - The use of exposed flames is detrimental to the filters and may cause a fire risk, and must therefore be avoided in all circumstances.
 - Any frying must be done with care in order to make sure that the oil does not overheat and ignite.
 - **CAUTION:** Accessible parts of the rangehood may become hot when used with cooking appliances.
 - Do not connect the appliance to the mains until the installation is fully complete.
 - With regards to the technical and safety measures to be adopted for fume discharging it is important to closely follow the regulations provided by the local authorities.
 - The air must not be discharged into a flue that is used for exhausting fumes from appliance burning gas or other fuels.
 - Do not use or leave the rangehood without the lamp correctly mounted due to the possible risk of electric shocks.
 - Never use the rangehood without effectively mounted grids.
 - The rangehood must NEVER be used as a support surface unless specifically indicated.
 - Use only the fixing screws supplied with the product for installation or, if not supplied, purchase the correct screws type.
 - Use the correct length for the screws which are identified in the Installation Guide.
 - In case of doubt, consult an authorised service assistance center or similar qualified person.

WARNING!

- Failure to install the screws or fixing device in accordance with these instructions may result in electrical hazards.
- Do not use with a programmer, timer, separate remote control system or any other device that switches on automatically.
- This appliance is marked according to the European directive 2012/19/EC on Waste Electrical and Electronic Equipment (WEEE).
- By ensuring this product is disposed of correctly, you will help prevent potential negative consequences for the environment and human health, which could otherwise be caused by inappropriate waste handling of this product.



- The symbol  on the product, or on the documents accompanying the product, indicates that this appliance may not be treated as household waste. Instead it should be taken to the appropriate collection point for the recycling of electrical and electronic equipment. Disposal must be carried out in accordance with local environmental regulations for waste disposal.
- For further detailed information regarding the process, collection and recycling of this product, please contact the appropriate department of your local authorities or the local department for household waste or the shop where you purchased this product.

Appliance designed, tested and manufactured according to:

- Safety: EN/IEC 60335-1; EN/IEC 60335-2-31, EN/IEC 62233.
- Performance: EN/IEC 61591; ISO 5167-1; ISO 5167-3; ISO 5168; EN/IEC 60704-1; EN/IEC 60704-2-13; EN/IEC 60704-3; ISO 3741; EN 50564; IEC 62301.
- EMC: EN 55014-1; CISPR 14-1; EN 55014-2; CISPR 14-2; EN/IEC 61000-3-2; EN/IEC 61000-3-3.

Suggestions for correct use in order to reduce the environmental impact:

- Switch ON the rangehood at minimum speed when you start cooking and keep it running for few minutes after cooking is finished. Increase the speed only in case of a large amount of smoke and vapor and use boost speed(s) only in extreme situations.
- Replace the charcoal filter when necessary to maintain a good odour reduction efficiency.
- Clean the grease filter(s) when necessary to maintain a good grease filter efficiency.
- Use the maximum diameter of the ducting system indicated in this manual to optimize efficiency and minimize noise.

▲ WARNING!

Before re-connecting the rangehood circuit to the mains supply and checking the efficient functioning of the rangehood, always check that the mains cable is correctly assembled.

Installation

NOTE: Before making preparations for or commencing installation, the installer should refer to the current online version of the User Manual, which is available on the Kleenmaid website (see back cover for details).

The rangehood is designed to be used either for exhausting or filter version.



Ducting version

In this case the fumes are conveyed outside of the building by means of a special pipe connected with the connection ring located on top of the rangehood.

Attention! The exhaust pipe is not supplied and must be purchased separately.

Diameter of the exhaust pipe must be equal to that of the connection ring.

In the horizontal runs the exhaust pipe must be slightly slanted (about 10°) and directed upwards to vent the air easily from the room to the outside.

Attention! If the rangehood is supplied with active charcoal filter, then it must be removed.

Connect the rangehood and discharge holes on the walls with a diameter equivalent to the air outlet (connection flange). Using the tubes and discharge holes on walls with smaller dimensions will cause a diminution of the suction performance and a drastic increase in noise.

Any responsibility in the matter is therefore declined.

! Use a duct of the minimum indispensable length.

! Use a duct with as few elbows as possible (maximum elbow angle: 90°).

! Avoid drastic changes in the duct cross-section.

! Use a duct which is as smooth as possible inside.

! The duct must be made of certified material.



Filter version

One active charcoal filter is needed for this model and can be obtained from Kleenmaid. See details on page 13.

The filter removes the grease and odours from the extracted air before sending it back into the room through the upper outlet grid.

Installation

The safety gap between the rangehood and the hob below must comply with the recommendations of the hob manufacturer. In case of no instructions, a minimum distance of 650mm (or other minimum distance as may be specified by AS/NZS 5601 and interpreted by a certified installer) should apply.

Regulations concerning the discharge of air must be fulfilled.

Technical Information

Power Supply: 220-240V 50-60Hz

Total Absorbed Power: 120W

Motor: 115W Lights: 2x2.5W



Electrical connection

The mains power supply must correspond to the rating

indicated on the plate situated inside the rangehood. If provided with a plug connect the rangehood to a socket in compliance with current regulations and positioned in an accessible area, after installation. If it is not fitted with a plug (direct mains connection) or if the plug is not located in an accessible area, after installation, apply a double pole switch in accordance with standards which assures the complete disconnection of the mains under conditions relating to over-current category III, in accordance with wiring rules.

Warning! Before re-connecting the rangehood circuit to the mains supply and checking the efficient functioning of the rangehood, always check that the mains cable is correctly assembled.

Mounting

Before beginning installation:

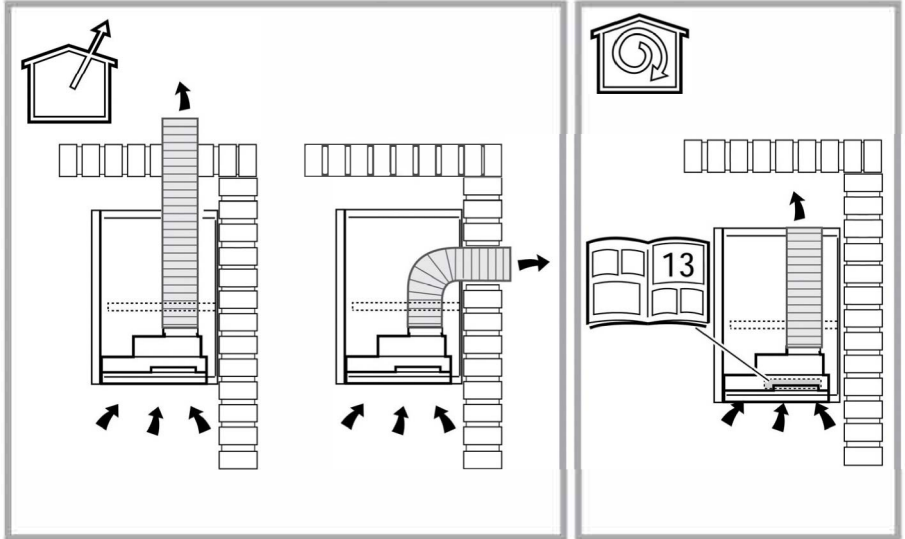
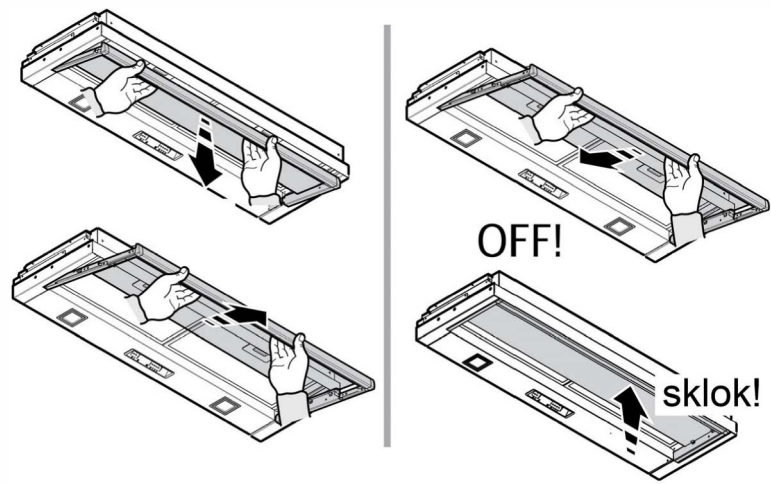
- Check that the product purchased is of a suitable size for the chosen installation area.
- Remove the charcoal (*) filter if supplied (see also relative paragraph). This is to be mounted only if you want to use the rangehood in the filtering version.
- Check (for transport reasons) that there is no other supplied material inside the rangehood (e.g. packets with screws (*), guarantees (*), etc.). If so, remove and keep them.
- If possible, disconnect and move freestanding or slide-in range from cabinet opening to provide easier access to rear wall/ceiling. Otherwise put a thick, protective covering over countertop, cooktop or range to protect from damage and debris. Select a flat surface for assembling the unit. Cover that surface with a protective covering and place all canopy rangehood parts and hardware on it.
- In addition check whether an electric socket is available near the installation area of the rangehood and it is possible to connect a fumes discharge device to the outside (only suction version).
- Carry out all the masonry work necessary (e.g. installation of an electric socket and/or a hole for the passage of the discharge tube).

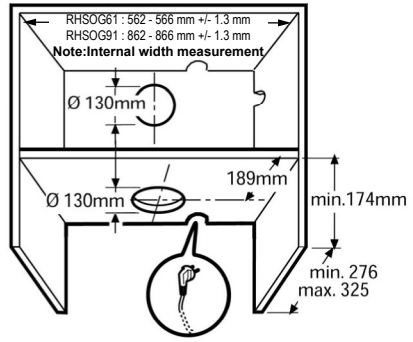
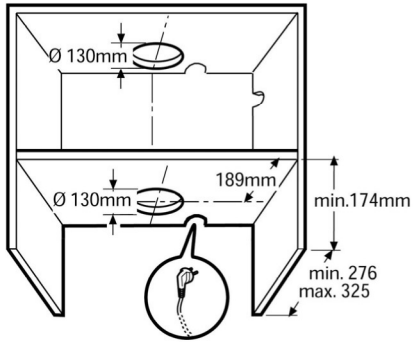
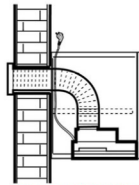
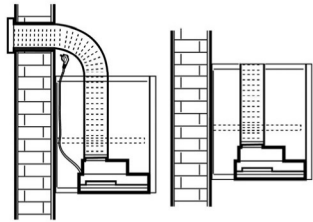
Expansion wall plugs are provided to secure the rangehood to most types of walls/ceilings. However, a qualified technician must verify suitability of the materials in accordance with the type of wall/ceiling. The wall/ceiling must be strong enough to take the weight of the rangehood. **Do not tile, grout or silicone this appliance to the wall. Surface mounting only.** This rangehood is designed for fitting in a cabinet or on some other support.



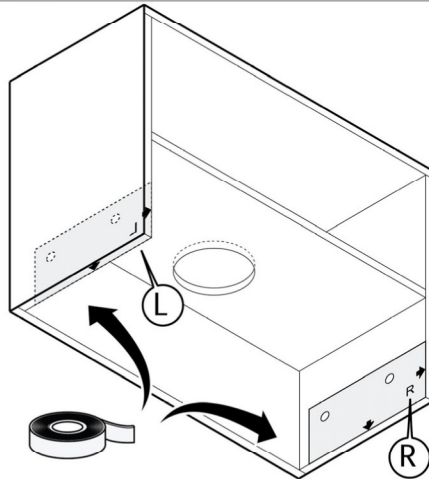
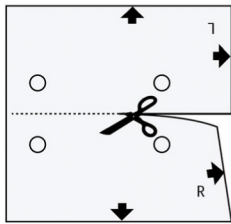
WARNING: IT MUST BE ENSURED THAT THIS APPLIANCE IS CONNECTED ONLY TO A 230VAC +10%/-6% 50Hz MAINS POWER SUPPLY WHICH CONTINUOUSLY COMPLIES WITH THE RELEVANT AUSTRALIAN STANDARD. FAILURE TO DO SO MAY SERIOUSLY DAMAGE THE APPLIANCE AND ANY SUCH DAMAGE IS NOT COVERED BY THE MANUFACTURER'S WARRANTY.



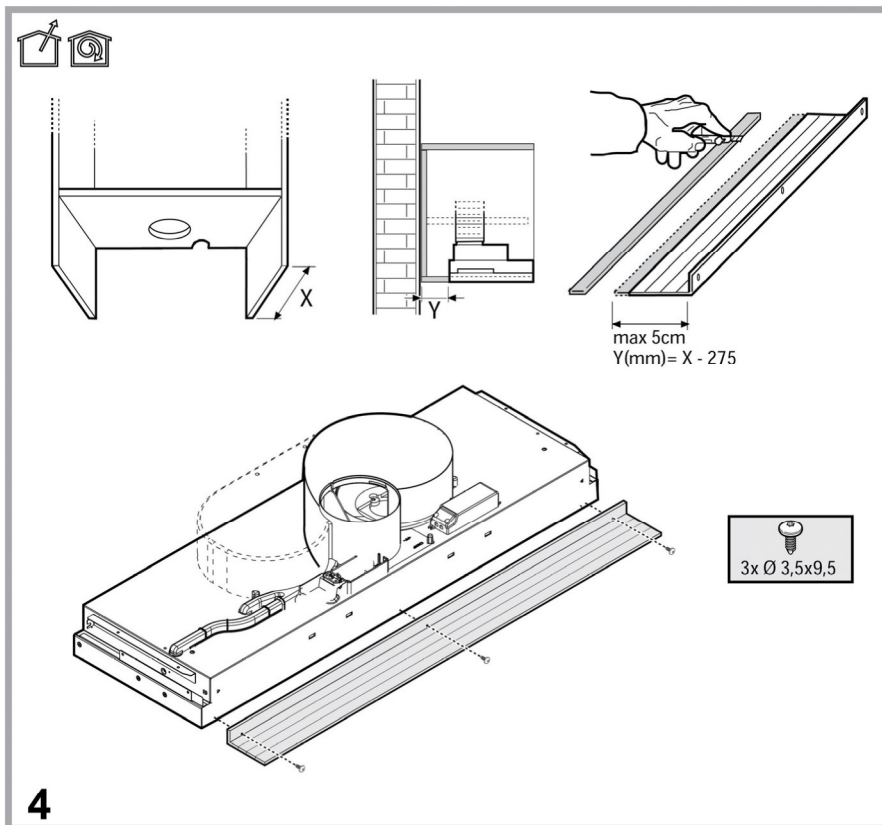
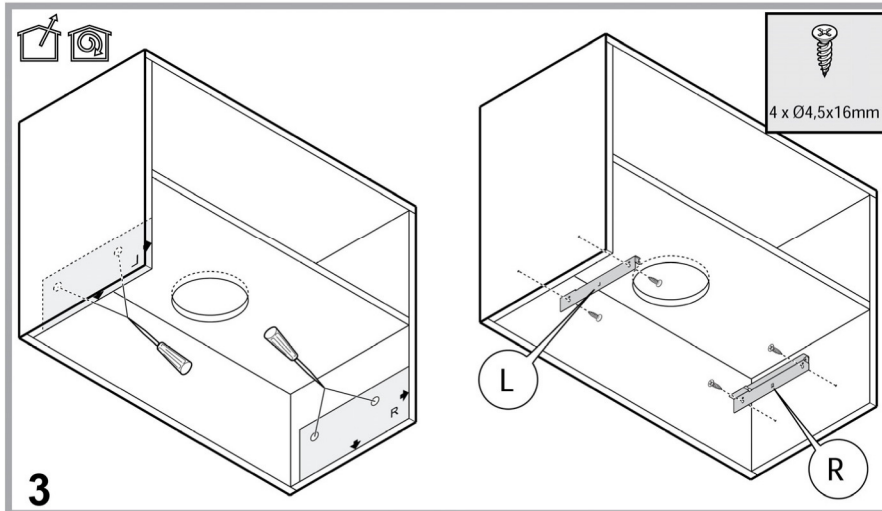


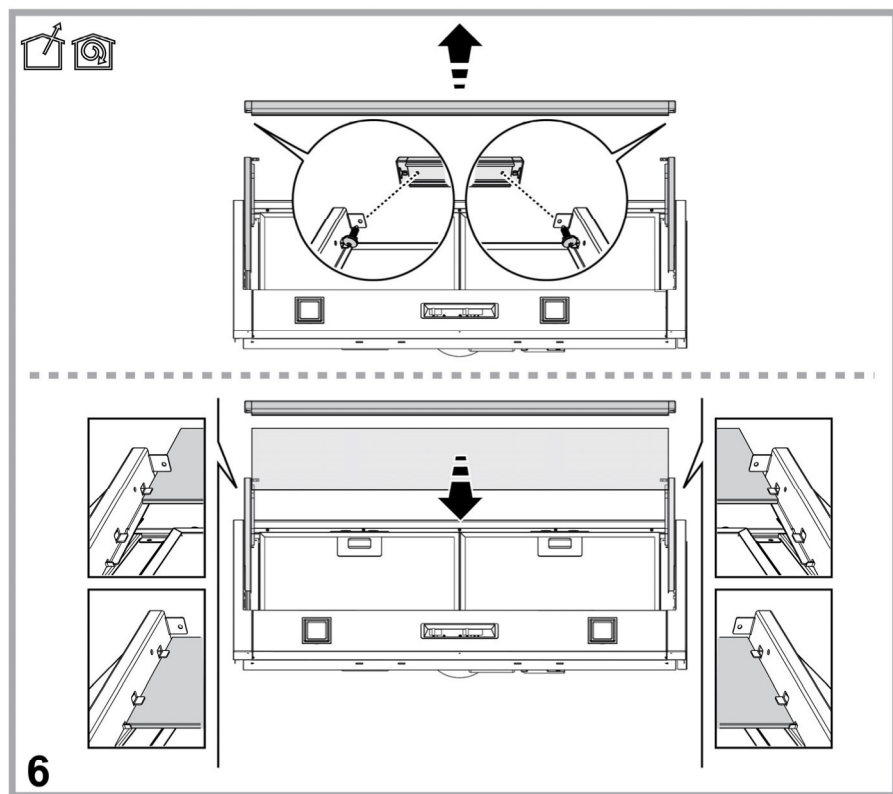
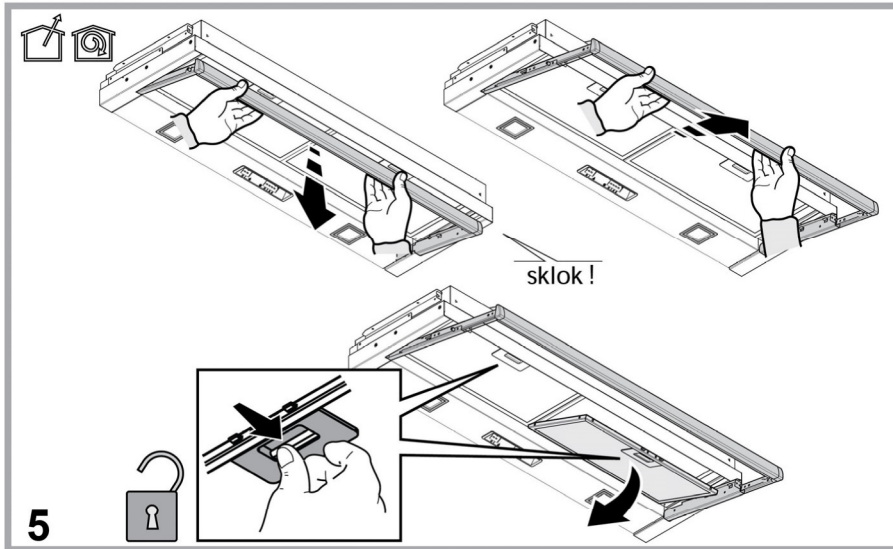


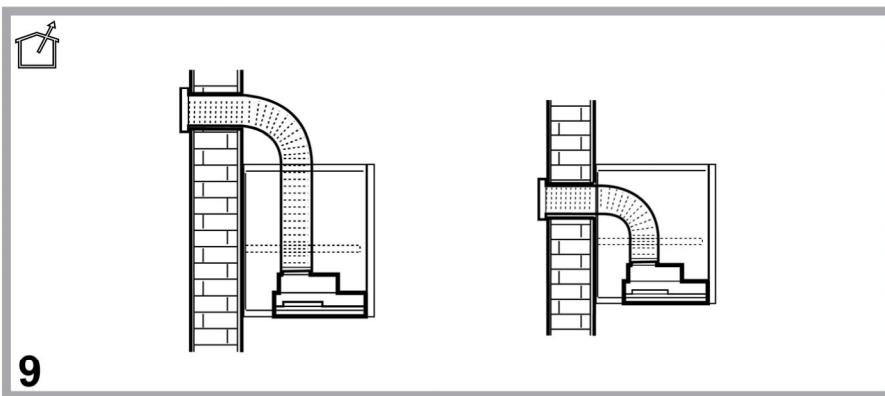
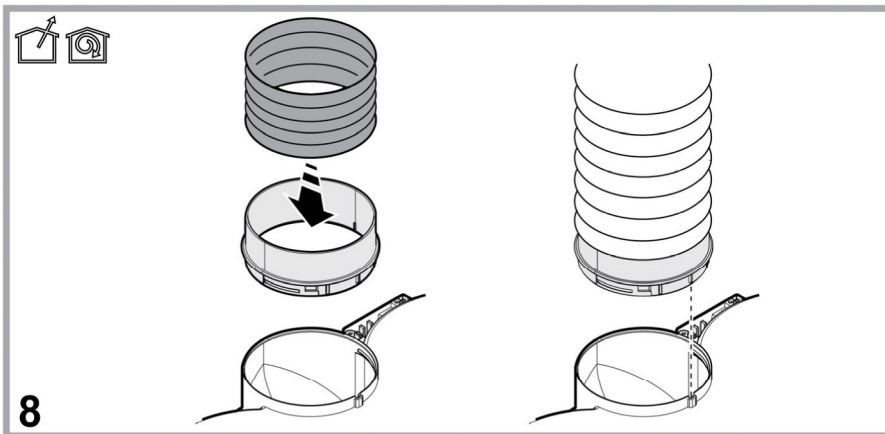
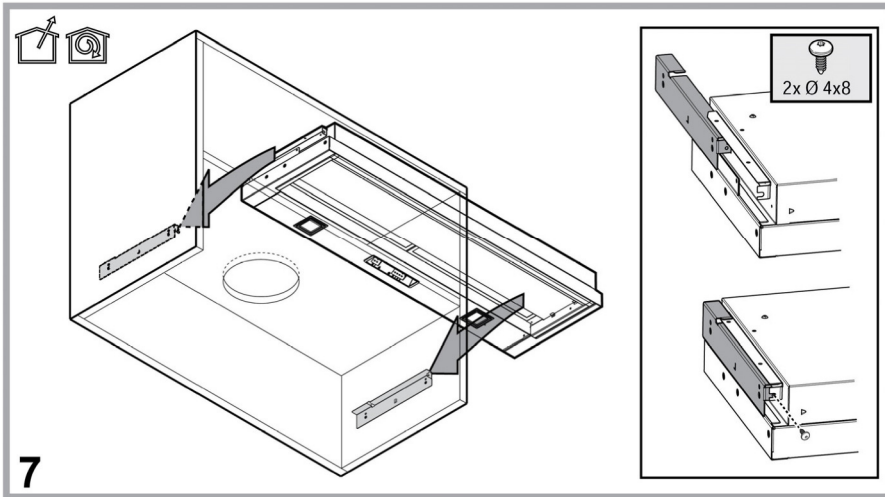
1

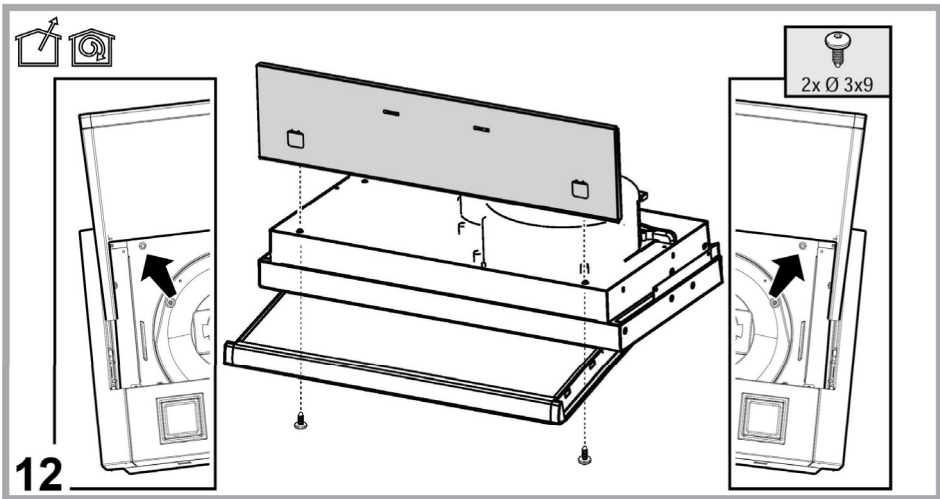
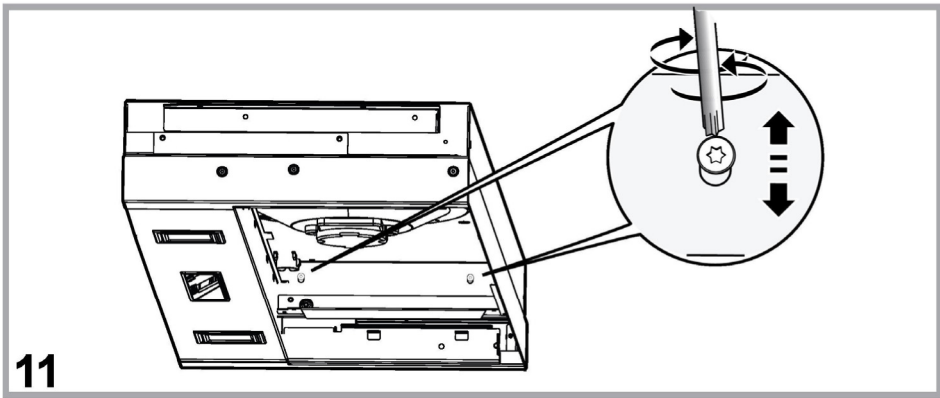
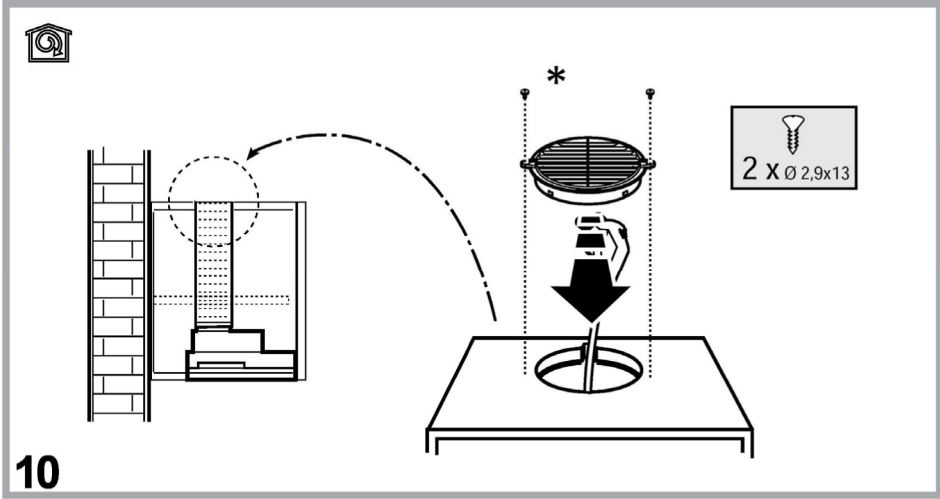


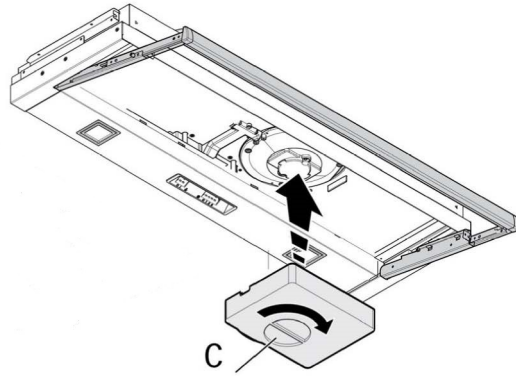
2



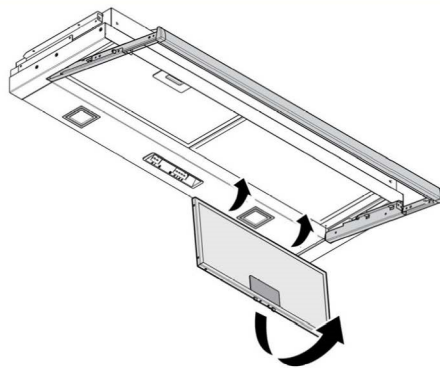




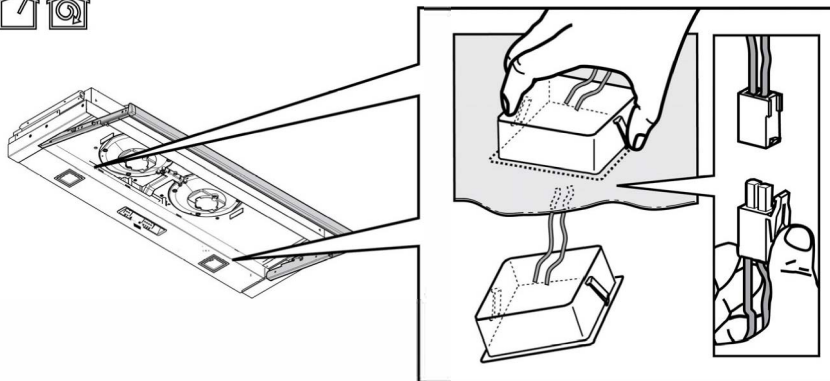




13



14

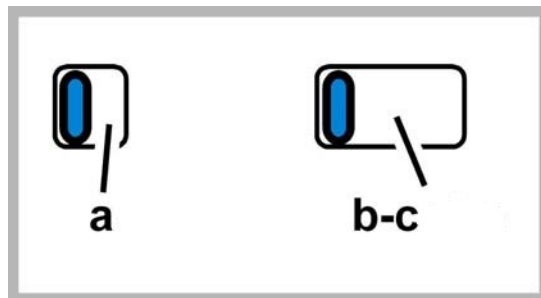


15

Operation

The rangehood is fitted with a control panel with aspiration speed selection control and a light switch to control cooking area lights.

a ON/OFF lighting
b-c ON/OFF motors



It is recommended that the rangehood suction is switched on for 5 minutes prior to cooking, be left in operation during cooking and for approximately 15 minutes after terminating cooking.

Maintenance

ATTENTION! Before performing any maintenance operation, isolate the rangehood from the electrical supply by switching off at the connector and removing the connector fuse. If the appliance has been connected through a plug and socket, then the plug must be removed from the socket.

Cleaning

The rangehood must be regularly cleaned on both the inside and outside (AT LEAST ONCE A MONTH). Clean using ONLY a cloth dampened with neutral liquid detergent. DO NOT CLEAN WITH TOOLS OR INSTRUMENTS. Do not use abrasive products. DO NOT USE ALCOHOL!

Grease filter

The grease filter must be cleaned once a month using non abrasive detergents, either by hand with a soft-bristled brush in warm soapy water, or in the dishwasher, which must be set to a low temperature and a short cycle. When washed in a dishwasher, the grease filter may discolor slightly, but this does not affect its filtering capacity. Ensure that each filter is completely dry before re-installing it into the rangehood. See Fig. 5 on page 9 for instructions to remove the grease filter.

Normally these filters will last the life of the rangehood, however if they are damaged in any way, replacements may be purchased by emailing support@kleenmaid.com.au or calling 02 9310 1207.

Charcoal filter (filter version only)

Fig. 13 on page 12 shows how to access and replace this filter.

The internal Kleenmaid Activated Charcoal (or “Carbon”) Filter will be present in a rangehood installed in recirculating mode i.e. not vented outdoors. There is one charcoal filter located inside this rangehood which removes cooking odours from the air. The saturation of the charcoal filter occurs after prolonged use, with the time depending on the type of cooking and the regularity of cleaning the grease filter. In any case it is necessary to replace the cartridge at least every four months or prior to that if it no longer absorbs odours effectively. The charcoal filter must NOT be washed or regenerated.

When replacement Kleenmaid Activated Charcoal filters are required they may be purchased by visiting the Kleenmaid website www.kleenmaid.com.au, emailing support@kleenmaid.com.au or calling 02 9310 1207.

Warning: It must be ensured that the filters are correctly installed whenever the rangehood is operating. Failure to do so may damage the rangehood, and such damage will not be covered by the manufacturer's warranty.

Replacing lamps

Fig. 15 on page 12

The rangehood is equipped with a lighting system based on LED technology. The LEDs guarantee optimum lighting, a duration up to 10 times as long as the traditional lamps and allow saving up to 90% on electrical energy. To replace lights, contact an authorised spare part centre.

Warranty Service

If the appliance fails to operate correctly during the warranty period please visit our website to request a warranty service (see back cover of this manual for details). When booking a service please provide your Model No.: RHSOG61 or RHSOG91 and the individual Serial Number of your appliance which is found on the rating plate, visible inside the rangehood when the grease filter is removed. See instructions for removing the grease filter at Fig. 5 on page 9 of this manual. Ensure power to the appliance is turned off before commencing.

KLEENMAID WARRANTY

TERMS AND CONDITIONS

1. Compass Capital Services Pty Ltd ABN 96 138 214 525 trading as Kleenmaid will provide parts and labour to you the customer as set out herein.
2. Kleenmaid's Products come with guarantees that cannot be excluded under the Australian Consumer Law. You are entitled to a replacement or refund for a major failure and for compensation for any other reasonably foreseeable loss or damage. You are also entitled to have the goods repaired or replaced if the goods fail to be of acceptable quality and the failure does not amount to a major failure.
3. The benefits given to you under this Kleenmaid Warranty are in addition to other rights and remedies to which you may be entitled under the Australian Consumer Law in relation to the Product to which this Kleenmaid Warranty relates. Subject to the conditions below, the Product is warranted by Kleenmaid and/or its agents to be free from defects in materials and workmanship for the Warranty Period for normal Domestic Use.
4. Product Identification: -
 - a. Kleenmaid reserves the right to reject claims for any services or work where you cannot produce for verification the serial number and a proof of purchase for the Product (including but not limited to the original invoice).
 - b. this Kleenmaid Warranty will be voided if the serial number for the Product cannot be verified. This is not intended to exclude, restrict or modify any right or remedy to which you may otherwise be entitled under the consumer guarantee provisions of the Australian Consumer Law.
 - c. in the event that a request for repair is made against this Kleenmaid Warranty where the serial number for the Product cannot be verified or you cannot produce for verification a proof of purchase for the Product (including but not limited to the original invoice), the repairer will not carry out any repairs on the Product and you will be charged a service call-out fee.
5. What is covered by this Kleenmaid Warranty: -
 - a. the Product is covered for faulty workmanship or parts that have failed under normal Domestic Use.
 - b. Kleenmaid and/or its agents will determine by objective testing if there are any defects in the Product and/or faulty workmanship.
 - c. this Kleenmaid Warranty is only applicable if repairs on Products are carried out within Mainland Australia.
 - d. this Kleenmaid Warranty: -
 - i. covers a Product purchased as new, manufactured for use in Mainland Australia;
 - ii. commences from the date of delivery of the Product;
 - iii. provides for the labour and replacement parts necessary to maintain the Product in good operating condition as specified in this Kleenmaid Warranty, however, if repair is needed because of Product failure during normal Domestic Use, Kleenmaid has the option to repair or replace the defective Product or part of the Product with a product or part of like kind and quality. A replacement part may be new or reconditioned of like kind and quality and may cost less than the original Product purchased and no charges or refunds will be made based on the replacement product or part cost difference; and
 - iv. is only applicable when the Product is used and operated in accordance with the Manufacturer's instructions.
6. What is not Covered by this Kleenmaid Warranty (excluded):-
 - a. any damage or failure to or of the Product or part of the Product:
 - i. due to the Product being inadequately serviced to manufacturer's recommendations;
 - ii. resulting from environmental conditions including and not limited to dirt, dust, rodents, insects, rust, corrosion, salt built-up, of or in any part of the Product;
 - iii. resulting from excessive use but fair wear and tear is excepted;
 - iv. resulting from poor installation including and not limited to positioning and externally fitted equipment such as plumbing and drainage, cabling, antennae or due to incompatibility of connected equipment;
 - v. caused by overheating as a result of sitting or positioning of the Product, where there is no provision for adequate ventilation or adequate protection from excessive dust;
 - vi. if the Product has been dismantled, repaired or serviced by any person other than someone authorised by Kleenmaid or its agents or representatives;
 - vii. caused by power surges or spikes, including and not limited to, mains power and telecommunications connections, or to other unspecified sources, incorrect power current, voltage fluctuation, amperage fluctuation, rust or corrosion;
 - viii. if the Product is dropped, collision of the Product with another object, use for which the Product is not designed, damage to the Product caused by your own negligence, accidental or deliberate misuse of the Product by you, theft, abuse, vandalism, flood, fire, earthquake, electrical storms or any other act of God or any war related events; or
 - ix. due to the introduction of abnormal heat loads to the Product;
 - b. costs of attendance and testing where no fault or defect covered by the terms of this Kleenmaid Warranty is identified in the Product;
 - c. initial setup and installation of the Product;
 - d. normal maintenance costs and costs incurred through the installation of items listed as requiring periodic replacement;
 - e. Products with removed or altered serial numbers;
 - f. broken or cracked glass other than transport damage to the initial point of delivery;
 - g. consumables such as but not limited to bulbs/globes, seals, filters, batteries and remote controls;
 - h. removal and reinstallation of an internal component not performed by an authorised Kleenmaid agent or representative or authorised service centre;
 - i. cosmetic or structural items; or
 - j. any failures due to interference from or with other products and/or sources.
7. This Kleenmaid Warranty ceases if: -
 - a. the Product ceases to carry the original manufacturer's serial number or is sold at an auction;
 - b. the Product is rented; or
 - c. there is failure to pay monies owing on invoices as a result of non-warranty work being carried out at the request of the end user as per point 16 below.
8. Neither Kleenmaid nor its representatives provide loan equipment under the terms of this Kleenmaid Warranty.
9. Any unauthorised access to the internal hardware of the Product will void this Kleenmaid Warranty.

10. Repair Notice: Products presented for repair may be replaced by refurbished Products of the same type rather than being repaired. Refurbished parts may be used to repair the Products.
11. Replacement items are "like for like" and is not "new for old" and does not indicate in any way that a faulty Product will be replaced with a new part or unit. "Like for like" may either be a quality checked, refurbished or reconditioned unit of the same or later batch of model/size/specifications
12. The cost of making a claim under this Kleenmaid Warranty is not covered by Kleenmaid, including any costs of transportation or travel expenses between your home and your nearest authorised service agent.
13. Kleenmaid accepts no liability for items that are lost, damaged, or stolen as a result of freight, transport or storage. If you are required to transport the Product to an authorised service centre, you must ensure that it is securely packed and insured.
14. On Public Holidays or other periods when regular business and wholesale operations are temporarily ceased, repairer availability and warranty response times may extend beyond the standard response times due to the unavailability of repairers and parts.
15. For any repair performed on a Product under this Kleenmaid Warranty where no fault can be found, or the item is deemed by Kleenmaid or an authorised agent, to be not faulty under this Kleenmaid Warranty, or the repair or fault is not covered under this Kleenmaid Warranty, a 'No Fault Found' fee is payable by you. Kleenmaid will advise you of this cost and seek your agreement to pay such costs before commencing such repairs.
16. Any repairs or services required that are outside the terms and conditions of this Kleenmaid Warranty can be carried out at your request at your cost (including where the Product has not been installed or set up correctly). Kleenmaid will always advise you of this cost and seek your agreement to pay such costs before commencing such repairs. A credit card may be required prior to the commencement of such services.
17. Extra charges will be payable by the customer should the Product not be readily accessible without special equipment, such as but not limited to cranes and lifts or should the Product be installed in a position that service access is blocked and/or repair work is not possible without uninstalling the Product to gain access.
18. You, the customer, may be entitled to purchase an extended warranty in respect of the Product. Any extended warranty will not be issued by Kleenmaid but by a third party. Any extended warranty services will be provided directly by the third party as principal and not as agent for Kleenmaid, under their extended warranty terms and conditions and not under this Kleenmaid Warranty.
19. To make a claim under this Kleenmaid Warranty, please have your proof of purchase and the serial number of the Product ready and call (02) 9310 1207 during business hours.
20. This Kleenmaid Warranty is given by:
 - Name: Compass Capital Services Pty Ltd ABN 96 138 214 525 trading as Kleenmaid
 - Business address: Level 2, Suite 3, 204 Botany Rd, Alexandria NSW Australia 2015
 - Telephone: (02) 9310 1207
21. Definitions:
 - a. **Australian Consumer Law** means the *Competition and Consumer Act 2010* (Cth).
 - b. **Domestic Use** means use of the Product for personal, domestic or household purposes.
 - c. **Kleenmaid** means Compass Capital Services Pty Ltd ABN 96 138 214 525 trading as Kleenmaid.
 - d. **Mainland Australia** means the following States and Territories of Australia: New South Wales, Victoria, South Australia, Western Australia, Queensland, Tasmania, Northern Territory, Australian Capital Territory.
 - e. **Product** means the appliance sold by Kleenmaid to you as evidenced by the original purchase invoice.
 - f. **Warranty Period** means the period of 60 months for domestic use, 12 months for non-domestic use or such alternative period as may be specified.

UPDATE NOTICE: This Kleenmaid Warranty is current as at 1 January 2019 but is subject to variation from time to time. For the latest version of the Kleenmaid Warranty, please see our website <http://www.kleenmaid-appliances.com.au/support/your-kleenmaid-warranty> or phone us on (02) 9310 1207.

Other products available in the Kleenmaid range of appliances

- | Washing machines
- | Clothes dryers
- | Dishwashers
- | Ovens
- | Cooktops
- | Steam ovens
- | Microwave ovens
- | Built in espresso coffee machines
- | Rangehoods
- | Freestanding ovens
- | Refrigerators & Freezers
- | Beverage Serving Cabinets
- | Water Dispensers
- | Vacuum Cleaners

To register your warranty or make a warranty claim, scan this QR code:



Compass Capital Services Pty Limited
trading as Kleenmaid
ABN 96138214525

Level 2, 204 Botany Road Alexandria
NSW 2015



Register your Kleenmaid
Appliances Warranty
www.kleenmaidwarranty.com.au



Request a Warranty Service
www.kleenmaidwarranty.com.au

E: support@kleenmaid.com.au
Please download the current User Manual for this
appliance at www.kleenmaid.com.au

 **kleenmaid**