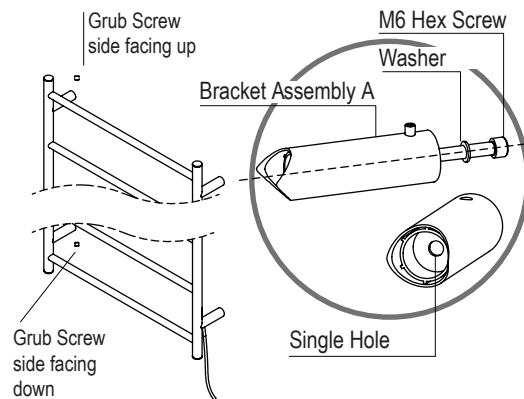
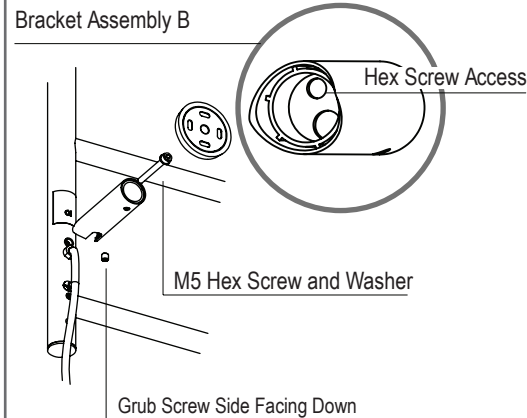


- 1** Fix all three of Bracket Assembly A into positions with M6 Hex Screw as shown.



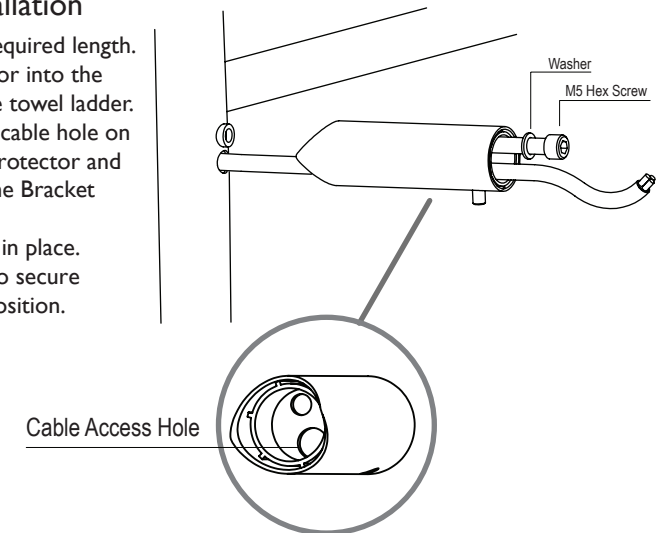
2a Plug-In Installation

Fix Bracket Assembly B into position with M5 Hex Screw, as shown.

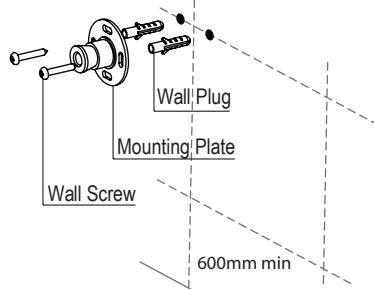


2b Hard Wiring Installation

- Trim the power cable to required length. Compress Rubber Protector into the tube to remove it from the towel ladder. Run the cable through the cable hole on the towel ladder, Rubber Protector and the cable access hole on the Bracket Assembly B. Fit Rubber Protector back in place. Screw on M5 Hex Screw to secure Bracket Assembly B into position.

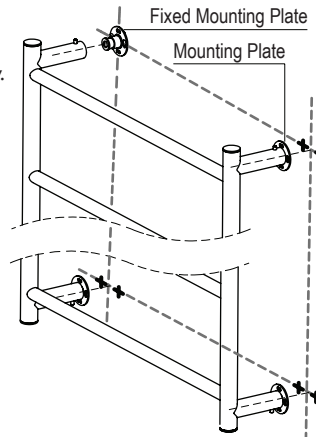


- 3**
- Recommended minimum installation height of lower bracket is 600mm from floor.
 - Measure and mark centre lines.
 - Place a Mounting Plate over centre lines and mark hole positions.
 - Use 6mm drill bit to drill two holes on the wall.
 - Push appropriate Wall Plug into drilled holes and fasten Mounting Plate with Wall Screw.



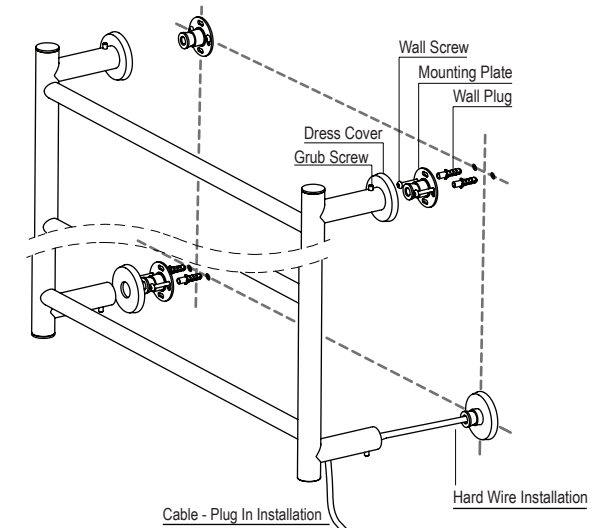
4

- Attach Mounting Plate to the towel ladder temporarily.
- Push the towel ladder over Fixed Mounting Plate.
- Mark hole positions required for installing other Mounting Plates.
- Remove Mounting Plate from the towel ladder once hole positions are marked.



5

- Use 6mm Drill bit to drill holes in the marked positions.
- For Hard Wiring : Drill suitable hole for cable into tile and plasterboard.
- Run power cable through Mounting Plate prior to installing Mounting Plate.
- Fit Wall Plug in place and fix Mounting Plate with Wall Screws.
- Attach Dress Cover over Mounting Plate. Fit the towel ladder into position and fasten Grub Screw to secure.



SAFETY WARNING:

- This product is only used for drying textile materials which were washed in water.
- This product should be installed in areas away from water. Do not immerse in water.
- Any damage to the power cord, must be repaired by a licensed electrician.
- No climbing on this product.
- Max. Loading: 5 KG
- Electrical data: 240V, 50Hz, 45W, IPX4

WARRANTY:

Please refer to the full warranty statement enclosed with the product before installing. Or visit www.phoenixtapware.com.au to download a copy.

*Hard wire installation must be conducted by a certified electrician.

MAINTENANCE AND CARE:

- Chrome plated surfaces should be cleaned with mild liquid detergent or soap and water.
- Do not use cream cleaners or citrus based cleaning products, as they are abrasive.
- Use of unsuitable cleaning agents may damage the surface. Any damage caused in this way will not be covered by warranty.

DISCLAIMER:

While we aim to ensure the specifications shown are correct at the time of printing, we reserve the right to make modifications without prior notice. Always use the physical product measurements for mark-ups and roughing-in as the line drawing shown may differ from the actual product over time.

*All measurements are shown in millimeters.