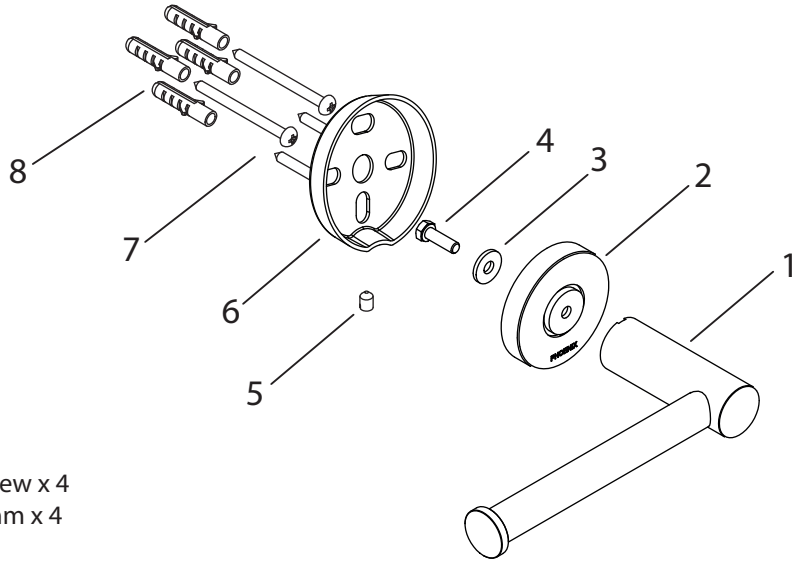




1

MOUNTING KIT

- 1: Accessory
- 2: Dress Plate
- 3: Washer
- 4: Bolt
- 5: Grub Screw
- 6: Mounting Plate
- 7: Self Tapping Screw x 4
- 8: Plastic Plug 30mm x 4

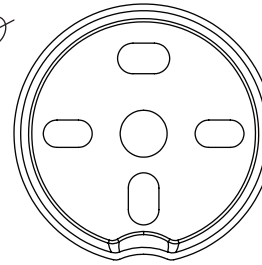
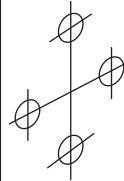


2

Place fixing plate where accessory is to be mounted. Mark center position of slotted holes.

Single Fixing Point

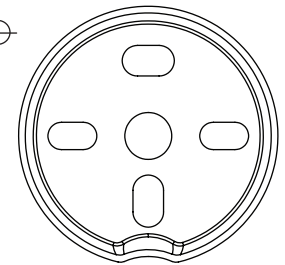
Use both vertical and horizontal hole positions for Single fixing installations such as toilet roll holder, guest towel holder.



Note: Ensure dimple points downwards

Double Fixing Point:

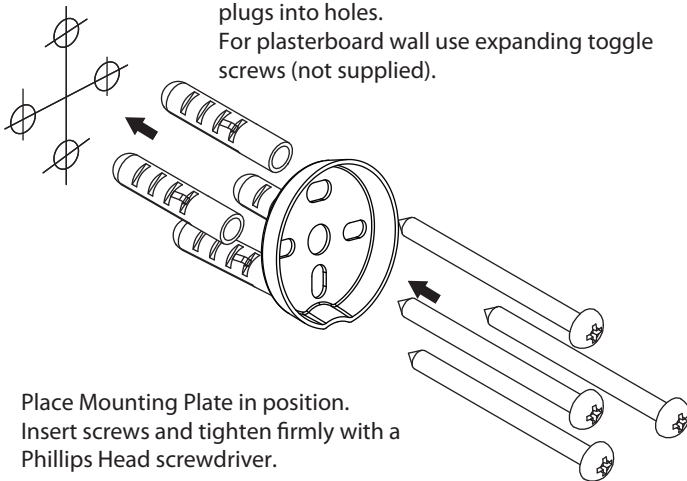
Use horizontal hole positions for double fixing installations such as towel rails, towel rack, shower shelf.



Note: Ensure dimple points downwards

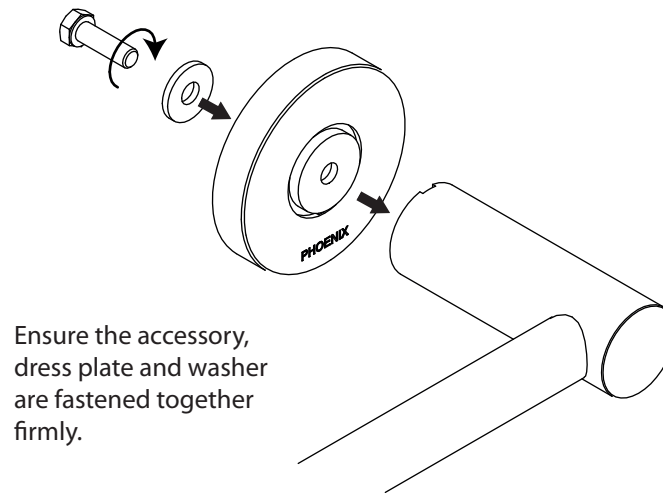
3

For fixing to brick walls with hard plaster or ceramic tiled surface. Using a 6mm masonry drill bit, drill 4 holes 30mm deep (2 holes for double fixing). Press plugs into holes. For plasterboard wall use expanding toggle screws (not supplied).



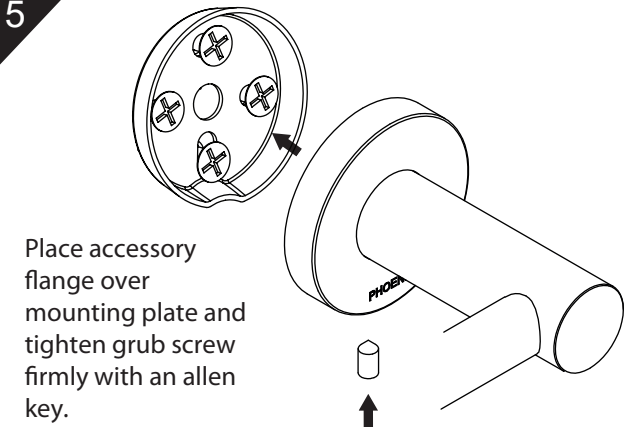
Place Mounting Plate in position. Insert screws and tighten firmly with a Phillips Head screwdriver.

4



Ensure the accessory, dress plate and washer are fastened together firmly.

5



Place accessory flange over mounting plate and tighten grub screw firmly with an allen key.

Maintenance and Care

Chrome plated surfaces should be cleaned with mild liquid detergent or soap and water. Do not use cream cleaners or citrus based cleaning products as they are abrasive. Use of unsuitable cleaning agents may damage the surface. Any damage caused in this way will not be covered by warranty.