

---

# PX364LMBAU



Product Family	Hob
Built-in type	Traditional
Dimensions	60 cm
Type	Gas
EAN code	8017709321642

---

## Aesthetics



Aesthetic	Classic
Colour	Black
Finishing	Matt
Material	Enamelled
Serie	New
Pan stands	Cast iron
Burners	Smeg Contemporary
Burners Material	Alluminium
Burner Coating	Black Ceram
Type of control setting	Control knobs
Control knob position	Front
No. of controls	4
Controls colour	Matt Black
Serigraphy colour	Silver

---

## Programs / Functions

Total no. of cook zones	4
No. of gas cook zones	4

---

## Options



Standard cut out	478-482x555-560 mm
------------------	--------------------

## Technical Features

**UR**

Left - Gas - UR - 3.50 kW

Rear-centre - Gas - Semi Rapid - 1.80 kW

Front-centre - Gas - AUX - 1.10 kW

Right - Gas - Rapid - 2.60 kW

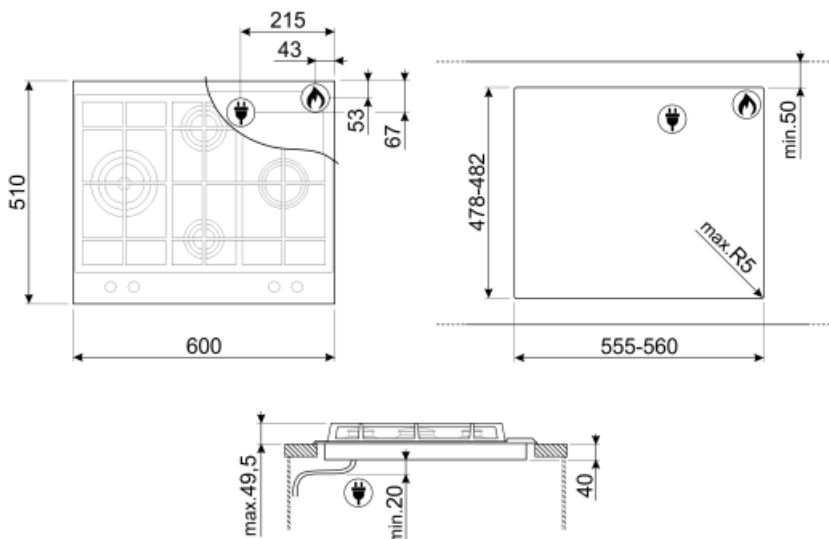
Gas safety valves                      Yes    **Automatic Ignition**                      Yes

## Electrical Connection

<b>Plug</b>	(I) Australia	<b>Frequency (Hz)</b>	50/60 Hz
<b>Electrical connection rating (W)</b>	1 W	<b>Power supply cable length</b>	120 cm
<b>Voltage (V)</b>	220-240 V	<b>Plug</b>	I
<b>Type of electric cable</b>	Single phase		

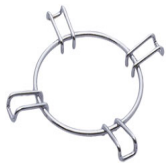
## Gas Connection

<b>Gas Type</b>	G20 Natural gas	<b>Other gas nozzles included</b>	G30 GPL Liquid gas
<b>Gas connection</b>	Conical	<b>Gas connection rating (W)</b>	9500 W



## Not included accessories

---



**GRW**  
Wok support



**WOKGHU**  
Cast-Iron WOK Support



**TPK**  
Stainless steel grill plate to cook  
Teppanyaki dishes

## Symbols glossary (TT)

---

- |  |  |   |   |
|--|--|---|---|
|  | Standard installation: Traditional installation in tabletop, suitable for any kitchen sets |  | Heavy duty cast iron pan stands: for maximum stability and strength.        |
|  | CUT_OUT_STANDARD_72dpi   |  | Ultra rapid burners: Powerful ultra rapid burners offer up to 5kw of power. |
|  | Knobs control  |   |   |