

Table of contents

1 Instructions	4
1.1 General safety instructions	4
1.2 Manufacturer liability	7
1.3 Appliance purpose	7
1.4 Identification plate	7
1.5 This user manual	7
1.6 Disposal	8
1.7 How to read the user manual	9
2 Description	10
2.1 General Description	10
2.2 Symbols	11
2.3 Available accessories	12
3 Use	13
3.1 Instructions	13
3.2 First use	13
3.3 Using the hob	13
4 Cleaning and maintenance	16
4.1 Instructions	16
4.2 Cleaning the appliance	16
5 Installation	18
5.1 Minimum clearance to combustible surface	18
5.2 Positioning in the counter top	18
5.3 Mounting	20
5.4 Gas connection	21
5.5 Adaptation to different types of gas	24
5.6 Electrical connection	26
5.7 Instructions for the installer	27

These instructions apply only to the destination countries listed on the appliance's data plate.

This is a class 3 built-in hob.

We advise you to read this manual carefully, as it contains all the instructions for maintaining the appliance's aesthetic and functional qualities.

For further information on the product: www.smeg.com



1 Instructions

1.1 General safety instructions

Risk of personal injury

- **WARNING** - Accessible parts will become hot when in use. To avoid burns young children should be kept away.
- During use the appliance becomes hot. Care should be taken to avoid touching heating elements inside the oven
- Never try to put out a fire or flames with water: turn off the appliance and smother the flames with a fire blanket or other appropriate cover.
- The appliance is not intended for use by persons (including children) with reduced physical, sensory or mental capabilities, or lack of experience and knowledge, unless they have been given supervised or instruction concerning use of the appliance by a responsible person for their safety.
- Young children should be supervised to ensure that they do not play with the appliance.
- Keep children under the age of 8 at a safe distance unless they are constantly supervised.
- Keep children under the age of 8 away from the appliance when it is in use.
- **WARNING:** Unattended cooking on a hob with fat or oil can be dangerous and may result in fire.
- Cleaning and maintenance must not be carried out by unsupervised children.
- Make sure that the flame-spreader crowns are correctly positioned in their seats with their respective burner caps.
- Be aware of how rapidly the cooking zones heat up. Do not place empty pans on the heat. Danger of overheating.
- Warning – Unattended cooking on a hob with fat or oil can be dangerous and may result in a fire.
- Fats and oils can catch fire if they overheat. Do not leave the appliance unattended while preparing foods containing oils or fats. If fats or oils catch fire, never put water on them. Place the lid on the pan and turn off the relevant cooking zone.
- **CAUTION:** The cooking process has to be supervised. A short-term cooking process has to be supervised continuously.
- While cooking do not place metal objects, such as cutlery or dishes on the hob surface as they may overheat.



- Do not insert pointed metal objects (cutlery or utensils) into the slots in the appliance.
- NEVER try to extinguish a fire with water, but switch off the appliance and then cover flame e.g. with a lid or a fire blanket.
- Do not use aerosols in the vicinity of this appliance whilst it is in use.
- Switch off the appliance after use.
- Do not modify this appliance.
- Do not try to repair the appliance yourself or without the intervention of a qualified technician.
- Do not pull the cable to remove the plug.
- If the power supply cable is damaged, contact technical support immediately and they will replace it.
- **WARNING:** Danger of fire: do not store items on the cooking surfaces.
- **DO NOT SPRAY AEROSOLS IN THE VICINITY OF THIS APPLIANCE WHILE IT IS IN OPERATION.**
- **DO NOT USE OR STORE FLAMMABLE MATERIALS IN THE APPLIANCE STORAGE DRAWER (IF PRESENT) OR NEAR THIS APPLIANCE.**
- **DO NOT USE THIS APPLIANCE AS A SPACE HEATER.**

Risk of damaging the appliance

- This appliance is not intended to be operated by means of external timer or separate remote control system.
- **DO NOT PLACE ARTICLES ON OR AGAINST THIS APPLIANCE.**
- Do not sit on the appliance.
- Do not use a steam cleaner to clean this appliance.
- Do not obstruct ventilation openings and heat dispersal slots.
- Never leave the appliance unattended during cooking operations where fats or oils could overheat and take fire. Be very careful.
- Never leave objects on the cooking surface.
- Do not use plastic cookware or containers for cooking.
- Cooking vessels or griddle plates should be placed inside the perimeter of the hob.
- All pans must have smooth, flat bottoms.
- If any liquid does boil over or spill, remove the excess from the hob.
- Take care not to spill acid substances such as lemon juice or vinegar on the hob.
- Do not put empty pans or frying pans on switched on cooking



Instructions

zones.

- Do not use harsh abrasive cleaners or sharp metal scrapers to clean glass since they can scratch the surface, which may result in shattering of the glass.
- Do not use cleaning products containing chlorine, ammonia or bleach on parts made of steel or that have metallic surface finishes (e.g. anodizing, nickel- or chromium-plating).
- Do not wash the removable components such as the hob grids, flame-spreader crowns and burner caps in a dishwasher.

Installation

- NOT SUITABLE FOR USE WITH AFTERMARKET LIDS OR COVERS.
- This appliance **must not be installed** in a boat or caravan.
- This appliance must not be installed on a pedestal.
- If the electrical supply is restricted, means of all-pole disconnection must be accessible and incorporated in the fixed wiring in accordance with the wiring rules
- Position the appliance into the cabinet cut-out with the help of a second person.
- To prevent any possible overheating, the appliance should

not be installed behind a decoration door or a panel.

- Before any operation on the appliance (installation, maintenance, positioning or movement) always wear PPM.
- Before performing any operation on the appliance, switch off the power supply.
- Have qualified personnel carry out installation and assistance interventions according to the standards in force.
- Means of disconnection of appliance must be incorporated in the fixed wiring in accordance with the wiring rules.
- Have the gas connection performed by authorised staff. Installation with a hose must be carried out so that the length of the piping does not exceed 2 metres when fully extended (for steel hoses).
- The hoses should not come into contact with moving parts and should not be crushed in any way.
- If required, use a pressure regulator that complies with current regulations.
- After carrying out any operation, check that the tightening torque of gas connections is between 10 Nm and 15 Nm.
- At the end of the installation, check for any leaks with a soapy



solution, never with a flame.

- Have the electrical connection performed by authorised technicians.
- The appliance must be connected to ground in compliance with electrical system safety standards.
- Use cables withstanding a temperature of at least 90°C.
- The tightening torque of the screws of the terminal board leads must be 1.5 - 2 Nm.
- If it is necessary to replace the power cable, this must only be performed by a qualified technician.
- Before installation, make sure that the local gas supply (gas type and pressure) and the settings of the domestic appliance are compatible.
- The settings for this domestic appliance are shown on the gas setting label.
- This domestic appliance is not connected to a device for extracting combustion products. It must be installed and connected in accordance with current installation regulations. Pay particular attention to the relevant requirements regarding ventilation.

For this appliance

- Do not obstruct ventilation openings and heat dispersal slots.
- Do not insert pointed metal

objects (cutlery or utensils) into the slots in the appliance.

- Do not use the appliance to heat rooms for any reason.
- The appliance is not designed to operate with external timers or with remote-control systems.

1.2 Manufacturer liability

The manufacturer declines all liability for damage to persons or property caused by:

- use of the appliance other than the one envisaged,
- failure to comply with the instructions in the user manual,
- tampering with any part of the appliance,
- use of non-original spare parts.

1.3 Appliance purpose

This appliance is intended for cooking food in the home environment. Every other use is considered inappropriate.

1.4 Identification plate

The identification plate bears the technical data, serial number and brand name of the appliance. Do not remove the identification plate for any reason

1.5 This user manual

This user manual is an integral part of the appliance and must therefore be kept in its entirety and within the user's reach for the whole working



Instructions

life of the appliance. Read this user manual carefully before using the appliance

1.6 Disposal



This appliance conforms to the WEEE European directive (2012/19/EU) and must be disposed of separately from other waste at the end of its service life. The appliance does not contain substances in quantities sufficient to be considered hazardous to health and the environment, in accordance with current European directives.

To dispose of the appliance:

- In order to prevent children from becoming trapped inside, remove the doors (if present) and leave the accessories (racks and trays) in the positions of use.



Power voltage

Danger of electrocution

- Disconnect the mains power supply.
- Unplug the appliance.
- Cut the power supply cable and remove it along with the plug.
- Deliver the appliance to the appropriate recycling centre for electrical and electronic equipment waste, or return it to the retailer when purchasing an equivalent product, on a one for one basis.

- Our appliances are packaged in non-polluting and recyclable materials.
- Deliver the packing materials to the appropriate recycling centre.



Plastic packaging

Danger of suffocation

- Do not leave the packaging or any part of it unattended.
- Do not let children play with the packaging plastic bags.



1.7 How to read the user manual

This user manual uses the following reading conventions:

Instructions



General information on this user manual, on safety and final disposal.

Description



Description of the appliance and its accessories.

Use



Information on the use of the appliance and its accessories.

Cleaning and maintenance



Information for proper cleaning and maintenance of the appliance.

Installation



Information for the qualified technician: Installation, operation and inspection.



Safety instructions



Information



Advice

1. Sequence of instructions for use.

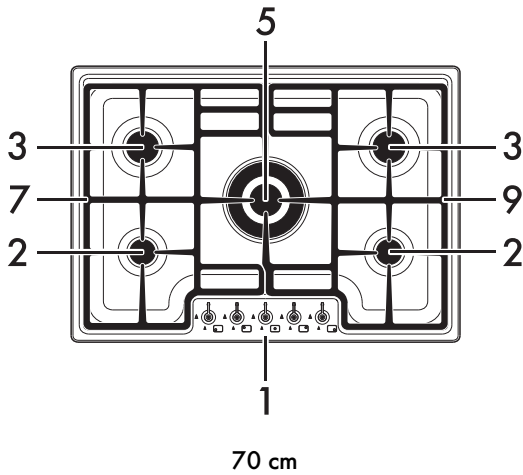
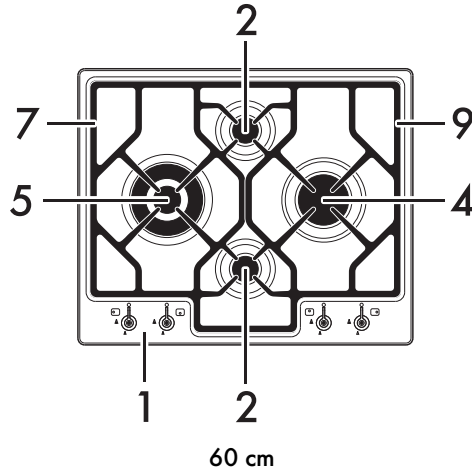
- Standalone instruction.

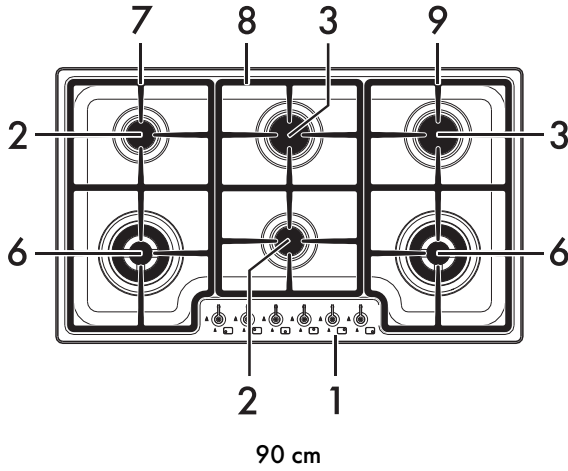


Description

2 Description

2.1 General Description





- | | | |
|--|--|-------------|
| 1 Control panel | | Front left |
| 2 Auxiliary Burner (AUX) | | Rear left |
| 3 Semi-Rapid burner (SR) | | Front right |
| 4 Reduced Rapid burner reduced (RR) | | Rear right |
| 5 Ultra-Rapid triple crown burner (UR3) | | Central |
| 6 Ultra-Rapid double crown burner (UR2) | | |
| 7 Left grid | | |
| 8 Central grid | | |
| 9 Right grid | | |

2.2 Symbols

Cooking zones

- | | |
|--|---------------|
| | Front |
| | Rear |
| | Central right |
| | Central left |

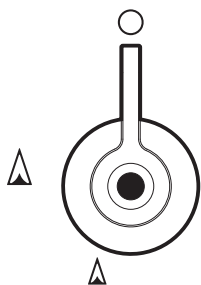
Flame indicators





- | | |
|--|---------------|
| | Maximum flame |
| | Minimum flame |
| | Off |



Description

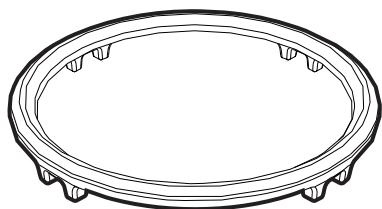
Burner knobs



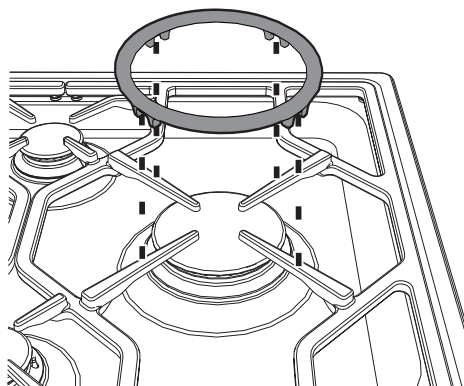
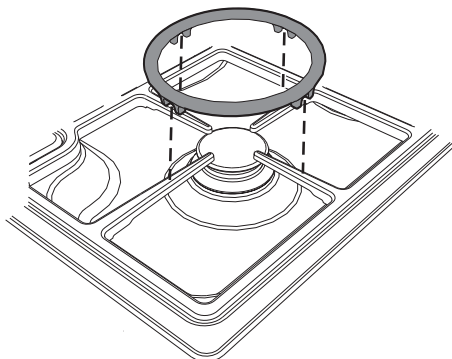
Used for lighting and adjusting the hob burners. Press and turn the knobs anti-clockwise to  in order to light the relative burners. Turn the knobs to the zone between the maximum  and minimum  setting to adjust the flame. Return the knobs to the position  to turn off the burners.

2.3 Available accessories

Raised pan stand



To prevent any damage to the work surface, a raised pan stand is available to be placed under the pans when they exceed the diameters listed in the chapter "Practical tips for using the hob".



The ring must be placed under the hob grid as shown in the pictures above.

In any case, pans with a diameter greater than 28 cm must be used solely on the Ultra-rapid burner (**UR2** or **UR3**).

This ring can also be used with woks.



3 Use

3.1 Instructions



Improper use Danger of burns

- Make sure that the flame-spreader crowns are correctly positioned in their seats with their respective burner caps.
- Oils and fats could catch fire if overheated. Be very careful.
- Do not leave the appliance unattended during cooking operations where fats or oils could be released.
- Do not spray any spray product near the appliance.
- Do not touch the appliance's heating elements when it is running. Leave them to cool before cleaning.
- Keep children under the age of 8 away from the appliance when it is in use.




Improper use Risk of damage to surfaces


- Do not use aluminium foil to cover the burners or hob body.
- Cookware should be placed inside the perimeter of the hob.
- All pans must have smooth, flat bottoms.
- If any liquid does boil over or spill, remove the excess from the hob.

2. Remove any labels (apart from the technical data plate) from accessories.
3. Remove and wash all the appliance's accessories (see 4 Cleaning and maintenance).

3.3 Using the hob

All the appliance's control and monitoring devices are located together on the front panel. The appliance is equipped with an electronic ignition device. Simply press the knob and turn it counterclockwise to the maximum flame symbol, until the burner ignites. If the burner does not light in the first 15 seconds, turn the knob to  and wait 60 seconds before trying again. After lighting, keep the knob pressed in for a few seconds to allow the thermocouple to heat up. The burner may go out when the knob is released: In this case, the thermocouple has not heated up sufficiently. Wait a few moments and repeat the operation. Keep the knob pressed in longer.



In case of an accidental switching off, a safety device will be tripped, cutting off the gas supply, even if the gas cock is open. Return the knob to  and wait at least 60 seconds before lighting it again.

3.2 First use

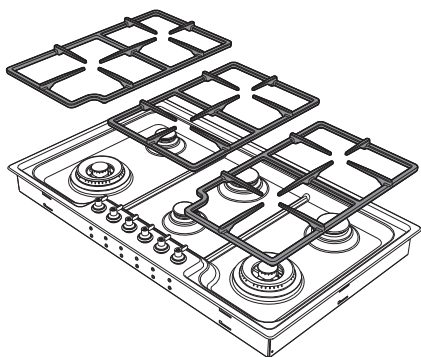
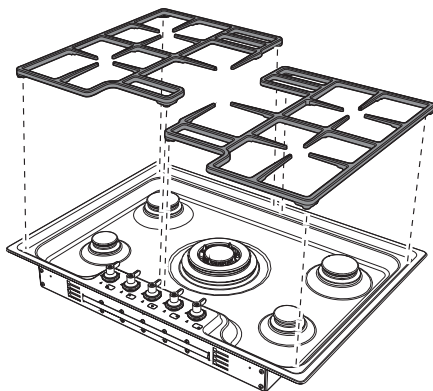
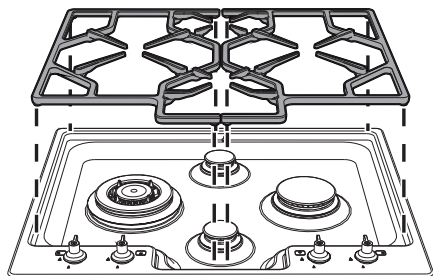
1. Remove any protective film from the outside or inside of the appliance, including accessories.



Use

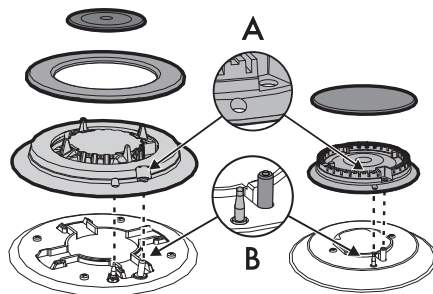
Positioning the pan stands

The pan stands are provided unassembled on the hob. To install the grids correctly, follow the instructions as shown in the figures.



Correct positioning of the flame-spreader crowns and burner caps

Before lighting the hob burners, check that the flame-spreader crowns are correctly in place with their respective burner caps, making sure that the holes (A) in the burner are aligned with the igniters and thermocouples (B).



Practical tips for using the hob

For better burner efficiency and to minimise gas consumption, use pans with lids and of suitable size for the burner, so that the flames do not reach up the sides of the pan. Once the contents come to the boil, turn down the flame far enough to ensure that the liquid does not boil over.



Cookware diameters:

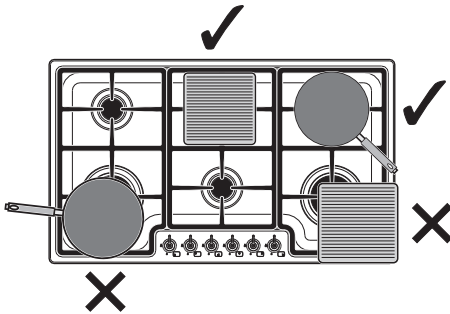
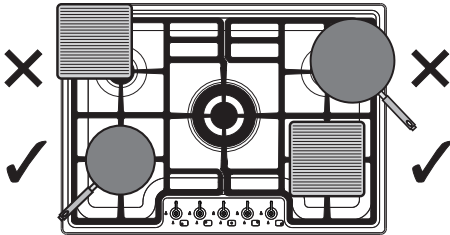
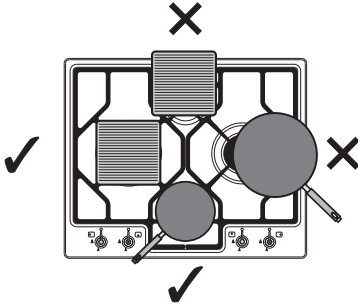
- **AUX:** 12 - 16 cm.
- **SR:** 18 - 24 cm.
- **RR:** 18 - 24 cm.
- **UR3:** 22 - 26 cm.


Cookware diameters with raised pan stand

- **AUX:** 16 - 26 cm.
- **RR:** 24 - 28 cm.
- **UR3:** 26 - 34 cm.



To prevent burns or damage to the hob or the counter top during cooking, all cookware or griddles must be placed inside the perimeter of the hob.



Always check that the control knobs are in the  (off) position when you finish using the appliance.

Limitations on griddle use



A few precautions are necessary if you wish to use a griddle:

- The griddles should not exceed the perimeter of the hob.
- Aluminium griddles with Teflon anti-stick coating should be pre-heated for a maximum of 5 minutes in order to avoid damage to the appliance and the Teflon coating. After pre-heating, place the foodstuffs on the griddle to cook them; do not exceed 40 minutes of total use for the griddle.
- Do not use griddles or plates to cook or heat food on the ultra-rapid burners (**UR2** or **UR3**).
- If one of the burners close to the wooden rear wall is an ultra-rapid burner (**UR2** or **UR3**), leave a gap of 160 mm between this wall and the edge of the griddle;
- Do not allow the burner flames to extend beyond the edge of the griddle;
- Leave a gap of at least 160 mm between the edge of the griddle and the side wall;
- Do not place the griddle over more than one burner at the same time;
- Never use the griddle for more than 40 minutes.



Cleaning and maintenance

4 Cleaning and maintenance

4.1 Instructions



Improper use Risk of damage to surfaces

- Do not use steam jets to clean the appliance.
- Do not use cleaning products containing chlorine, ammonia or bleach on parts made of steel or that have metallic surface finishes (e.g. anodizing, nickel- or chromium-plating).
- Do not use rough or abrasive materials or sharp metal scrapers.
- Do not wash the removable components such as the hob grids, flame-spreader crowns and burner caps in a dishwasher.
- Annual service by an authorised person is recommended, or if any of the following conditions are noticed; incomplete ignition, appreciable yellow tipping, carbon deposition, lifting, floating, lighting back or objectionable odour.

Food stains or residues

Do not use steel sponges and sharp scrapers, as they will damage the surfaces. Use normal, non-abrasive products and a wooden or plastic tool, if necessary. Rinse thoroughly and dry with a soft cloth or a microfibre cloth.

Cooking hob grids

Remove the grids and clean them in lukewarm water and non-abrasive detergent. Make sure to remove any encrustations. Dry them thoroughly and return them to the hob.



The continuous contact between the grids and the flame can cause modifications to the enamel over time in those parts exposed to heat. This is a completely natural phenomenon which has no effect on the operation of this component.

4.2 Cleaning the appliance

To keep the surfaces in good condition, they should be cleaned regularly after use. Let them cool first.

Ordinary daily cleaning

Always use specific products only that do not contain abrasives or chlorine-based acids. Pour the product onto a damp cloth and wipe the surface, rinse thoroughly and dry with a soft cloth or a microfibre cloth.



Flame-spreader crowns and burner caps

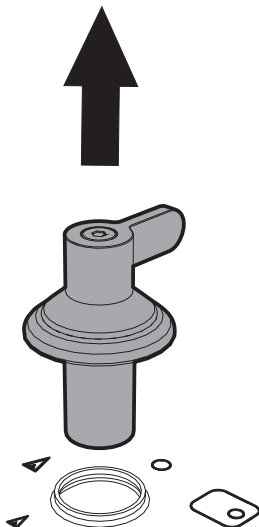
For easier cleaning, the flame-spreader crowns and the burner caps can be removed. Wash them in hot water and non-abrasive detergent. Carefully remove any encrustation, then wait until they are perfectly dry. Refit the flame-spreader crowns making sure that they are correctly positioned in their housings with their respective burner caps.

Knobs



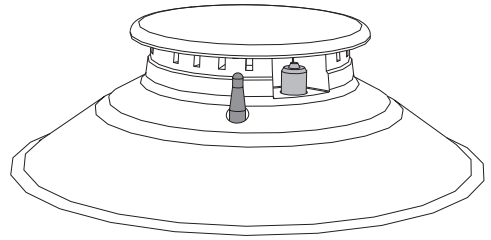
Do not use aggressive products containing alcohol or products for cleaning steel and glass when cleaning the knobs, as these products could cause permanent damage.

The knobs should be cleaned with a soft cloth dampened with warm water, then dried carefully. They can easily be removed by pulling them upwards.



Igniters and thermocouples

For correct operation the igniters and thermocouples must always be perfectly clean. Check them frequently and clean them with a damp cloth if necessary. Remove any dry residues with a wooden toothpick or a needle.



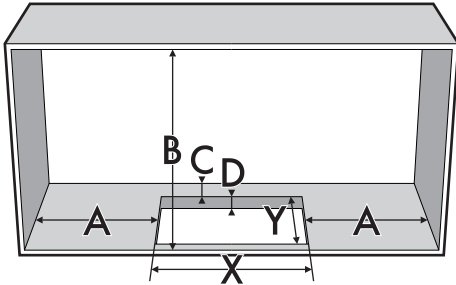
After cleaning, dry the appliance thoroughly to prevent water or detergent drips from interfering with its operation or creating unsightly marks.



Installation

5 Installation

5.1 Minimum clearance to combustible surface



A 200mm (Vertical combustible surface) measured from the edge of the nearest burner.

B 600mm (Overhead) measured from the highest part of the highest surface and 750mm for an exhaust fan.

C 50mm (non-combustible surface)

D 20mm (benchtop)

X (width) & **Y** (depth) see appliance dimension within this manual.

Refer to AS/NZS 5601 (Protection of a combustible surface) if the above minimum clearances cannot be achieved.

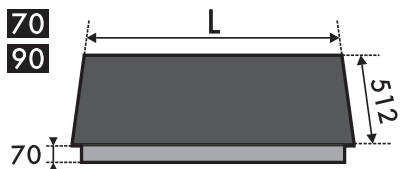
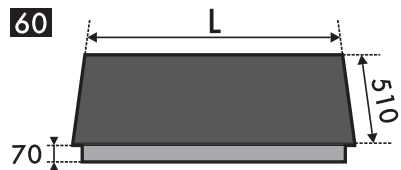
The top of the pan support is 9mm - 12 mm above the bench top.

5.2 Positioning in the counter top

i The following operation requires building and/or carpentry work and must therefore be carried out by a competent tradesman. Installation can be carried out on various materials such as masonry, metal, solid wood or plastic laminated wood as long as they are heat resistant (>90°C).

Fixing to the traditional built-in model support structure

Create an opening with the dimensions shown in the figure in the countertop of the piece of furniture.

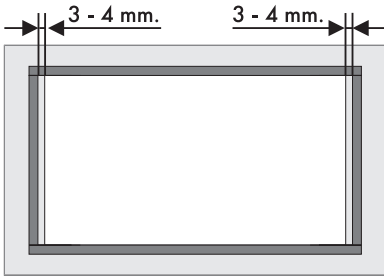


Model	L (mm)	X (mm)	Y (mm)
60 cm	617	592	488
70 cm	720	700	492
90 cm	867	847	482

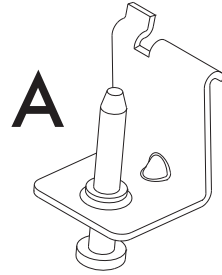
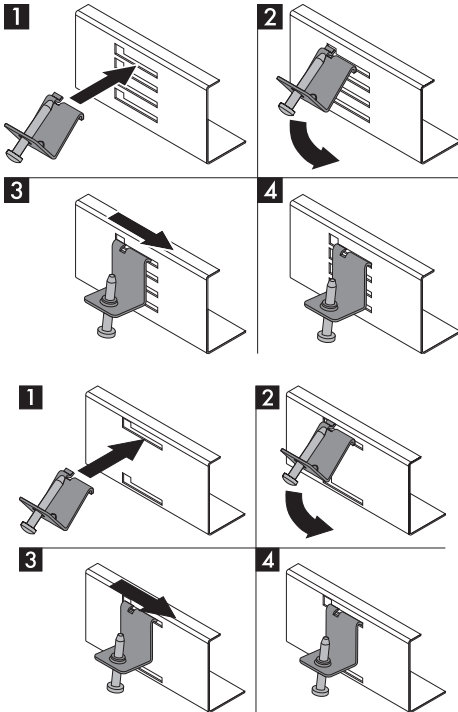
To prevent leakage of liquid between the frame of the hob and the work surface, carefully put the insulating seal provided in position before assembly.



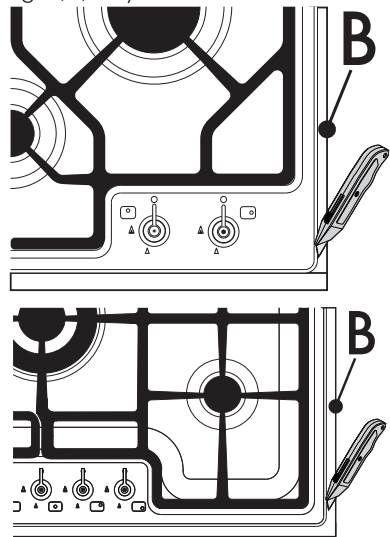
1. Refer to the dimensions in the figure, bearing in mind that the front and rear long sides must brush against the hole.



2. Make the seal stick to the edge around the hole cut in the worktop, using a slight pressure; front and rear sides of the seal must brush against the hole.



3. Place the hob on the insulating seal and fix it to the supporting structure using the supplied screws and fastening brackets (A) so that the hob is perfectly level.
4. Carefully trim the surplus away from the edge (B) beyond the seal.



The brackets should be placed only after the hob has been laid on the seal.



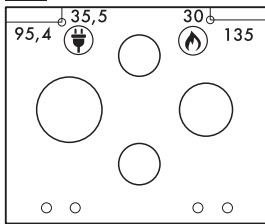
Installation



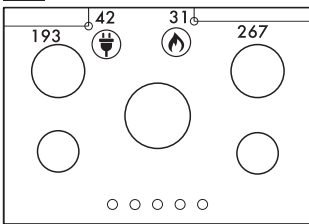
- If necessary, do not fix the hob using silicone as this would make it impossible to remove the hob without damaging it.
- If a laminated top is used, lay a film of anti-infiltration primer on the milled surface.

Gas and electrical connection location (measurements in mm - view from the top)

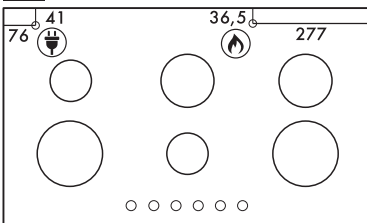
60



70



90

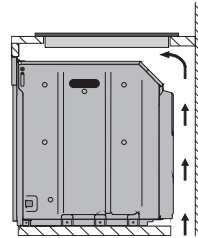


5.3 Mounting

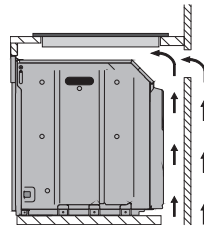
Over built-in oven unit

The clearance between the hob and the kitchen furniture or other installed appliances must be enough to ensure sufficient ventilation and air discharge.

If installed above an oven, a space must be left between the bottom of the hob and the top of the appliance installed below.



opens on bottom



opens on bottom and on rear



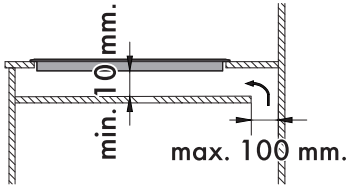
If installed on top of an oven, the latter must be equipped with a cooling fan.



Gas pipe connection



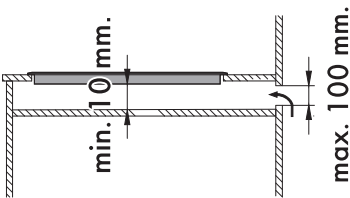
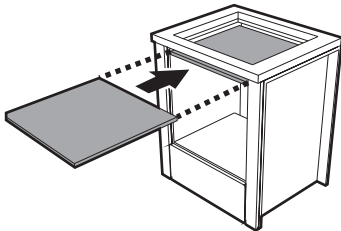
Electrical connection



opens on rear

Over empty kitchen unit or drawers

If there are other pieces of furniture (lateral walls, drawers, etc.), dishwashers or fridges under the hob, a double-layer wooden base must be installed at least **10 mm** from the bottom of the hob to avoid any accidental contact. It must only be possible to remove the double-layer base using suitable equipment.



opens on bottom



Failure to install the double-layer wooden base exposes the user to possible accidental contact with sharp or hot parts.

5.4 Gas connection



Gas leak
Danger of explosion

- After carrying out any operation, check that the tightening torque of gas connections is between 10 Nm and 15 Nm.
- If required, use a pressure regulator that complies with current regulations.
- At the end of the installation, check for any leaks with a soapy solution, never with a flame.
- Installation with flexible hose must be carried out so that the length of the piping does not exceed 1,2 metres when fully extended; make sure that the hoses do not come into contact with moving parts and that they are not crushed in any way.
- The hoses should not come into contact with moving parts and should not be crushed in any way.
- The settings for this domestic appliance are shown on the gas setting label.

General information

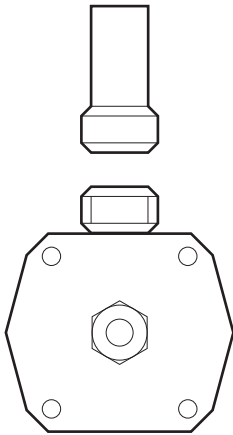
This appliance is suitable for installation with Natural Gas or ULPG (propane/butane). Refer to "internally and replace the lubrication grease." paragraph for the relevant burner pressure and appropriate injector sizes. When the appliance is to be connected to Natural Gas then a pressure regulator must be fitted to the gas inlet. A test point (for checking the gas pressure) is supplied either with the regulator or as a separate fitting in the case of ULPG (propane) appliances.



Installation

Connection of the appliance to the gas supply must be in accordance with the requirements of AS5601. A 1/2" BSP connector at the inlet is recommended and the gas supply line to the appliance must be of adequate length to allow sufficient withdrawal of appliance for service or disconnection and be:

1. annealed copper pipe or;
2. flexible hose according to AS/NZ1869 & be at least Class "B", 10 mm diameter.



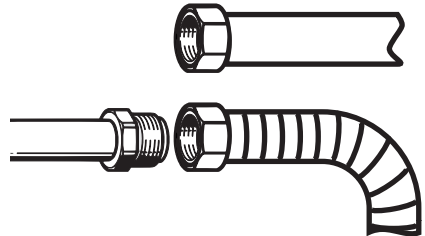
The appliance must be installed with provision to allow the gas to be turned off and disconnected for servicing and removal of the appliance as required from the gas supply. Before the appliance is operated make certain all relevant parts are placed in the correct position.

On completion of the installation, the installer **MUST** check for gas leaks and test each burner individually for the correct flame. Once all burners have been tested individually, turn all burners on together. Warranty service calls do not cover these adjustments!

To check the operating pressure of the appliance it is recommended at least 2 large size burners are used. Ensure appliance is secured to wall when installation is completed.

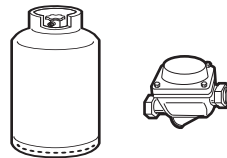
N.G. The regulator must be fitted to the 1/2 BSP thread at the rear of the appliance. An approved manual shut-off valve must be installed. The N.G. regulator must be checked and adjusted to 1.0kPa after installation.

U.L.P.G. Can be connected to the inlet fitting directly. The pressure must be checked to ensure it is operating at 2.75kPa. A separate test point fitting must be installed between the piping & the appliance for the pressure to be checked to ensure it is operating at 2.75kPa.



Connection to LPG

Use a pressure regulator and make the connection on the gas cylinder following the guidelines set out in the standards in force.



The supply pressure must comply with the values indicated in the table "Burner and nozzle characteristics tables".



Room ventilation

The appliance should be installed in rooms that have a permanent air supply in accordance with the standards in force. The room where the appliance is installed must have enough air flow for the regular combustion of gas and the necessary air change in the room itself. The air vents, protected by grilles, must be the right size to comply with current regulations and positioned so that no part of them is obstructed, not even partially. The room must be kept adequately ventilated in order to eliminate the heat and humidity produced by cooking: In particular, after prolonged use, you are recommended to open a window or to increase the speed of any fans.

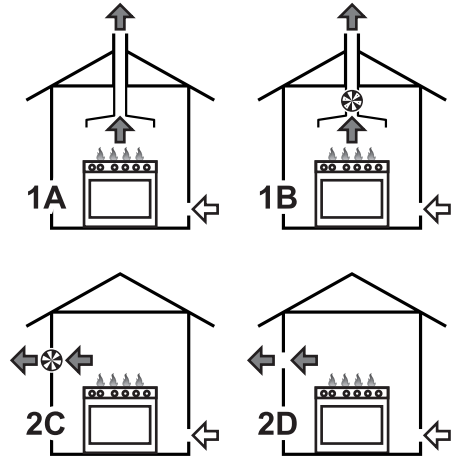
Extraction of the combustion products



This appliance is not connected to an exhaust system for combustion products. It must be installed and connected in compliance with the current installation regulations. Special attention should be paid to the relevant requirements as for ventilation.

The combustion products may be extracted by means of hoods connected to a natural draught chimney whose efficiency is certain or via forced extraction.

An efficient extraction system requires precision planning by a specialist qualified in this area and must comply with the positions and clearances indicated by the applicable standards.



When the job is complete, the installer must issue a certificate of conformity.

- 1 Extraction using a hood
 - 2 Extraction without a hood
 - A Single natural draught chimney
 - B Single chimney with extractor fan
 - C Directly outdoors with wall- or window-mounted extractor fan
 - D Directly outdoors through wall
- Air
 Combustion products
 Extractor fan



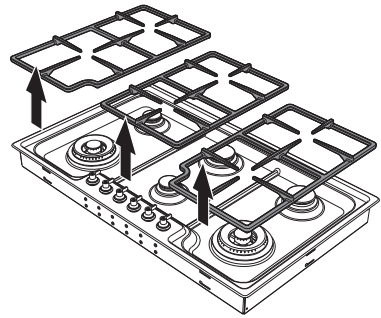
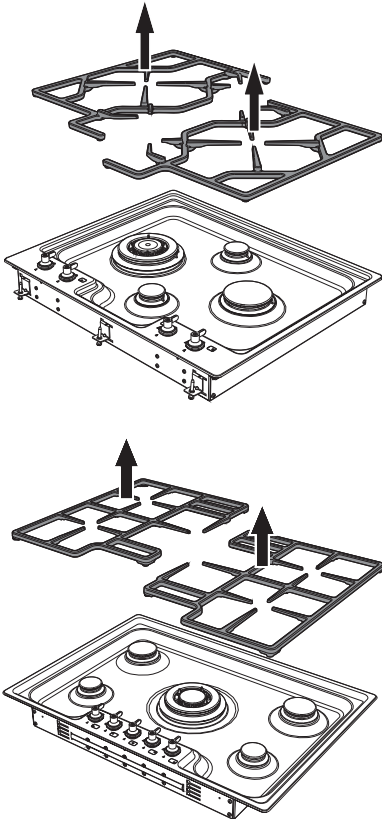
Installation

5.5 Adaptation to different types of gas

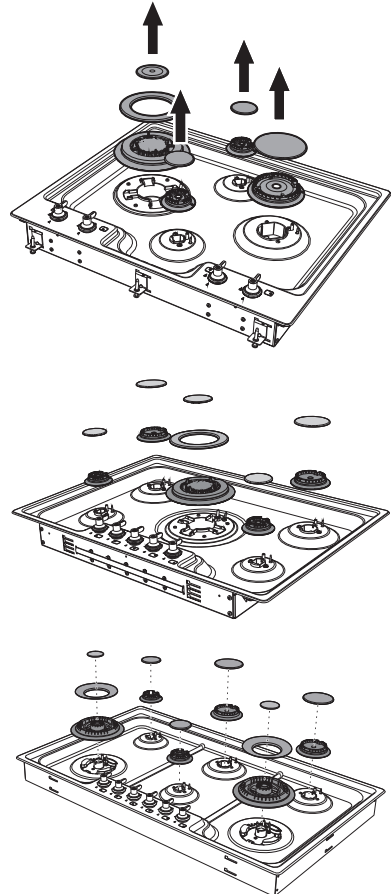
In case of operation with other types of gas, the burner nozzles must be changed and the minimum flame adjusted on the gas taps.

Changing the nozzles

1. Remove the grids from the hob.

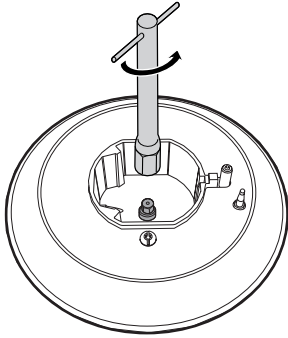


2. Remove the flame-spreader crowns and relative burner caps.

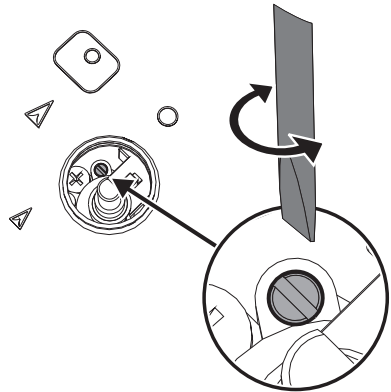




3. Replace the burner nozzles using a 7 mm socket wrench according to the gas to be used (see "Nozzle and burner specification tables").



3. Turn the regulating screw on the side of the cock stem until a steady minimum flame is achieved.



4. Reposition the burners in their respective housings.

4. Refit the knob and verify that the burner flame is stable.

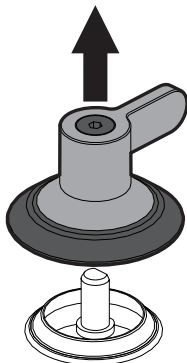


The nozzle tightening torque must be no more than 3 Nm.

5. Turn the knob rapidly from the maximum to the minimum setting: The flame should not go out. Repeat the operation on all gas cocks.

Adjusting the minimum setting for natural or town gas

1. Light the burner and turn it to the minimum position.
2. Remove the knobs by pulling them upwards.



Adjusting the minimum setting for LPG

Tighten the screw located at the side of the cock rod clockwise all the way.



Following adjustment to a gas other than the one originally set in the factory, replace the gas setting label on the appliance with the one corresponding to the new gas. The label is inserted inside the nozzle pack (where present).



Installation

Lubricating the gas taps

Over time the gas taps may become difficult to turn and get blocked. Clean them internally and replace the lubrication grease.



Lubrication of the gas cocks should be performed by a specialised technician.

Burner and nozzle characteristics tables

NG 1.0 kPa	AUX	SR	RR	UR2	UR3
Rated heating capacity (MJ/h)	3.9	7.5	12	15	15.2
Nozzle diameter (1/100 mm)	0.9	1.20	1.55	1.75	1.65 + 0.80
ULPG 2.75 kPa	AUX	SR	RR	UR2	UR3
Rated heating capacity (MJ/h)	3.9	6.3	10.8	13.5	15.2
Nozzle diameter (1/100 mm)	0.54	0.68	0.88	1.00	0.94 + 0.46

The nozzles not provided are available at Authorised Service Centres.

5.6 Electrical connection

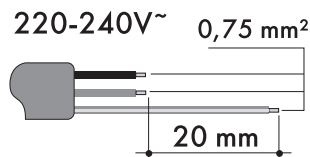
General information

Check the mains characteristics against the data indicated on the plate. The identification plate bearing the technical data, serial number and brand name is visibly positioned on the appliance. Do not remove this plate for any reason. Perform the ground connection using a wire that is 20 mm longer than the other wires.



Pass the power supply cable through the back of the unit, taking care that it does not touch the bottom casing of the hob or the oven (if any) installed underneath it.

- 220-240 V 1N~



Use a **3 x 0.75 mm² three-core** cable.



The values indicated above refer to the cross-section of the internal lead.

The appliance can work in the following modes:



Fixed connection

Fit the power line with an omnipolar circuit breaker in compliance with installation regulations. The circuit breaker should be located near the appliance and in an easily reachable position.

For stationary appliances permanently connected to the fixed wiring, compliance with this requirement is considered to be met if the instruction concerning disconnection incorporated in the fixed wiring is in accordance with AS/NZS3000.

Connection with plug and socket

Make sure that the plug and socket are of the same type. Avoid using adapters and shunts as these could cause overheating and a risk of burns.

Testing

At the end of installation, carry out a brief inspection test. If the hob fails to operate, after checking that you have carried out the instructions correctly, unplug the appliance and contact Technical Support.

5.7 Instructions for the installer

- The plug must be accessible after installation. Do not bend or trap the power cable.
- The appliance must be installed according to the installation diagrams.
- Do not try to unscrew or force the threaded elbow of the fitting. You may damage this part of the appliance, which may void the manufacturer's warranty.
- Use soap and water to check for gas leaks on all connections. **DO NOT** use naked flames to find leaks.
- Turn on all the burners separately and then all together to make sure that the gas valve, burner and ignition are working properly.
- Turn the burner knobs to the minimum position and check that the flame is stable for each individual burner and all the burners together.
- If the appliance does not work correctly after having carried out all the checks, contact your local Authorised Service Centre.
- Once the appliance has been installed, please explain to the user how to use it correctly.



91477A252/B