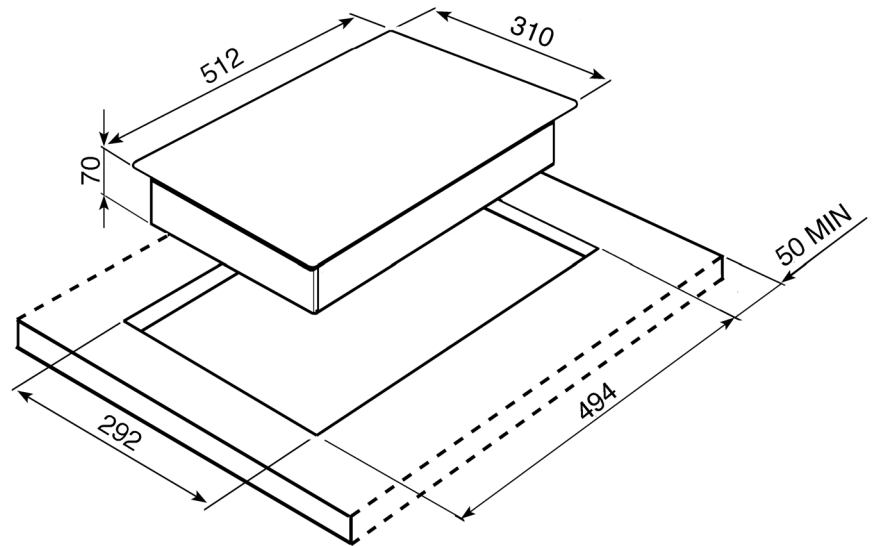


PGA32G

smeg 30cm ultra-low profile two-burner gas cooktop



finish	stainless steel, cast-iron trivet
size	310mmW x 70mmH x 512mmD
cutout	292mmW x 494mmD
installation	topmount
ignition	automatic electronic
capacity	2 zones — front auxiliary: 3.9 mj/hr rear rapid: 12 mj/hr
gas input	set for natural gas: regulator supplied adaptable for ULPG
power	220–240V, 50/60Hz
safety	flame failure device fitted
option	Linear control knobs supplied
warranty	two years parts and labour

**PLEASE NOTE: drawings are not to scale. They are to assist only.**