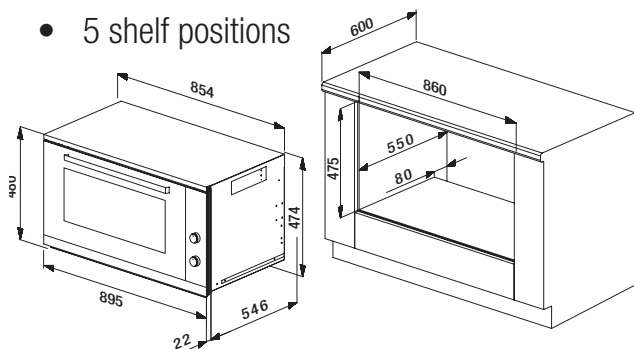


Multifunction Oven – XL 105 Litre

Model: OMF9411



- 10 Functions
- Programmed cooking
- Convection Hot Air Frying capable
- Electronic timer
- Push pull knobs
- Dual mount lighting
- Removable door
- Tangential cooling ventilation
- Triple glazed door
- 1 fully extendable telescopic guide
- Full glass inner door
- 1 baking tray
- 1 wire rack
- 5 shelf positions



Enamel



Traditional cooking:
upper and lower
heating elements
Pizza and Bread



Pastry:
lower heating element



THERMAflow8



Dual mount lighting



Baking: fan forced



Programmed
Cooking



Intensive cooking:
upper + lower heating
elements + fan



Defrosting: fan



Convection Hot
Air Frying



Full Grill



Double Grill



Gratin:
ventilated grill



Eco Fan Forced



These dimensions are provided as a general guide only and should not be used for designing or constructing cabinetry or for installation.

To obtain full installation instructions for this appliance go to kleenmaid.com.au and click on User Care Manuals, top right.

Fineline :0015272

J12674_01

Level 2, 204 Botany Road, Alexandria NSW, 2015
P: 02 9310 1207 • E: support@kleenmaid.com.au
www.kleenmaid.com.au

kleenmaid
The best you can own