

Multifunction Oven – XL 75 Litre



Model: OMF6015

- 11 functions
- Single point, high mount lighting
- Electronic push pull knobs
- Interactive digital control display
- 5 cooking levels
- Convection Hot Air Frying capable
- Fully removable door
- 1 baking tray with wire insert and 2 metal grills
- Programmed cooking
- Pause/Resume
- Child lock
- Energy saving digital clock mode
- Easy access fully removable glass panes with snap lock convenience
- Optional telescopic sliding shelves available, order KM9411A09



Enamel



Traditional cooking:
upper and lower
heating elements
Pizza and Bread



Pastry:
lower heating element



Convection Hot
Air Frying



Lighting



Baking: fan forced



Full Grill



Intensive cooking:
upper + lower heating
elements + fan



Defrosting: fan



Double Grill



Fan Assisted
Double Grill



Thermal
Reflective Glass



Interactive Digital Display



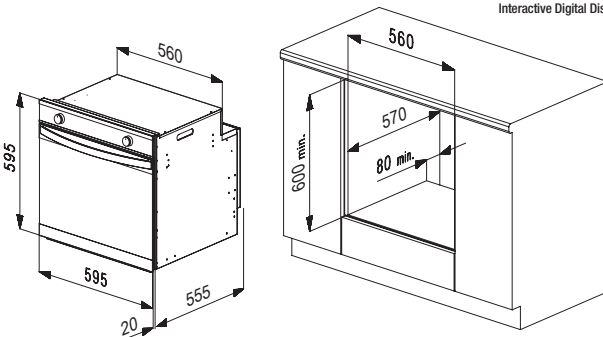
Pause/Resume



Child Safety Lock



Programmed
Cooking



These dimensions are provided as a general guide only and should not be used for designing or constructing cabinetry or for installation.

To obtain full installation instructions for this appliance go to kleanmaid.com.au and click on User Care Manuals, top right.

Fineline: 0365147

J12674_01

Level 2, 204 Botany Road, Alexandria NSW, 2015
P: 02 9310 1207 • E: support@kleanmaid.com.au
www.kleanmaid.com.au

kleanmaid
The best you can own

