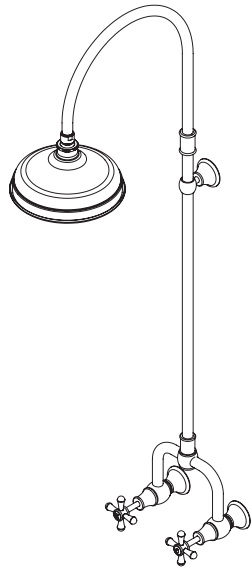
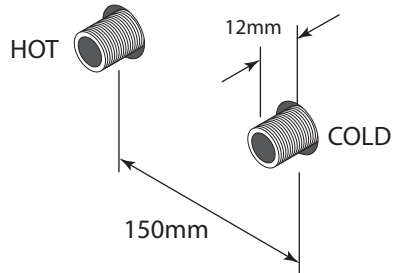
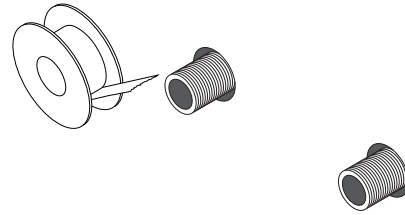


BEFORE YOU START

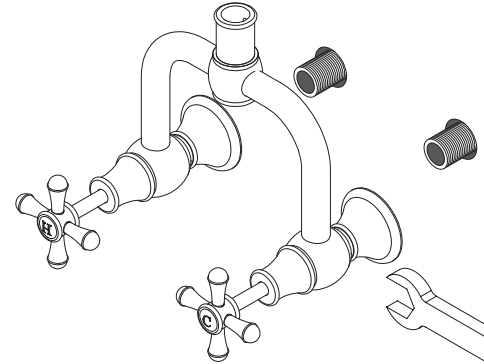
The Nostalgia Exposed Shower Set requires separate G1/2" hot and cold outlets.



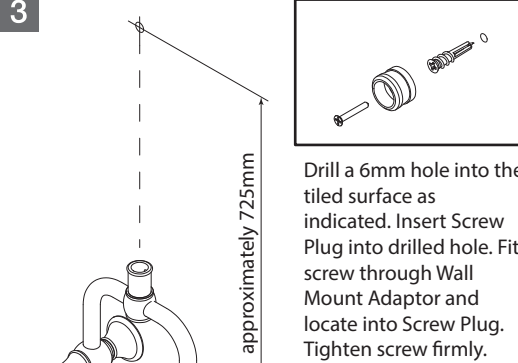
1
Apply TEFLON tape to the G 1/2" outlets



2
Locate Tap Assembly onto installed G 1/2" outlets. Using a spanner, tighten each side by half turns until both flanges are tightened firmly against the wall.

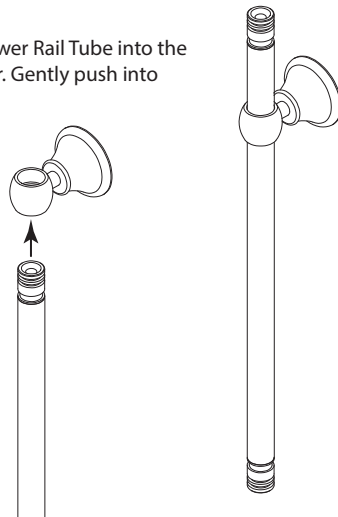


3

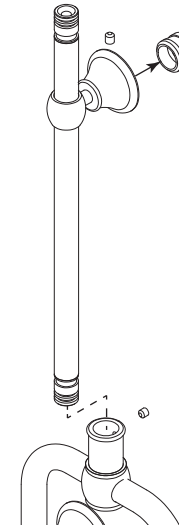


Drill a 6mm hole into the tiled surface as indicated. Insert Screw Plug into drilled hole. Fit screw through Wall Mount Adaptor and locate into Screw Plug. Tighten screw firmly.

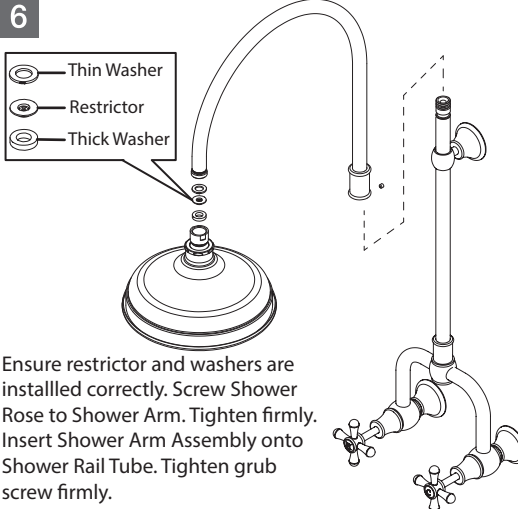
4
Insert Shower Rail Tube into the Rail Holder. Gently push into position.




5
Push Rail Holder flange onto the Wall Mount Adaptor. Insert Shower Rail Tube into top of Tap Assembly outlet. Tighten grub screws firmly.




6



Ensure restrictor and washers are installed correctly. Screw Shower Rose to Shower Arm. Tighten firmly. Insert Shower Arm Assembly onto Shower Rail Tube. Tighten grub screw firmly. Test and check for leaks



recommended working pressure
150-500 KPa



maximum hot water temperature
75 degrees

NOTE:

- If the pressure exceeds or is likely to exceed 550kpa, an approved pressure limiting device must be installed.
- Flush out all pipe work prior to installation.
- If the water temperature exceeds 75°C, an approved tempering valve must be fitted.
- Installation should comply with Australian standard AS3500.1 or relevant local authority requirements. Showers may not be suitable for use within:
- Gravity-fed water systems

- Pressure supply less than 150kPa;

NOTE: The 500kPa maximum water supply pressure does not apply to fire service outlets.

Failure to comply with the above may void all warranties.

WARRANTY:
Please refer to the full warranty statement enclosed with the product before installing. Or visit www.phoenixtapware.com.au to download a

MAINTENANCE AND CARE:

- Products should be cleaned with mild liquid detergent or soap and water.
- Do not use cream cleaners or citrus based cleaning products, as they are abrasive.
- Use of unsuitable cleaning agents may damage the surface. Any damage caused in this way will not be covered by warranty.

DISCLAIMER:
While we aim to ensure the specifications shown are correct at the time of printing, Phoenix Tapware reserves the right to make modifications without prior notice. Always use the physical product measurements for mark-ups and roughing-in as the line drawing shown may differ from the actual product over time.

*All measurements are shown in millimeters.