



Grace Neu 405 Round Vessel NTH

White with overflow

Product Image



Product Details

Code:	NO50MUL00
Brand:	Argent
Range:	Grace
Warranty:	10 Years*
Product Width:	405 mm
Product Depth:	405 mm
WELS:	N/A

Additional Features

Technical Specification

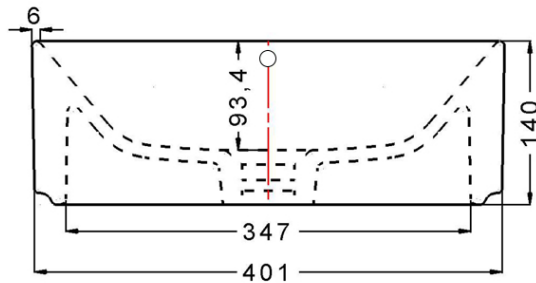
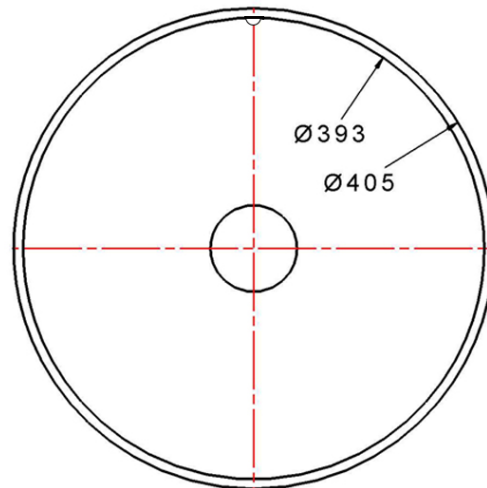
Required Product

Recommended Products

Series K316-D PUW 32mm 2 Piece

Additional Notes

- Thin Edge Lip Profile



*Please visit argentaust.com.au/warranty to view the full warranty

Note: All dimensions are in millimetres and are subject to normal manufacturing variations. Always use the physical product measurements for cut-outs and rough-ins as the technical details shown may differ from the actual product. Use acetic cured silicone sealant. Do not use epoxy type adhesives. Clean with damp cloth. Do not use abrasive cleaners, liquids or pastes.

