



Grace NEU Free Form Vessel

White

Product Image



Product Details

SKU:	NO30MUL009
Brand:	Argent
Range:	Grace
Warranty:	10 Years
Product Width:	410 mm
Product Depth:	165 mm
WELS:	N/A

Additional Features

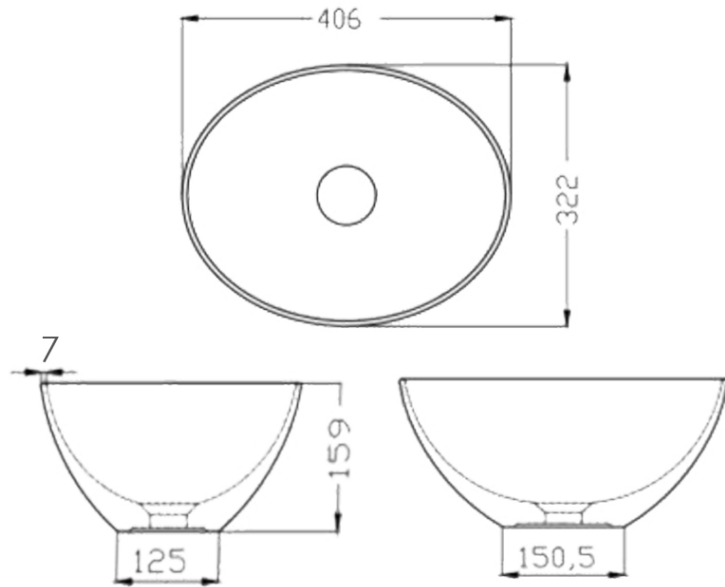
Required Product

Recommended Products
Series K316-D PUW 32mm 2 Piece

Additional Notes

* Thin Edge Lip Profile

Technical Specification



Note: All dimensions are in millimetres and are subject to normal manufacturing variations. Always use the physical product measurements for cut-outs and rough-ins as the technical details shown may differ from the actual product. Use acetic cured silicone sealant. Do not use epoxy type adhesives. Clean with damp cloth. Do not use abrasive cleaners, liquids or pastes.

