

# BOSTON DOUBLE

## Butlers Kitchen Sinks

### 845X455X255MM

#### SPECIFICATIONS

PRODUCT CODE MC84455

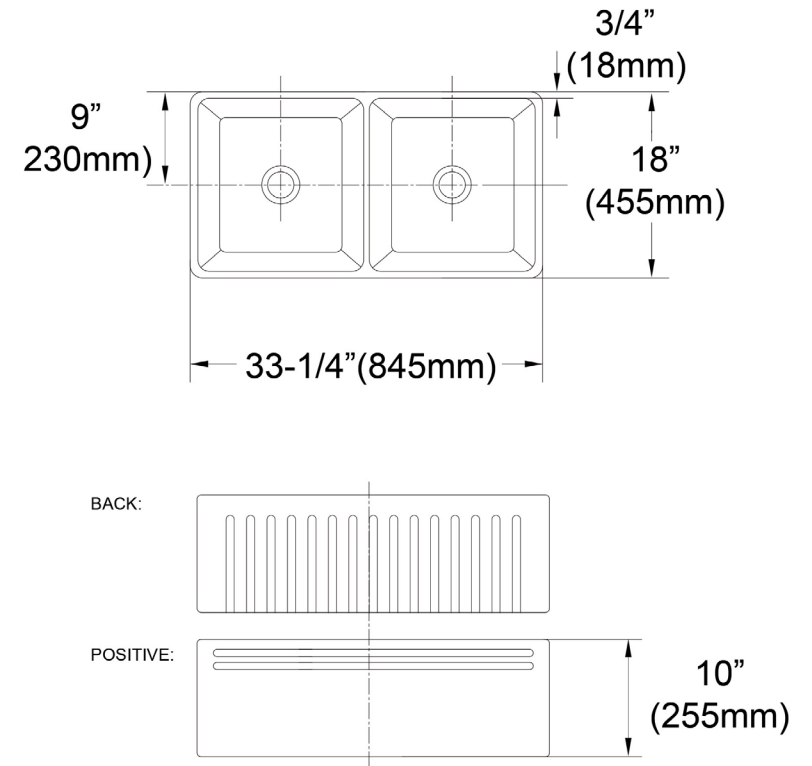
STYLE Reversible Basin with 2 different facings  
Fluted Design Front and Pencil Line facing

DIMENSIONS 845W x 455D x 255H

MATERIAL Ceramic

WATER CAPACITY 30L each bowl

Mounting Flush Mount, Top Mount, Undermount



#### SPECIFICATIONS

Kitchen Sink must be installed by licensed plumber in accordance with local regulations and standards.

Due to the nature of the material, dimensions should be used only as a guide, each sink can vary 1-2%. It is recommended that the sink is measured on site before cabinetry is built.



While we aim to ensure specifications are correct at the time of publication, OTTI reserves the right to make modifications without prior notice. Physical colour may vary from image shown.

All measurements are shown in millimetres, Always use physical product measurements for mark-ups and roughing-in as the technical drawing may differ from actual product received.