



# INSTALLATION GUIDE

## MOONLIGHT SHAVING CABINET

### IMPORTANT CONDITIONS

Please inspect thoroughly before installing to ensure that the product has not been damaged and is correct item to be installed.  
No claims for damage or incorrect items will be recognised after installation.

Device is for indoor use only.

This item/light must be installed in accordance with current AS/NZS wiring rules.

This device contains no serviceable parts.

If the supply cord is damaged it must be replaced by the manufacturer, its service agent or similar qualified persons in order to avoid potential hazard.

#### CONDITIONS:

1. Items must be installed by a licensed tradesperson only,
2. The installation of the product is in accordance with the instructions provided.



# LED MIRRORED SHAVING CABINET INSTALLATION

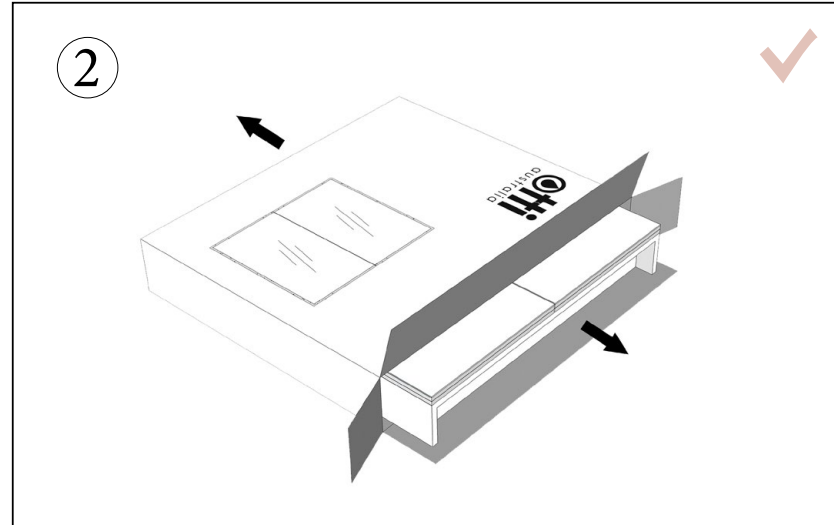
Notes: This device contains no serviceable parts.

If the supply cord is damaged it must be replaced by the manufacturer, its service agent or similar qualified persons in order to avoid potential hazard.

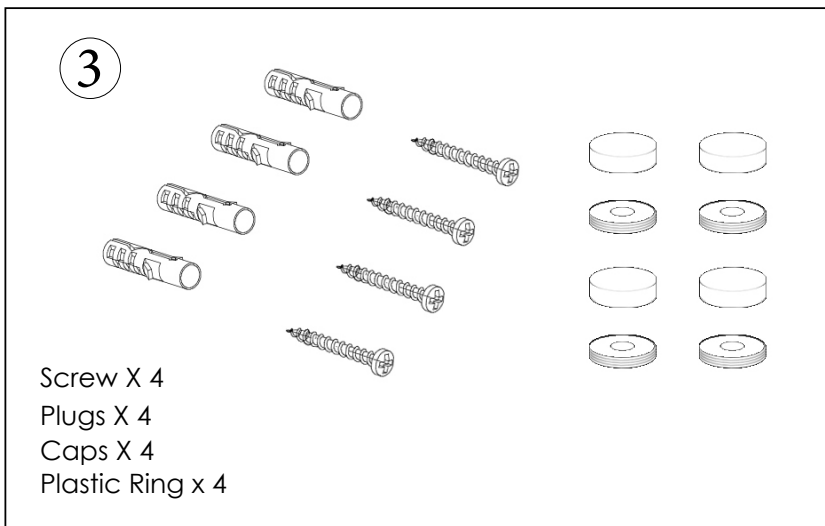
1. Check Products for any Damage.  
Do not install if any damage is found.



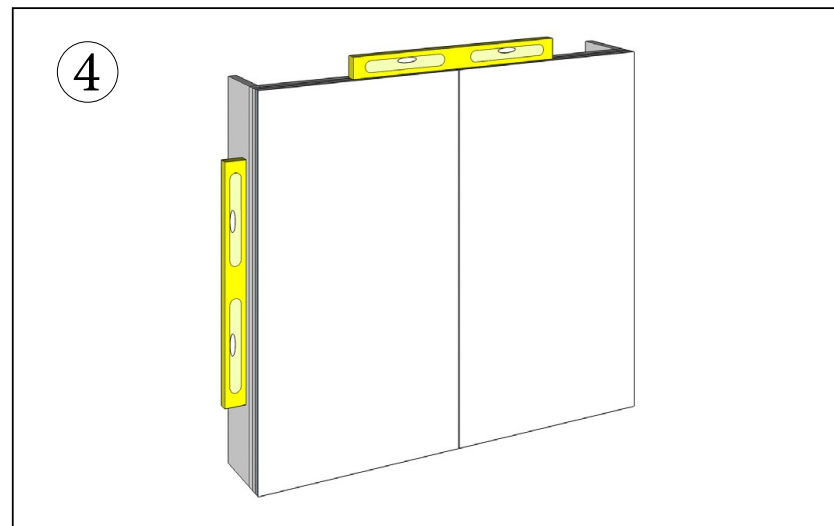
2. Lay the cabinet flat and remove carefully from packaging.



3. Remove all parts from packaging, check and prepare all parts for installation.



4. Ensure cabinet is level when storing and preparing for installation. Please note DO NOT allow cabinet corners to be placed on hard surface to avoid chipping or cracking of mirror corners.



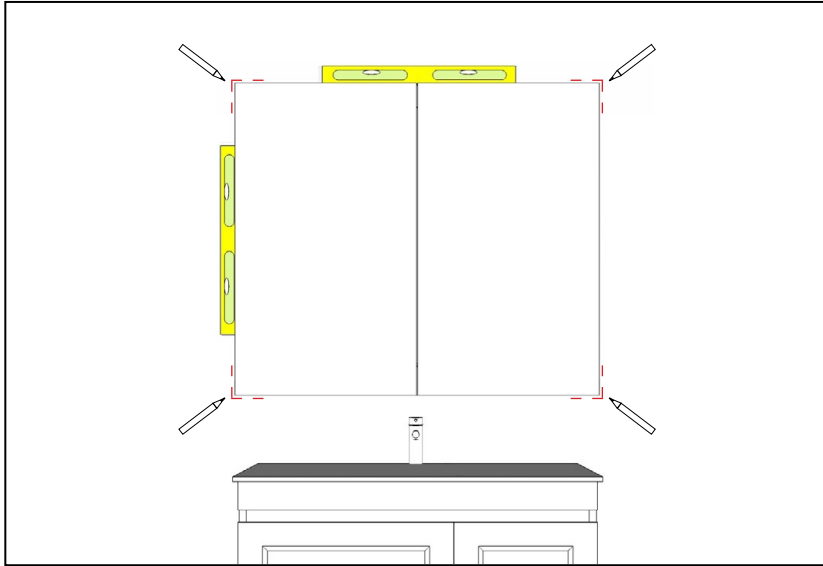


# LED MIRRORED SHAVING CABINET INSTALLATION

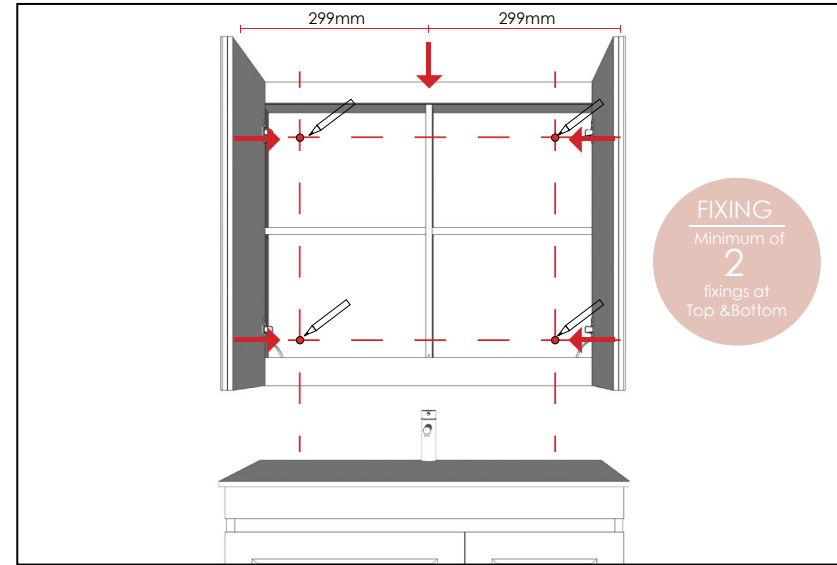
Notes: This device contains no serviceable parts.

If the supply cord is damaged it must be replaced by the manufacturer, its service agent or similar qualified persons in order to avoid potential hazard.

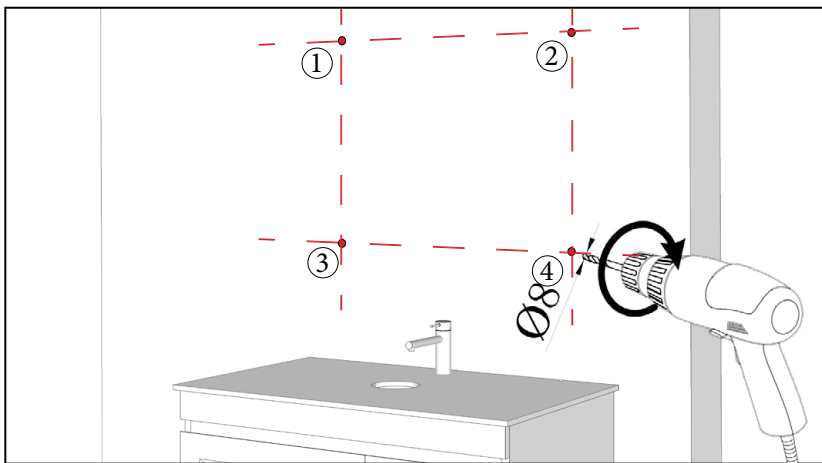
5. Mark out cabinet corners in the location you would like mirror to be placed at and ensure it is level.



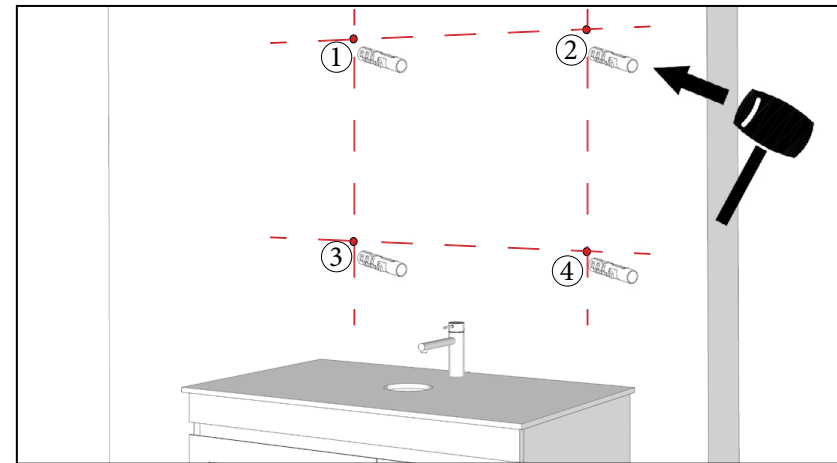
6. Mount cabinet to wall and mark out locations of drill holes that are pre-drilled, on the wall. Then remove cabinet from wall.



6. Drill holes for mounting screws provided, ensure these are drilled into supporting wall (through masonry, brick wall or noggins to support the cabinet load).



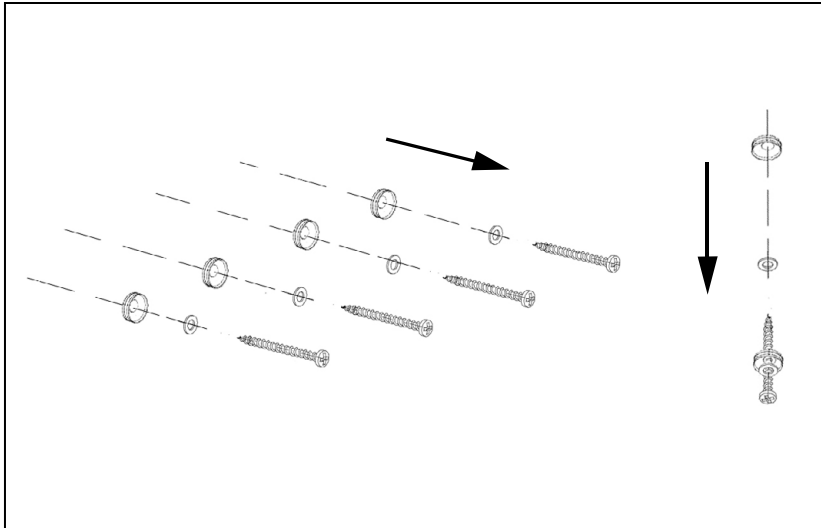
7. Hammer in plugs into the drill holes.



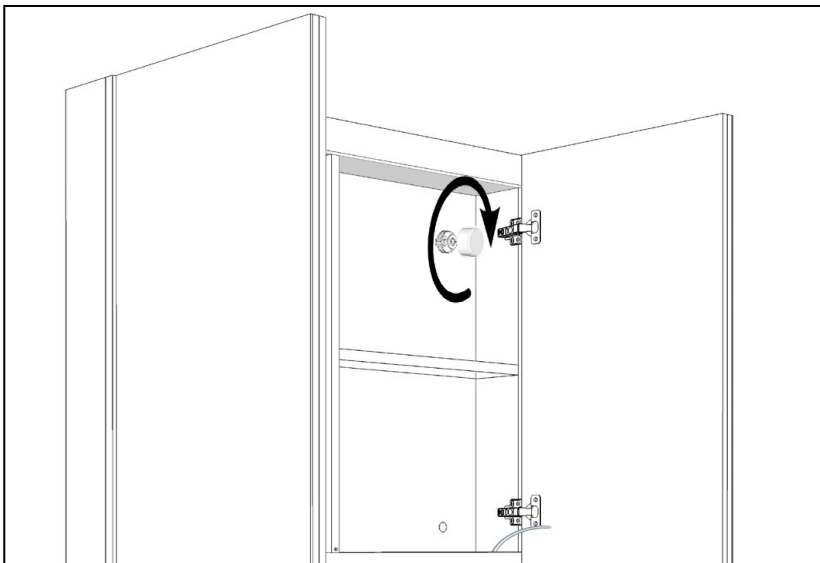


# LED MIRRORED SHAVING CABINET INSTALLATION

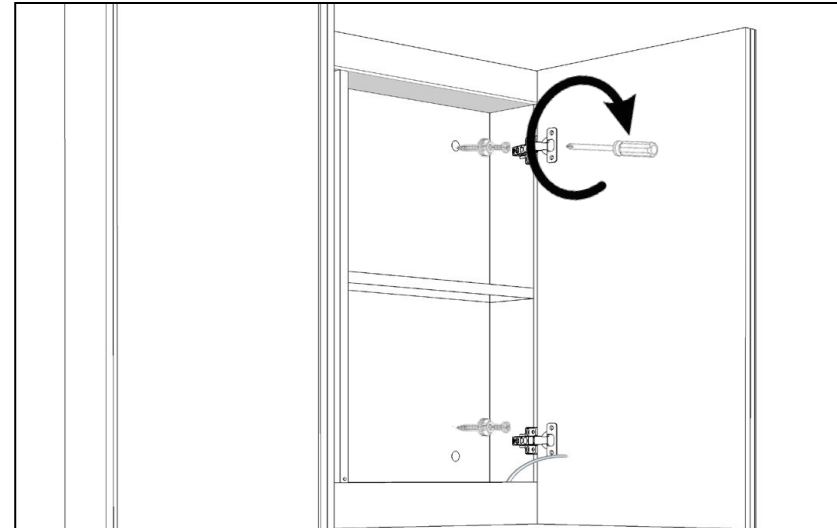
8. Assemble screws, rings, and parts for mounting.



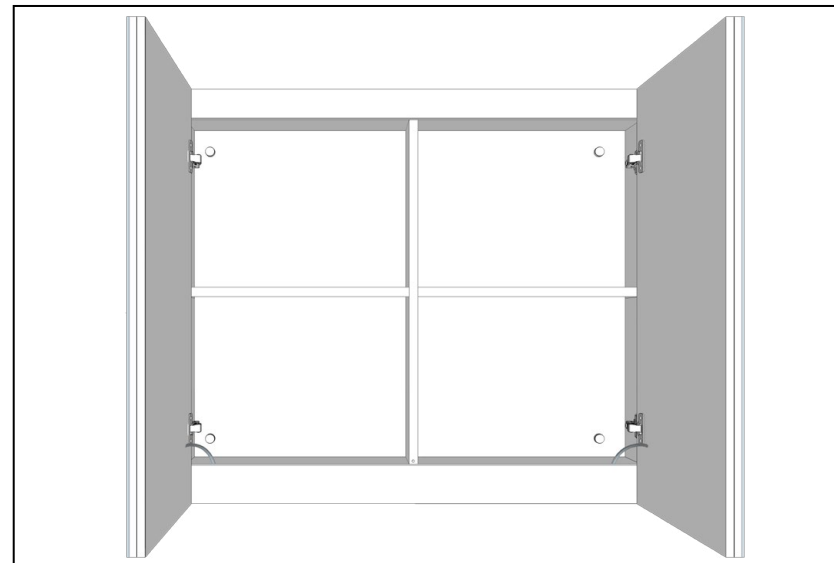
10. Add caps to conceal screws.



9. Mount cabinet to wall and install all screws and rings. Ensure all fixing points are secure and tightly screwed in.



11. Now that cabinet is installed, prepare electrical connection for the LED component.

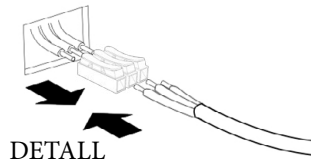
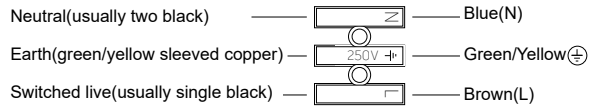




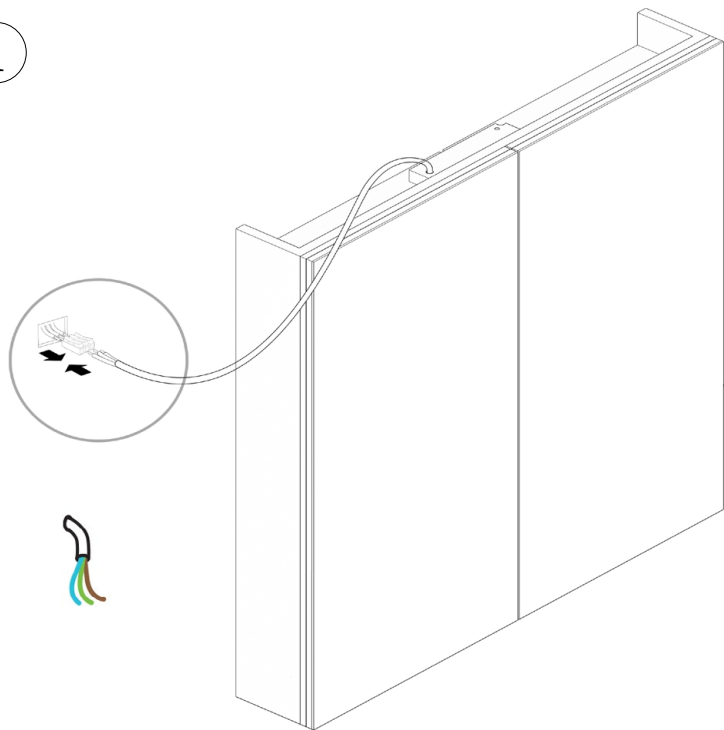
# LED MIRRORED SHAVING CABINET INSTALLATION

12. Connect your hardwire wall power source to the LED shaving cabinet using the connector housing provided.

## LED light Connectivity

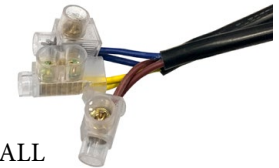
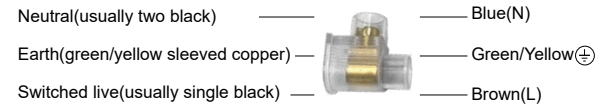


1

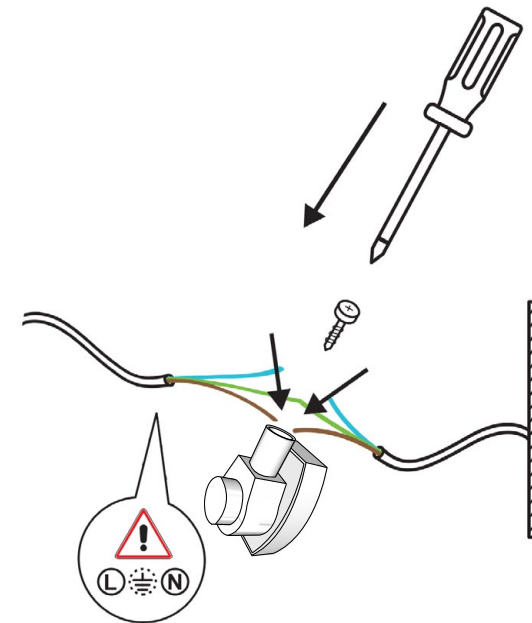


13. Electrician can supply and use alternative connection housing components also for a superior connection.

## Wiring from light fitting



2



**ONLY to be installed by a licensed electrician.**

Device is for indoor use only.  
This light must be installed in accordance with current AS/NZS wiring rules.  
This device contains no serviceable parts.  
If the supply cord is damaged it must be replaced by the manufacturer.