

kleenmaid

The best you can own. Since 1984

The dawning of a new era in domestic laundry appliances...

The Kleenmaid 12kg **heavy duty** top load washing machine and sensor controlled, 7kg vented dryer.





The Kleenmaid LWT1210 12kg top load, heavy duty washing machine introducing gentle pulse wash technology.



Heavy Duty Reliable Engineering

Imagine a washing machine with unique features that provide a better, gentler and more economical wash result. Kleenmaid's *Gentle Pulse Wash Technology* does just that.



The gentle pulse wash technology.

The multi-directional variable pulse impeller is the key to the efficacy of the Kleenmaid LWT1210. It creates a toroidal omni flow motion in the wash water that gently moves and cleans your wash throughout the washing machine. This ensures a complete and thorough result whilst avoiding damage to your fabrics.



When selected, **Intelli-Wash** automatically weighs your wash load and sets the wash parameters for an optimal result for your wash load and type, saving you time and effort.



The **Self Clean** programme does just that, it cleans the internal areas of your washing machine ensuring maximum hygiene.



The **Allergy wash** programme is designed to provide 50% more rinse and spin action over a normal wash. This assists in the removal of allergy aggravating detergent residues giving you peace of mind.



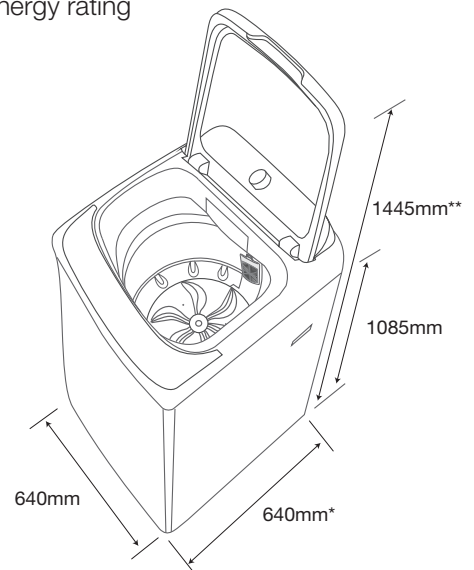
When you engage this function with a compatible wash programme **Speed Clean** can reduce the time of your wash by up to 20%.



The World's Most Wonderful Washing Machine



- Durability tested for the equivalent of up to 20 years normal usage
- Add and remove garment auto pause feature
- 16 wash programmes allowing mixed loads of colours and whites
- Easy to read digital wash cycle indicator
- Three temperature and four water level options
- The Intelli Wash system weighs the wash load to auto set the water and time parameters according to the weight of your wash load
- 35 minute rapid wash programme
- Soft close, easy view toughened glass lid for safety and convenience
- 3 star water rating
- 2 star energy rating



*The measurement from front of machine to the wall allowing for hoses is 684mm



The **Auto Out of Balance** system detects an out of balance wash load and corrects this by automatically redistributing the wash evenly within the machine.



The LWT1210 gives you **5 manual spin time options** from 0, 5, 7, 9, 11 minutes. This means you can select the best spin time option for your wash load requirements. The spin speed is a gentle 680-750 RMP depending on the wash load.



Ideal for ensuring only those who should be using the washing machine can do so.



The **delayed start** option allows you to run your wash programme at a time that suits you best.

The LDVF70 7kg Sensor controlled vented dryer

Intelligent, simple and very effective.

The LDVF70 dryer when installed with the LWT1210 washing machine creates an attractive coordinated pair with matching control panel design.

Four convenient drying programmes. There are four drying programmes which can be selected. One is simply set by time, being one hour. The other three are by cloth type, synthetics, cotton and mixed loads. When a cloth type is selected the LDVF70 sets the temperature and tumble sequencing best suited to the cloth type.



Having selected the drying programme you can personalise your drying by engaging the **Intelli-Dry function**. Intelli-Dry technology electronically senses the moisture level of your drying load and will complete the drying cycle as per the dryness level you have pre-set. There are three levels of dryness that you can select;

- **Ready to Iron** which retains an amount of moisture to aid in easy ironing somewhat like 'self steam'.
- **Ready to Hang** leaves enough moisture in the cloth to allow wrinkles to drop out.
- **Extra Dry** which presents your drying load completely dry and ready for folding and storage.



Anti-Wrinkle finishing is activated at the end of each drying cycle. The LDVF70 defaults to a 30 minute Anti -Wrinkle sequencing programme which intermittently tumbles your load in counter rotating bursts to avoid your drying from resting and causing wrinkles in the cloth. By pressing the Anti-Wrinkle button, you can extend the program to 120 minutes. Once the door is opened the Anti-Wrinkle function is deactivated.

The XL door. The XL door is 410mm in diameter and opens to 180° for easy loading and unloading.

Child lock safety. The child safety lock ensures only those who should be using the dryer can do so.

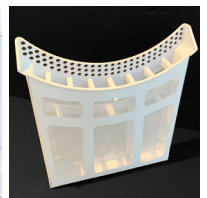
Mounting kit. Your LDVF70 can be floor or wall mounted. The unit comes with a wall mounting kit and an additional control panel decal for upside down installation.



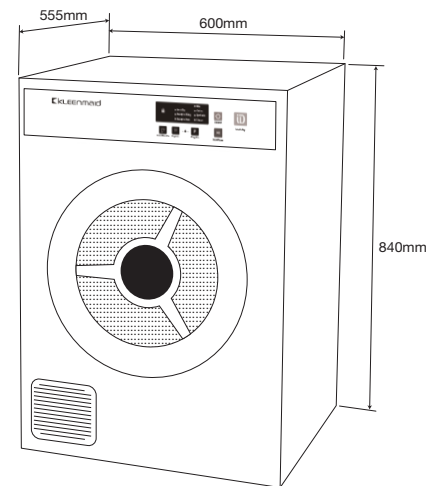
Dynamic drum



Easy to use control panel



Removable lint filter



Contact Us

KLEENMAID

The best you can own

204 Botany Rd, Alexandria NSW, 2015

02 9310 1207

E: support@kleenmaid.com.au

Compass Capital Services Pty Limited
trading as Kleenmaid ABN 96138214525

www.kleenmaid.com.au



Your 5 Year Warranty

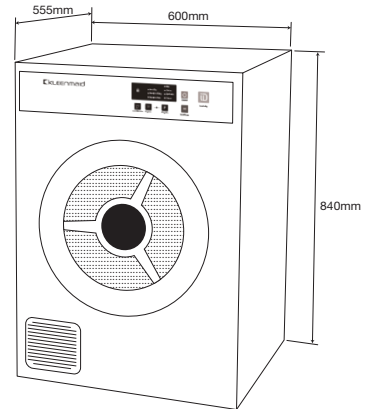
Kleenmaid's Washing Machine and Dryer are covered by our 5 year, full parts and labour warranty, and are supported by our highly skilled national service network.

Sensor Controlled Vented Dryer 7kg



Model: LDVF70

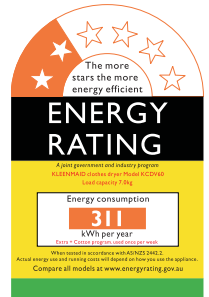
- Wall mountable. Includes premium wall mounting kit
- Additional control panel decal for upside down mounting
- 7kg capacity
- Front air venting only
- Door open angle 180°
- Inner door diameter 410mm
- Drum volume 97 litre
- Intelli-Dry electronically controlled drying with 3 dryness levels, ready to iron, ready to hang, extra dry
- Touch control with LED display indicators in red
- Cabinet colour white
- 4 programmes, 1 hour, synthetic, cotton, mix
- Start and Pause
- Anti-wrinkle finishing
- Child lock
- Energy rated 2 star
- Noise level 69 dbA



Anti-Wrinkle Finishing



Child Safety Lock



Intelli-Dry



These dimensions are provided as a general guide only and should not be used for designing or constructing cabinetry or for installation.

To obtain full installation instructions for this appliance go to kleenmaid.com.au and click on User Care Manuals, top right.

Fineline: 0267155

J12409_01

Level 2, 204 Botany Road, Alexandria NSW, 2015
P: 02 9310 1207 • E: support@kleenmaid.com.au
www.kleenmaid.com.au

kleenmaid
The best you can own