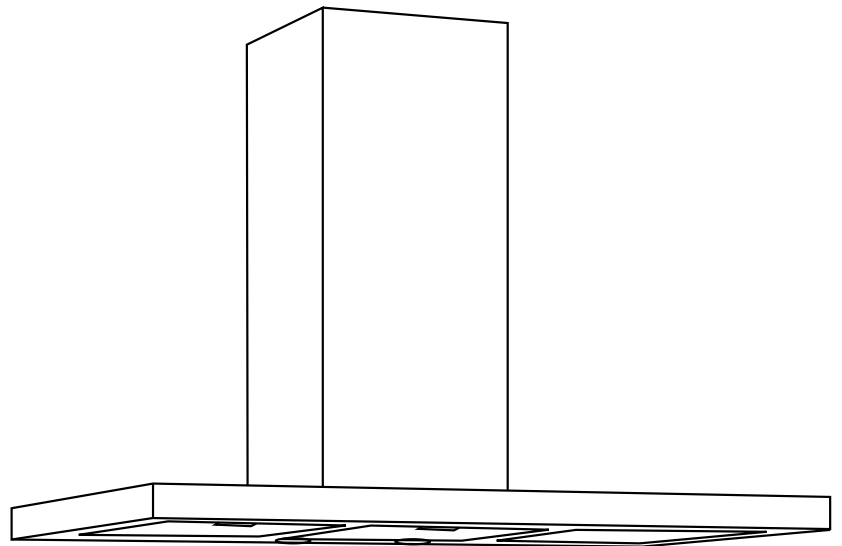


WM-LIN9S  
KLS-ALBW9S  
KLS-ALBB9S



---

## >> INDEX

---

Welcome	3
Important Safety Information	4
Description	7
Operation	8
Cleaning and Maintenance	10
Installation	14
Condensation Information	28
Troubleshooting	29
Technical Specifications	31
Disclaimer	34

---

## >> WELCOME

---

Thank you for purchasing this Schweigen IN appliance.

To achieve the optimal performance from your appliance, and to avoid the risk of accident or damage, it is essential to read this manual before installation and first time use.

This guide contains important information on the use and maintenance of the appliance, as well as important safety notes.

Your appliance has been thoroughly checked for safety and functionality before being packaged and leaving the manufacturer.

**Please keep this instruction manual in a safe place so you can refer to it at any time.**

### **IMPORTANT!**

The appliance should only be operated when you have read and understood this manual thoroughly.

The appliance can be only used for the purpose for which it was designed. Any other use is deemed improper and can be dangerous.

Installation and maintenance of electrical appliances must only be carried out by qualified and authorised professionals familiar with Australian Appliance Industry regulations.

Upon collection or delivery of your appliance, any damage or defects **must** be reported within **48 hours** to your retailer or Schweigen Customer Service, in order to **recognise any claim**.

The manufacturer reserves the right to introduce product improvements, which do not affect the operation of the appliance.

### **YOUR STATE REGULATORY AUTHORITY**

Different Australian states have varying legislative requirements for the installation of rangehood ducting. Some will insist on ducting being vented externally (i.e. not in to the ceiling cavity); others will not. It is imperative that you check with your state building authority and/or private certifier to confirm their position.

---

## >> IMPORTANT SAFETY INFORMATION

---

Please read the instructions carefully. Only then will you be able to operate your appliance safely and correctly. Retain the instruction manual for future use or for subsequent owners.

Check the appliance for damage after unpacking it. Do not connect or install the appliance if it has been damaged in transport.

### **Any damage must be reported within 48 hours.**

There must be adequate ventilation in the room when the rangehood is used at the same time as appliances burning gas or other fuels.

The air must not be discharged into a flue that is used for exhausting fumes from appliances burning gas or other fuels.

Air exhaust systems must be installed in accordance with local and federal laws.

There is a fire risk if regular cleaning is not carried out in conjunction with the instructions.

Do not flambé (ignite food while cooking) under the rangehood. This will damage the rangehood and will void warranty.

Do not ignite burners that give off intense uncontrolled flames beneath the rangehood.

Flames beneath the pan must be contained at all times and cannot exceed the width of the pan in use.

Do not leave any packaging material (bags, corner brackets etc.) within reach of children.

This appliance is not intended for use by person/s (including children) with reduced physical, sensory or mental capabilities, or lack of experience and/or knowledge. Unless, the person is given supervision or instruction concerning the safe usage of the appliance by person/s responsible for their safety. Children must be supervised to ensure that they do not play with the appliance, it is not a toy.

Accessible parts may become hot when used with cooking appliances.

Before performing any cleaning or maintenance, disconnect the rangehood from the mains power, using the respective mains or sector switch, or by unplugging it.

Do not use the rangehood without the grease filters.

Keep the grease filters clean and respect the recommended cleaning frequencies.

It is forbidden to use the rangehood as an aspirator.

---

## >> IMPORTANT SAFETY INFORMATION

---

### BEFORE INSTALLATION

We recommend this appliance be installed or repaired by a qualified Schweigen Home Appliances technician.

Please see our website [www.schweigen.com.au](http://www.schweigen.com.au) for a list of our recommended installers.

It is dangerous to modify any part of this appliance. Modification of any kind will immediately void the warranty.

The manufacturer declines all responsibility in case of failure to adopt proper safety measures.

Ensure the location in which this appliance is installed, has good and permanent ventilation.

Please consult local laws and regulations and install in accordance.

Please use an earthed electrical connector that coincides with relevant local laws and regulations.

Check that the power voltage in your area corresponds to the appliance voltage indicated on the rating label.

This appliance must be connected to an electrical supply that has a **grounded connection**.

Check that the indicated instructions and local regulations are met and carried out by a qualified technician, using materials that are compliant with the applicable legislation.

Schweigen will not be responsible for any installations executed by non-qualified technicians that fail to heed the applicable legislation on electrical safety.

The electrical technical data can be found inside the rangehood, after removing the grease filters.

The power cables supplied are already connected internally and emerge from the rangehood near the air outlet.

### **Before installing the electrical connections, you should:**

Verify that the indicated electrical data coincides with the voltage values and frequency of the electrical circuit in the house where the rangehood is to be installed.

Check that the premises has electrical protection against short circuits and electrocution.

Before commencing maintenance the current must be turned off using the double-pole switch (mains power switch). The power can only be turned on for normal use, once the operation has been completed.

Ensure the supply cord is not exposed to heat, chemicals or sharp objects. If the supply cord is damaged, it must be replaced by the manufacturer, service agent or a similarly qualified person in order to avoid a hazard.

---

## >> IMPORTANT SAFETY INFORMATION

---

### PRODUCT USE

This product is designed for household use and should not be used for commercial applications.

After use, always ensure that all controls are in the "OFF" position.

When frying with a gas flame, take particular care not to allow the oil or grease in the pan to catch fire. (Flambé)

### DUCTED OR RECIRCULATING?

Ducted rangehoods (or extractor rangehoods) extract the cooking fumes from the kitchen and expel them from the space via ducting. Good design practice would always see a fire-rated ducting system extend to the house exterior, rather than to the ceiling cavity. When a rangehood is ducted only into the ceiling space, the collection of humidity and grease can present very real health issues and fire hazards.

Recirculating (or non-ducted or filtered) rangehoods extract cooking fumes and pass them through filters. As the name would suggest, they recirculate this air back into the room. Recirculating rangehoods are not as effective as removing fumes from a kitchen space, but they are sometimes the only option due to budgetary or building constraints. Your client should be made aware of the requirement to change and clean filters on a regular basis for the optimum efficiency of air filtering.

### MAINTENANCE AND SERVICE

The rangehood surface should be cleaned with soft cloth and non-corrosive detergent. Do not leave the rangehood wet after cleaning or use, please keep rangehood dry.

**Important:** Never attempt to repair this appliance by yourself. Always refer to a qualified Service Technician.

Always switch off the electricity and unplug the connection before conducting maintenance or cleaning.

### ELECTRICAL CORD

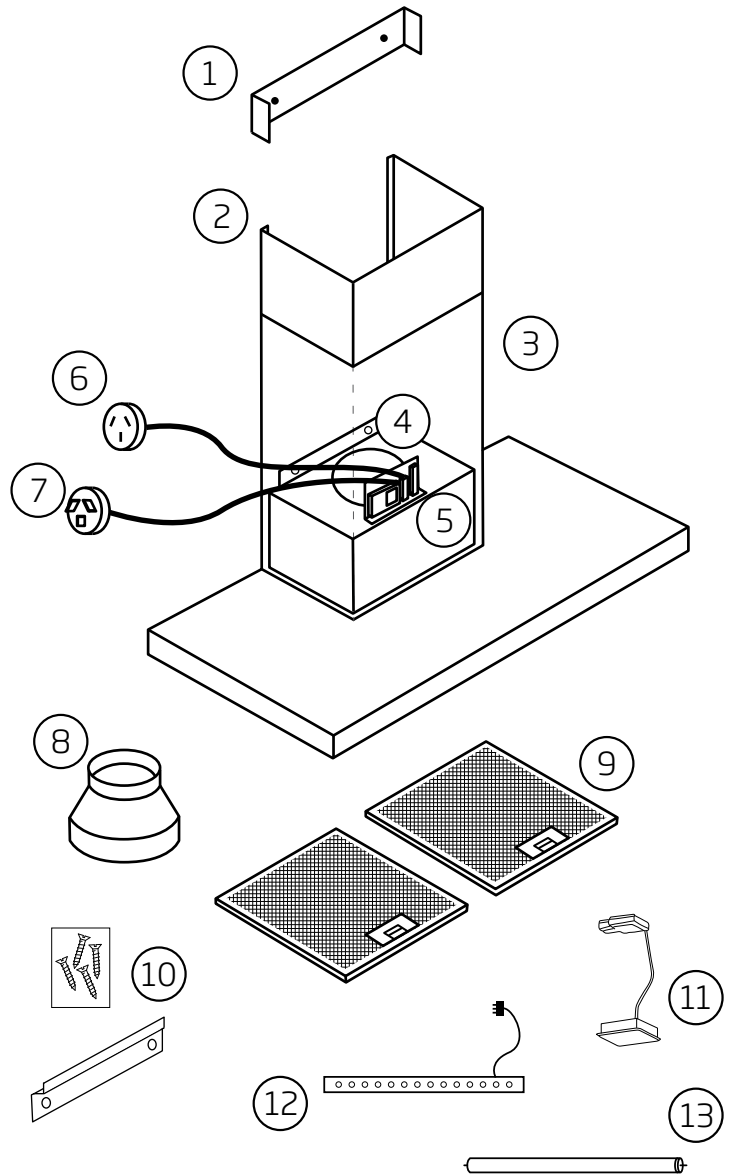
Ensure the supply cord is not exposed to heat, chemicals or sharp objects. If the supply cord is damaged, it must be replaced by the manufacturer, service agent or a similarly qualified person in order to avoid a hazard.

## >> DESCRIPTION

### Rangehood

1. Flue Wall Mounting Bracket
2. Extension Flue
3. Main Flue
4. Single Outlet 200mm
5. PCB (computer) Board
6. Connect to the Isodrive® motor system
7. Male Plug (Connect to Mains Power 240V 10 Amp)
8. Reducer (For Isodrive® 650 motor only)
9. Filters
10. Screw Pack and bracket
11. LED light globe
12. LED strip
13. Fluorescent tube

**NOTE:** Filter and light type quantity may vary from model to model.



---

## >> OPERATION

---

### Electronic Controls

#### Model WM-LIN9S.

The rangehood has a 4-speed electronic keypad.

Speed control usage suggestions:

- Low speed for simmering.
- Medium speed for light cooking.
- High speeds for heavy frying or heavy cooking.

To obtain the best performance, switch the rangehood on a few minutes prior to cooking and leave it running for at least 10 minutes after you have finished cooking.

The buttons have the following functions:

**A.- Timer:** When this function is activated, the blue light will flash on the timer button. The rangehood continues to operate for 10-15 minutes at the required speed and then automatically switches the motor off.

**B.- Increase speed:** This button increases the aspiration speed. When at maximum speed, the blue light will flash.

**C.- ON / OFF:** This button turns the rangehood on and off. The rangehood will always turn on at the same speed at which it was turned off.

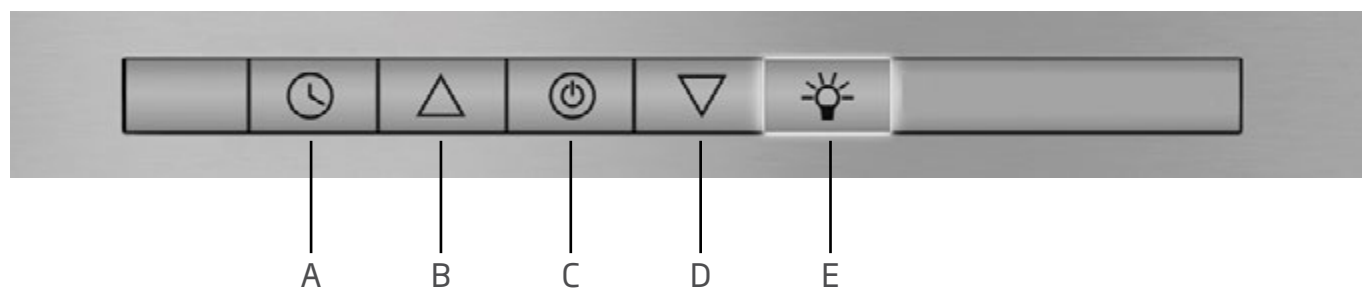
**D.- Reduce speed:** This button reduces the aspiration speed. When in operation, the low speed button will be blue.

**E.- Light:** Press this button to turn the lights on and off. When the lights are operating, the light button is blue.

This rangehood has a device that lets you know when the grease filters must be cleaned.

When the light button (**E**) flashes, this means the filters must be washed (usually after 40 hours of operation).

When the filters have been washed and re-mounted, hold the light button (**E**) down for a few seconds to reset it and return the counter down to zero.





---

## >> OPERATION

---

### Electronic Touch Controls

#### Models KLS-ALBW9S and KLS-ALBB9S.

The rangehood has a 4-speed electronic keypad.

Speed control usage suggestions:

- Low speed for simmering.
- Medium speed for light cooking.
- High speeds for heavy frying or heavy cooking.

To obtain the best performance, switch the rangehood on a few minutes prior to cooking and leave it running for at least 10 minutes after you have finished cooking.

The buttons have the following functions:

**A.- Light switch:** Press this switch to turn the lights on and off.

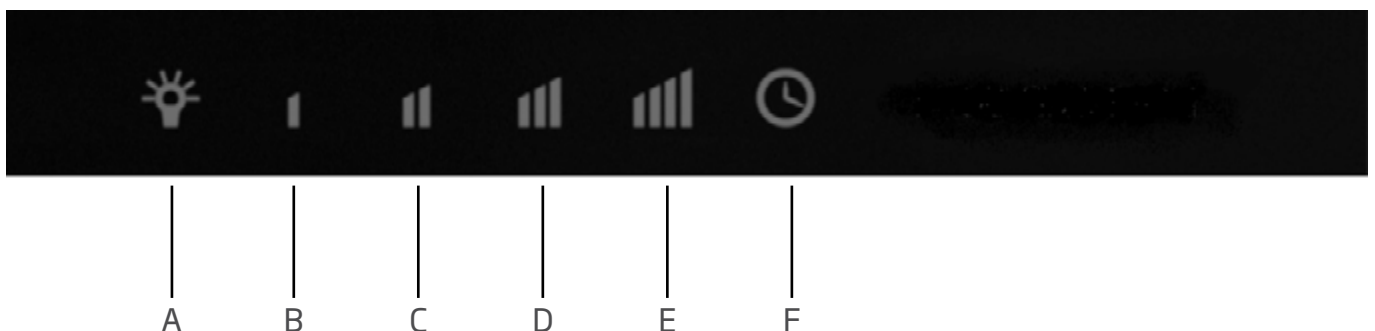
**B.- ON / OFF / button - speed one:** This button turns the rangehood on and off. The rangehood starts to operate at speed one.

**C. D. E.-** Speeds 2, 3 and 4, respectively.

**F.- Timer:** When the timer mode is in operation, the timer button light will remain on. When this button is pressed, the rangehood will continue to operate for 10-15 minutes at the required speed, and then switch off automatically.

This rangehood has a device that lets you know when the grease filters must be cleaned. When the timer button (**F**) flashes, this means the filters must be washed (usually after 40 hours of operation).

When the filters have been washed and re-mounted, hold the timer button (**F**) down for a few seconds to reset it and return the counter down to zero.



## >> CLEANING AND MAINTENANCE



### WARNING

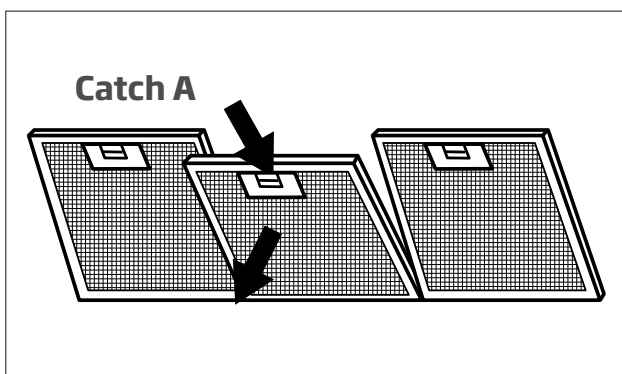
Always switch off and disconnect power to the rangehood before cleaning. The manufacturer is exonerated from all responsibility in the event of fire due to poor maintenance of the filters and rangehood.

Cleaning and user maintenance shall not be made by children without supervision.

### FILTERS

- For this appliance to function effectively, regular maintenance is a must.
- The function of the filter is to absorb the grease particles emitted during cooking.
- Blocked filters and heavy oil deposits restrict airflow and may cause the motor to overheat and become a fire hazard.
- Filters should be cleaned every 3-6 weeks or after 40 hours of use.
- Disconnect the electrical connection before any maintenance or cleaning processes are carried out.
- In ceiling-mounted rangehoods, the doors or glass must be opened before accessing the filters.
- To remove the filter, press 'Catch A' towards the rear of the rangehood (removing the pins from the front guide), ease down slightly and remove. To replace, perform the same operation but in reverse, see figure 1.

Figure 1



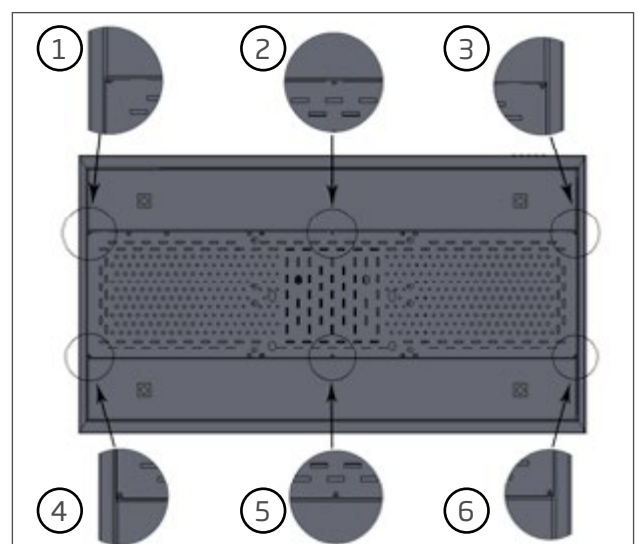
- If your model is equipped with the Balanced Aspiration System periodical cleaning is required. The Balanced Aspiration plate can be removed by taking out the 6 screws shown in figure 2. Please make sure it is fully dry before installing back to the rangehood.
- For an induction cooktop, please aim to clean the filters at least every 10 days, depending on frequency of use.
- The filters can be washed by hand or in the dishwasher

**Washing by hand** - Immerse the filter in hot water and a suitable detergent, when clean, rinse with plenty of hot water.

**Dishwasher** - Put the filter in the dishwasher and select a short program at low temperature.

**NOTE:** The colour of the metal mesh filters may change after several washes. This is normal and it is not necessary to replace the filters.

Figure 2 Balanced Aspiration Plate



---

## >> CLEANING AND MAINTENANCE

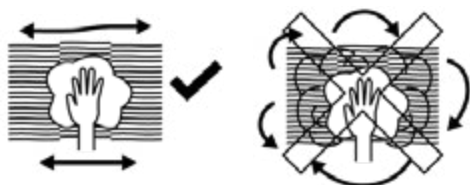
---

### SURFACES

The surface of the rangehood can be cleaned with warm soapy water and a soft sponge / cloth.

- Never use abrasive detergents, scouring pads, steel wool or solvents on ANY part of this appliance.
- Rinse with clean water and ensure that the appliance is completely dry after cleaning.
- For better results, you can use high quality cleaning and protection products (eg. Steel Kleen) to clean your rangehood.
- Always make sure the appliance is completely dry after cleaning and never leave wet, this may cause irreparable damage.

It is important to follow the direction of the surface grain with the cloth (refer to figure below).



Do not pour any liquid directly onto the rangehood, apply to a soft cloth first.

The cloth must have no buttons, zips or fasteners that can scratch the surface.

It is strictly forbidden to use chemical solvents, aggressive, grainy or abrasive products, naphtha, alcohol or similar products that could damage the surface of the rangehood.

The manufacturer will not be held responsible for functional or aesthetic damage caused by using inadequate cleaning methods.

### Cleaning the Interior

Clean the interior of the rangehood with a damp cloth and a neutral detergent or denatured alcohol.



#### WARNING

Do not use denatured alcohol on the exterior of the rangehood. Do not clean the electric parts or the motor with liquids or solvents.

## >> CLEANING AND MAINTENANCE



### WARNING

Always switch off and disconnect the power cord before replacing any light bulbs. Failure to do so may cause serious injury. Please be aware that the light bulb will retain heat for a short period of time after being switched off.

Your rangehood may have multiple light types, please refer to the pictures below for light replacement instructions.

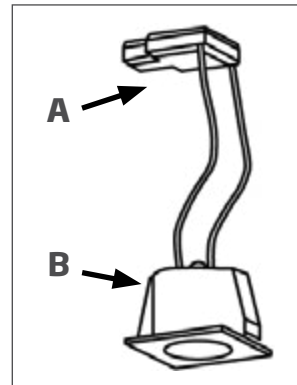
### TYPE 1 (LED Spot) & 2 (GLED Square):

#### REPLACING THE LED BULB

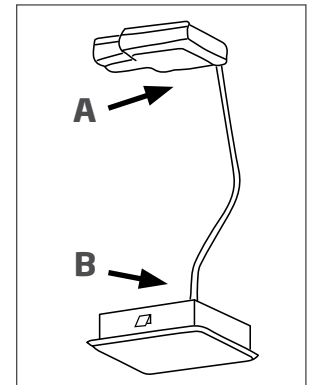
The life span of an LED bulb is at least 10 times that of a halogen bulb. If the globe needs to be replaced, proceed as follows:

1. Unplug the respective connector (A).
2. Press the tabs (B) inside the rangehood.
3. Remove the LED.
4. Put in the new LED and reinstall, as above, but in reverse order.

#### Type 1 – LED Spot



#### Type 2 – GLED Square



## >> CLEANING AND MAINTENANCE

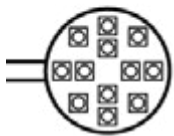
### **TYPE 3 (Halogen G4HD, LED G4): REPLACING THE HALOGEN OR LED BULB (MAX 20W, 12V)**

1. Press on the indicated zone "push" (1)
2. Open the light cover to an angle of 90°, DO NOT force past 90°.
3. Insert a new 12V halogen bulb as indicated (2) and (3), 50W maximum.
4. Close the light cover by pressing the part where it says "push" (1), until it clicks shut.

**NOTE:** Never handle the glass of the lamp with bare hands. Use a cloth or wear gloves when handling the bulb to avoid contact with skin.

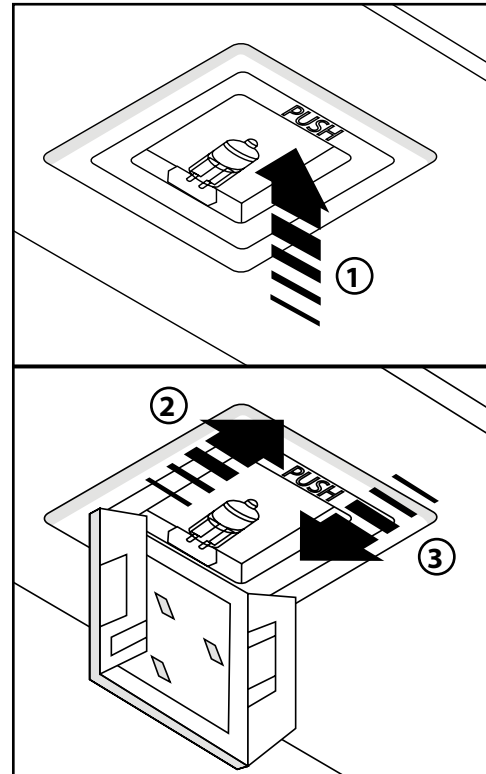


Halogen Bulb



LED Bulb [Optional]

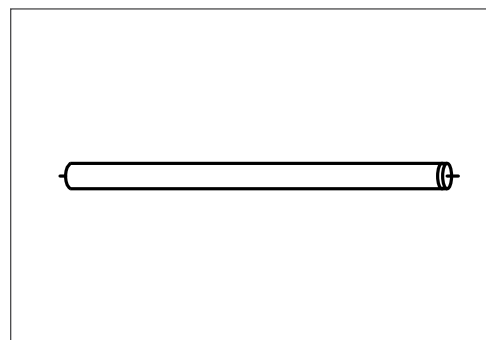
### **Type 3 – Halogen G4 HD, LED G4**



### **TYPE 4 (Fluorescent TLS FBT): REPLACING THE FLUORESCENT TUBE**

1. Remove the filters and the Balanced Aspiration plate by taking out the 6 screws, see page 17.
2. Remove the top section by removing the 4 screws at the front and loosening the 3 inner screws.
3. Remove the fluorescent tube.
4. Insert the new tube as explained above but in reverse order.

### **Type 4 – Fluorescent TLS FBT**



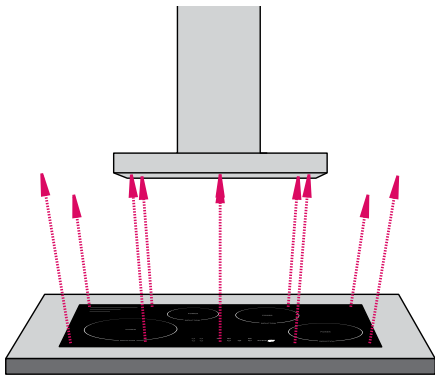
---

## >> INSTALLATION

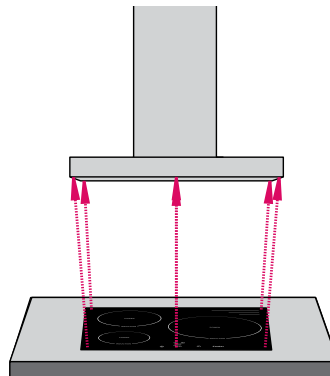
---

### RANGEHOOD SIZE VS COOKTOP SIZE

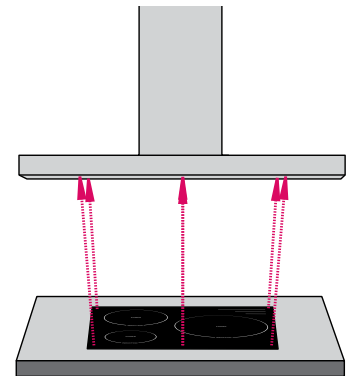
In addition to the size, the height of the rangehood above the cooktop is important to obtain the best performance.



**INADEQUATE**  
Rangehood smaller than  
cooking zone



**ADEQUATE**  
Rangehood same size as  
cooking zone



**OPTIMAL**  
Rangehood larger than  
cooking zone

---

## >> INSTALLATION

---

### MOUNTING INSTRUCTIONS

It is **STRONGLY RECOMMENDED** that the rangehood be installed centrally over the cooktop. This will greatly improve its performance.

Minimum height from the hob top surface to the underside face of the rangehood:

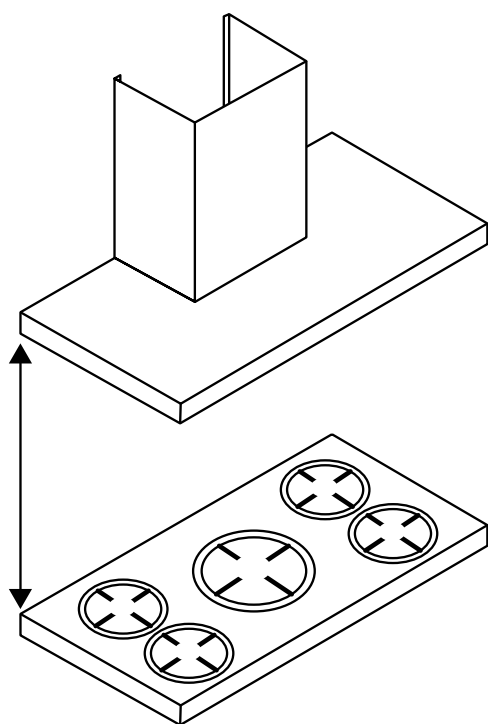
- 650mm electric cooktop
- 650mm gas cooktop

Any installation above 800mm will compromise the extraction performance.

**Note:** If the instructions for the gas cooktop specify a greater distance, this must be taken into account.

### RECOMMENDED INSTALLATION HEIGHT FOR INDUCTION COOKTOP

To help avoid condensation, particular to cooking with an induction cooktop, Schweigen recommends a height of 700-750mm. Refer to page 22 for further information.



**\*IMPORTANT:** If the user decides to install the rangehood at a distance of less than minimum height above the cooking surface, Schweigen declines responsibility for damages suffered by the rangehood due to excess heat or damage to objects, people and others caused directly or indirectly by a malfunction, breakage or fire.

Measurements are from the top of the trivets to the lowest part of the rangehood, including the button controls.

### IMPORTANT

Please check all State and Federal Laws in relation to the minimum-maximum heights, regulations concerning the expelling of air and install your rangehood in accordance with local laws and regulations.

---

## >> INSTALLATION

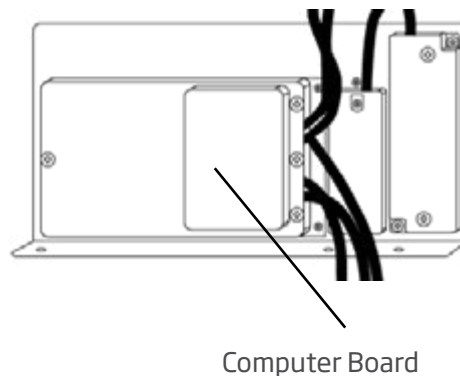
---

### ATTACHING THE COMPUTER BOARD AND WIRING BRACKET (CERTAIN MODELS ONLY)

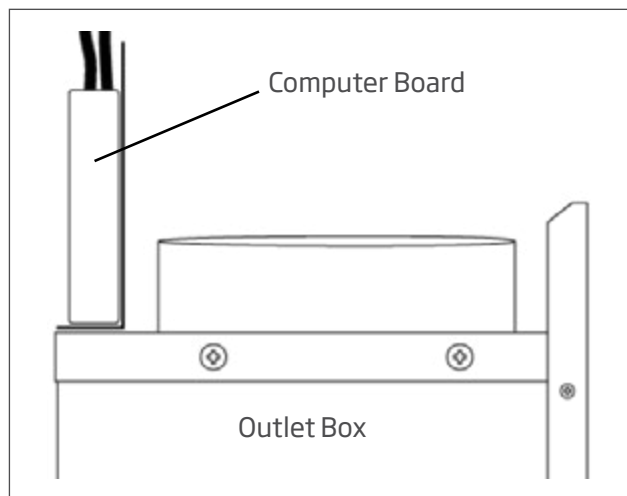
Before you install the rangehood, you may need to connect the computer board and wiring bracket to the main body of the rangehood.

1. Attach the computer board to the outlet box using the screws provided.
2. Position the computer board facing out from the outlet (see figure A), align the holes when attaching the computer board (figure B) and secure using screws provided.

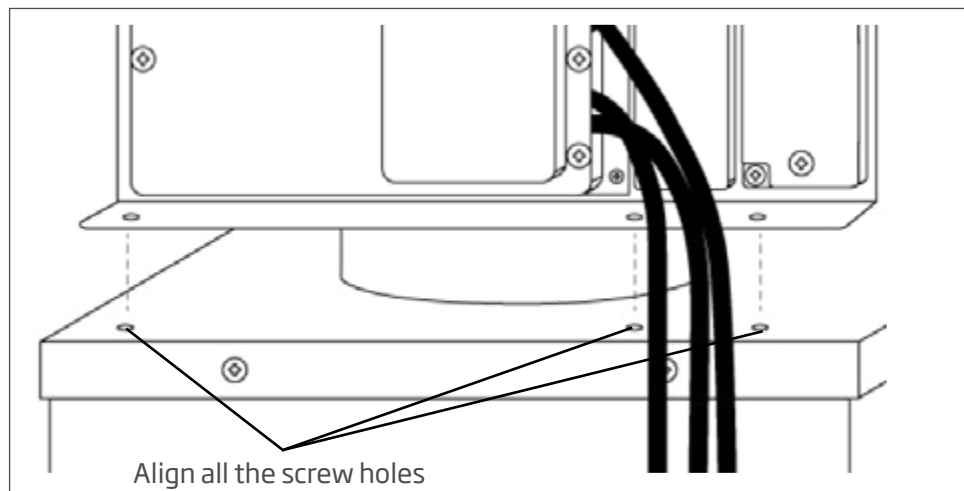
**NOTE:** Some of the models only have two screw holes.



**Figure A**



**Figure B**

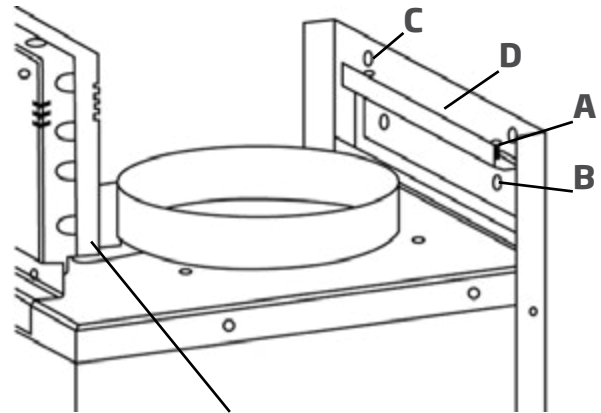




## >> INSTALLATION

### INSTALLING THE RANGEHOOD

- A – Rangehood levelling screw points
- B – Main support bracket, wall screw points
- C – Second rangehood screw points
- D – Main support bracket

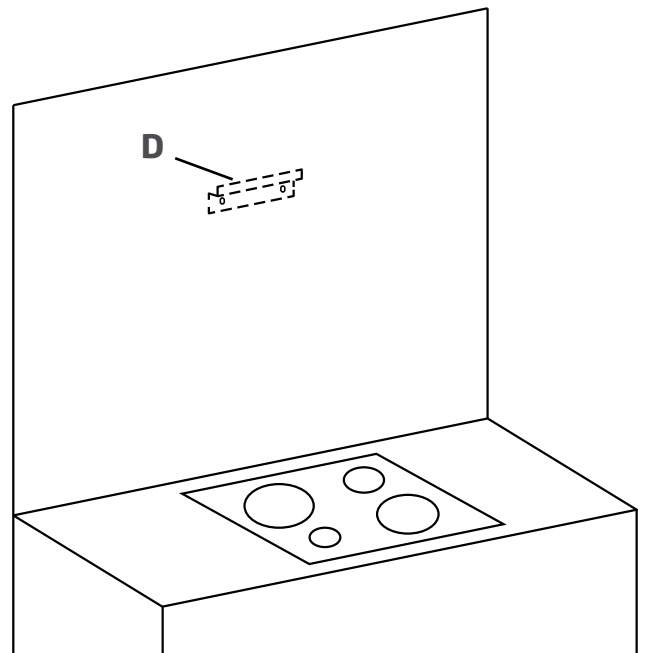


**NOTE:** Some models might need the computer board and wiring bracket to be attached, see page 10 .

#### Step 1

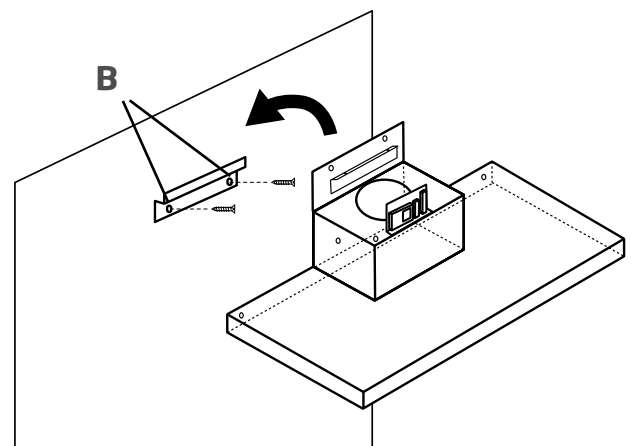
Measure the position on the wall where the bracket is to be inserted following the height recommendations indicated in the mounting laws and regulations section.

Draw a line and mark the position of the holes that must be made, make sure it is level and fixed (D) to a supporting beam.



#### Step 2

Once secured using the screws (B), hang the rangehood onto the main support bracket.

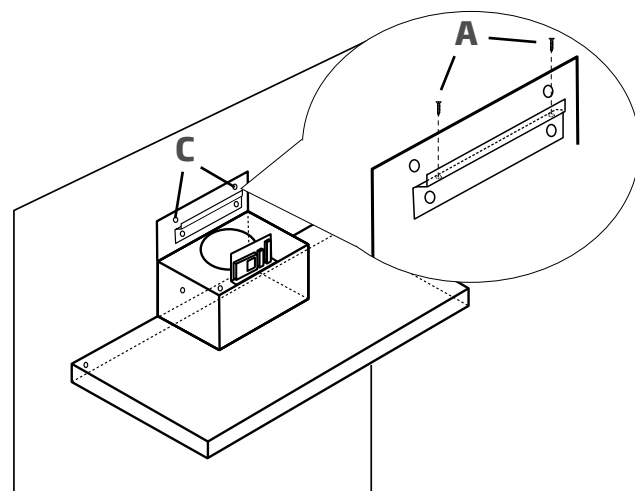


## >> INSTALLATION

### Step 3

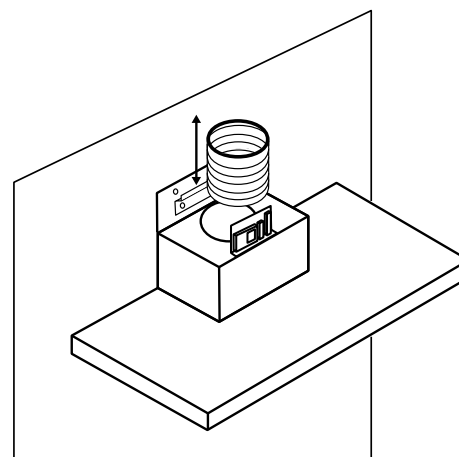
Using a leveller, level the rangehood using screws (A).

Once levelled, secure it firmly to the wall (C) using the appropriate screws.



### Step 4

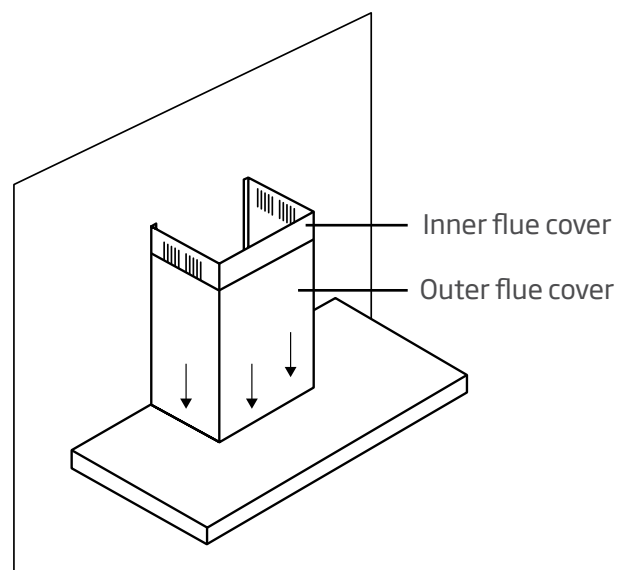
Feed through and secure the flexi ducting from the rangehood outlet to the Isodrive motor.



### Step 5

Place flue covers onto the rangehood and adjust the height of the flue covers by sliding the outer flue cover down.

**NOTE:** The outer flue cover section alone will not cover the entirety of the control box and PCB computer board.



## >> INSTALLATION

### Step 6

#### Install the wall flue bracket.

1. Fold both ends to 90° as shown figure 1.
2. Install the bracket to the wall at the correct height, see figure 2.
3. Attach flue cover to the bracket, see figure 3.

Figure 1

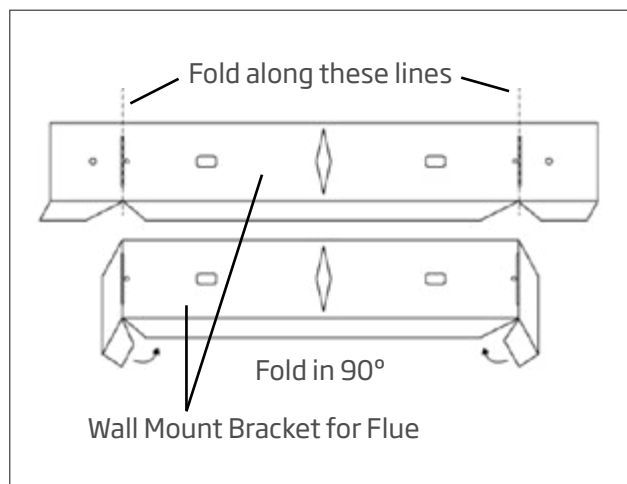


Figure 2

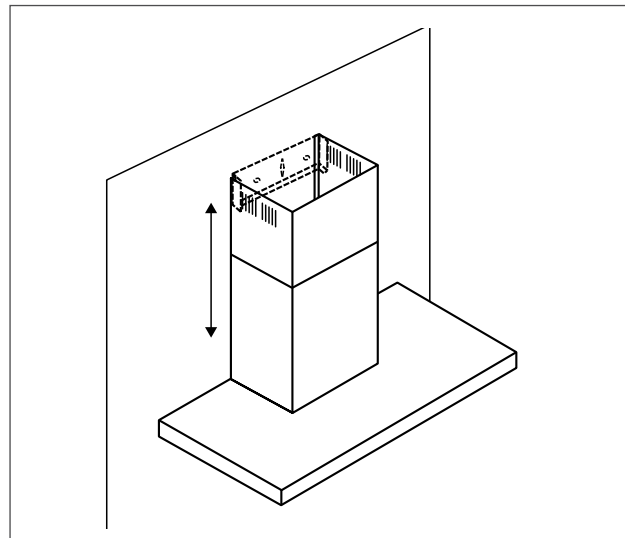
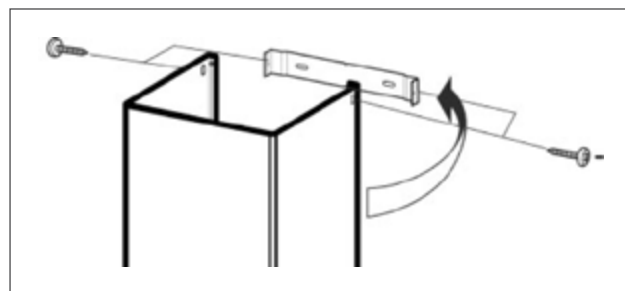


Figure 3

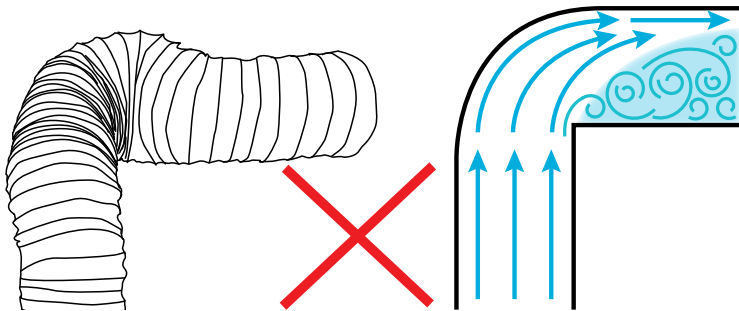


#### IMPORTANT

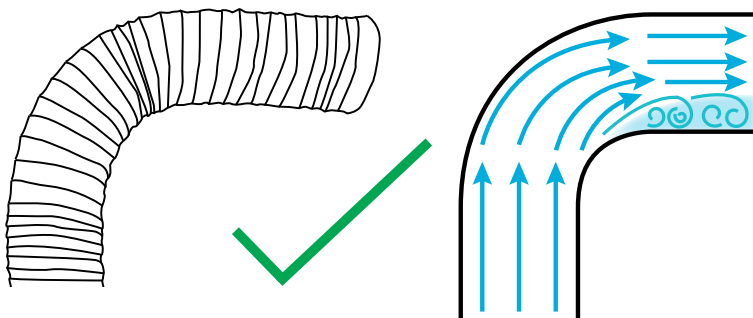
Please ensure all plastic protection on the rangehood and filters are removed before use.

## >> INSTALLATION

Please **DO NOT** crush or kink the ducting.



1. Crushed or kinked ducting creates sharp corners that creates turbulence. This reduces the size and efficiency of the ducting, lowers extraction and may cause excessive noise.



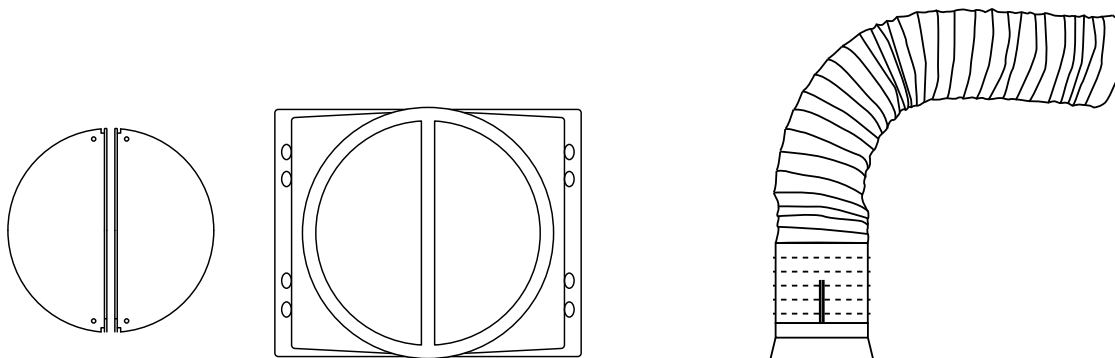
2. Sweeping curves and taut ducting reduces resistance and turbulence. The airflow and extraction will be more efficient and stronger.

### BACK DRAFT FINS (FOR APPLICABLE MODELS)

Should your Back Draft Fins get stuck, this is not a warranty issue.

When installing Back Draft Fins, please ensure that you insert the Back Draft Fins onto the back draft base, which are attached to the top of the motor outlet before installation.

**NOTE:** Please make sure when ducting is installed, that it does not impede the Back Draft Fins from operation.



Back Draft Fins

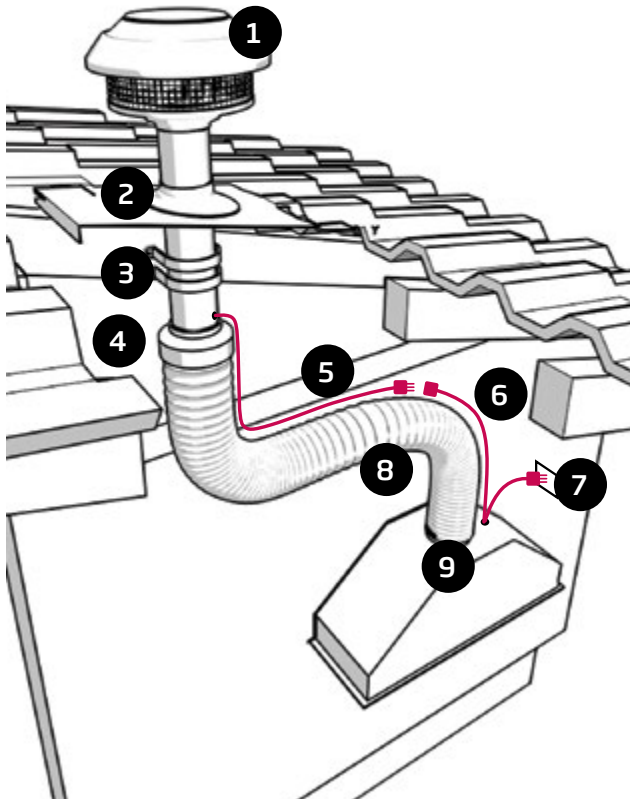
Back Draft Base

Back Draft Fins  
open position

For technical support, please contact **1300 881 693**.

## >> INSTALLATION

### SYSTEM OVERVIEW



Pictures are for illustrative purposes only, not to scale.

1. Isodrive® Motor
2. Roof Seal Kit (Dektite) (Not Supplied)\*
3. Support Straps (Not Supplied)\*
4. Attach Flexi Duct to Bell-Mouth Adaptor using ring clamp. Please **DO NOT** rip the ducting.
5. Isodrive® Motor Power Lead (Male Plug)
6. Rangehood to Isodrive® Motor Lead (Female Plug)
7. Main Power Lead (Male Plug, 10 Amp)
8. Flexi Ducting must be pulled taut. **DO NOT** crush or kink the ducting.
9. Connect flexi ducting to the outlet on rangehood using ring clamp. Please **DO NOT** rip the ducting.



#### Note

\* The Isodrive® motor system does not include the roof seal kit, ring clamp or the support straps.



#### Danger

All electrical wiring from the motor to the rangehood should be kept inside the roof space.



#### Note

Please see Isodrive® installation guide for motor installation information.

---

## >> TROUBLESHOOTING

---

### **COOKING WITH INDUCTION COOKTOPS**

Cooking with an induction (or similar) cooktop, may produce condensation on the rangehood.

Unlike basic electric or gas cooking, induction cooktops heat food and liquid instantly, which in turn, produces vapours rapidly. Because of the accelerated process, the rangehood filters do not have enough time to warm up, which increases the chance of condensation forming.

There are many variables that may contribute to condensation forming, some of which include but are not limited to:

- Variance in climate - geographical location.
- Position of your home & kitchen - morning/ afternoon sun.
- Distance from cooktop to the rangehood.
- Speed of food & liquid heating.
- Angle of ducting - an 'S' bend is preferred.
- Filter size - larger rangehood preferred, as it will have a larger filter extraction area.
- Quality of pots or cookware you are using - high quality is recommended.

### **How to reduce the possibility of condensation forming:**

- Ensure the rangehood is installed by a qualified professional, carefully following the installation guide.
- Turn on the rangehood 5-10 minutes prior to cooking, and leave on for 5-10 minutes after cooking; this helps clear remaining vapours from the flue.
- Start the cooking process at a low-to-medium setting and allow time for the rangehood to become warm.
- Clean filters regularly.
- Ensure constant airflow in the cooking zone; this helps optimise the rate of extraction.
- Follow all induction cooktop manufacturer's advice.
- Install at recommended height above induction cooktop.

For further tips or information regarding cooking with induction, please contact the induction cooktop manufacturer.

## >> TROUBLESHOOTING

Before you contact the technical service department, make sure that the product is plugged in and power is supplied.

- Do not take any action that will damage the product.



### IMPORTANT

Never attempt to repair this appliance by yourself. Always refer to a qualified Service Technician.

	Check electric connection. Voltage of the electric network should be between 220 - 240V, rangehood should be connected to grounded plug and turned on.	Check motor switch. Please ensure that there is power to the rangehood and the rangehood is switched on.	Check lamp switch. Lamp switch should be at on position.	Check filters. The filters should be washed regularly, see filter cleaning, page 14.	Light bulbs should be firmly in position.	Check light bulbs. Make sure they are not broken or faulty.	Please make sure there is no obstruction in ducting or with the back draft fins.	Check the outlet, make sure it is not blocked and you have the correct diameter ducting installed.	Check Isodrive® installation manual, make sure the flexi ducting is installed correctly, eg. Length of ducting used, keep the ducting taut.	Check the ducting has not come unattached from rangehood outlet or has been eaten through by rodents.
Rangehood does not work	X	X								
Light does not work	X		X		X	X				
Rangehood air exaction is weak				X			X	X	X	
Rangehood does not direct air out (through chimney)				X			X			
Loud noise from the rangehood								X	X	

---

## >> TROUBLESHOOTING

---

### SERVICE

#### Lodging an Online Service Request

In the event that the failure is not due to the faults mentioned in the Troubleshooting section, you can lodge an online Service Request. To lodge an online Service Request, visit our website [www.schweigen.com.au/service-and-warranty](http://www.schweigen.com.au/service-and-warranty) and click on the link and complete the service request form.

A service request will require the following information:

- The purchase date
- The model number
- The rangehood model and motor type (eg. Isodrive® 650)
- The serial number or batch number (this number is on a sticker inside the rangehood).
- A copy of the purchase receipt (without a receipt your service request cannot be processed).

Alternatively, you can call Customer Service:

**Australia** 1300 881 693

**New Zealand** 0800 200 510

### FAULTY INSTALLATION

It is not the responsibility of Schweigen to rectify any incorrect installations. A service call out fee will be charged for any Schweigen technician that attends a call, whereby it is established that the fault is due to an incorrect installation or non-manufacturing fault. Should the appliance be installed in such a way that the service agent is unable to gain access to the appliance, the person/s who own the premises or the property where the appliance resides – will be responsible to provide access to the appliance at their expense.

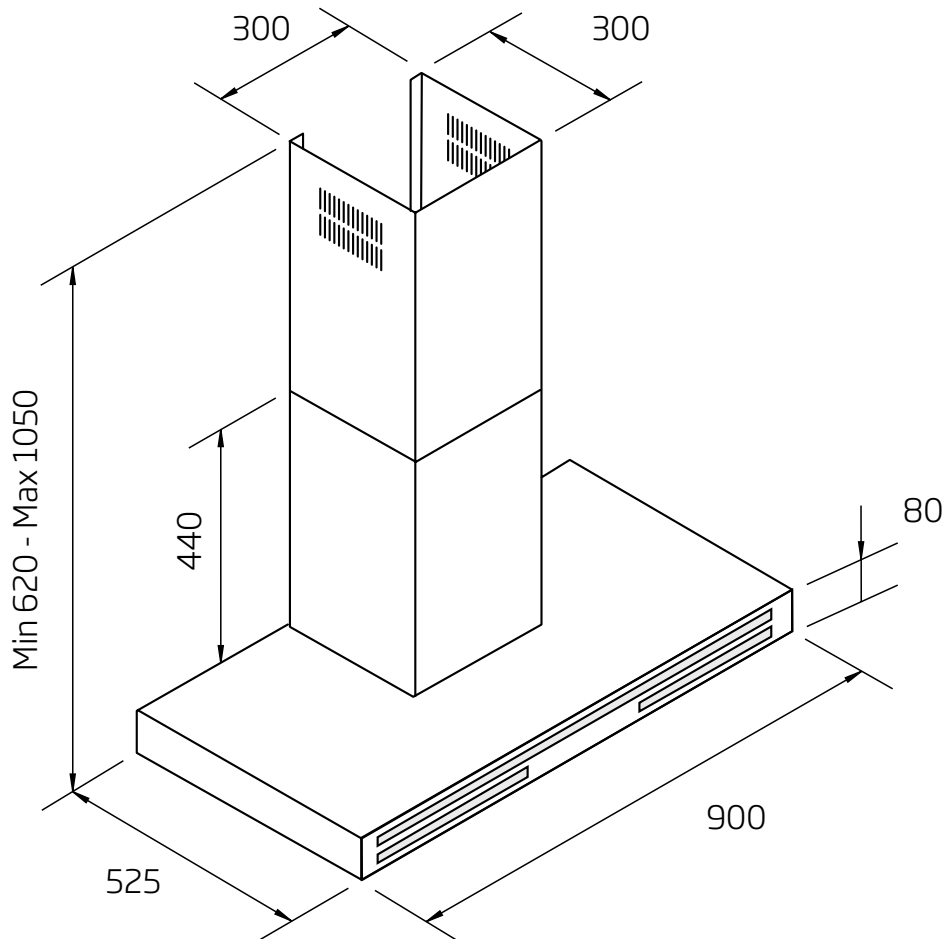


---

## >> TECHNICAL SPECIFICATIONS

---

### KLS-ALBW9S, KLS-ALBB9S



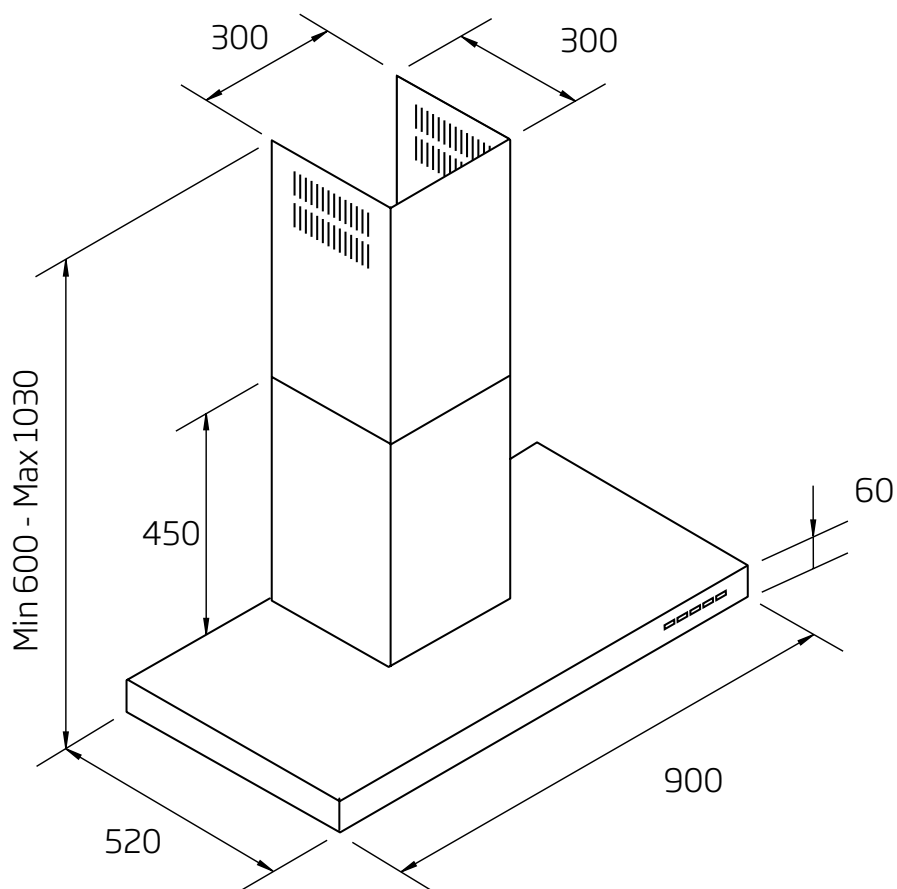
<b>Model:</b>	KLS-ALBW9S, KLS-ALBB9S
<b>Feeding Voltage:</b>	220-240V 50Hz
<b>Max Lamp Power:</b>	2 x GLED Square 55 x 55mm 2.1 Watts 12V 4000k 1 x Fluorescent Tube Double 860mm Capped 21W 12V

---

## >> TECHNICAL SPECIFICATIONS

---

### WM-LIN9S



**Model:** WM-LIN9S  
**Feeding Voltage:** 220-240V 50Hz  
**Max Lamp Power:** 2 x GLED Square 55 x 55mm  
2.1W 12V 4000k

---

## >> DISCLAIMER

---

Under our policy of continuous product development, product specifications may change without notice. Prospective purchasers should therefore check with the retailer to ensure this publication correctly describes the products being offered for sale. All information supplied is to be used for general reference purposes only and is on the understanding that Schweigen Home Appliances will not be liable for any loss, liability or damage of whatever kind arising as a result of any reliance upon such information. All pictures used in the guide are for illustrative purposes only.

Although our information and marketing states the term 'Silent' for certain models, the following applies to various models that are sold with certain Isodrive® Systems and baffle filters. When a model with the larger motored Isodrive® System is operated at the higher speed/s air movement may be heard. For example, while operating on speed 4 & 5 (For 5 speed models) the rangehood may be audible due to the large amount of air movement moving through the filters.

\*Please make sure that the rangehood and motor have been installed as per the corresponding instruction guides in order for optimal performance (the Isodrive® Motor Manual can be found with the Isodrive® Motor, or online at [schweigen.com.au](http://schweigen.com.au)).

Schweigen Home Appliances has presented this information in good faith to all their retailers and distributors to convey before any/all purchase/s. Information is supplied upon the condition that the person/s receiving the information will make their own determination as to its suitability for their purpose/s prior to use. In no event will Schweigen Home Appliances be responsible for damages of any nature whatsoever resulting from the use of, or reliance upon, information from their website or the products to which the information refers.

### DISPOSAL OF OLD APPLIANCES

Electronic waste (or e-waste) including kitchen appliances are banned from direct disposal to landfill. E-waste contains hazardous materials, which can harm the environment and human health. Valuable materials contained in e-waste are lost when appliances, computers and other household electrical goods are sent to landfill.

Recycle your e-waste to:

- reduce landfill
- protect the air and waterways from harmful materials
- minimise consumption of raw materials to produce electronic products
- reduce greenhouse gases created in the production of new materials.

Kitchen appliances including Rangehoods and Ovens can only be disposed at approved recycling centres. Visit [www.recyclingnearlyou.com.au/whitegoods](http://www.recyclingnearlyou.com.au/whitegoods) for more information, or contact your local council or the store you purchased this appliance, for a list of approved recyclers.

---

© Schweigen Home Appliances Pty Ltd. 2021.

**Australia**

Unit 4/1-5 Lake Drive, Dingley Village, Victoria 3172

Phone: 1300 881 693

Email: [sales@schweigen.com.au](mailto:sales@schweigen.com.au)

**New Zealand**

5 Tolich Place, Henderson, Auckland 0610

Phone: 0800 200 510

Email: [info.parex@emerson.com](mailto:info.parex@emerson.com)

INSPIRING  
INNOVATIVE  
INTELLIGENT

[www.schweigen.com.au](http://www.schweigen.com.au)